

V2400 Divided and Undivided Steel Raceway INSTALLATION INSTRUCTIONS

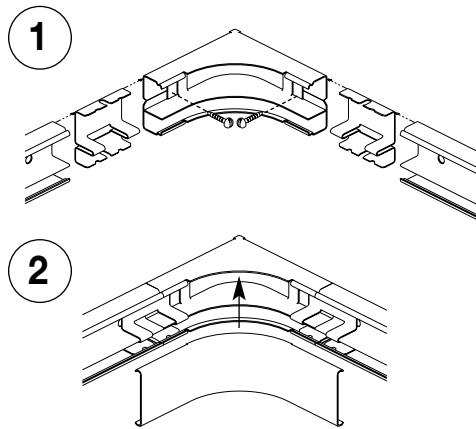
Wiremold® Electrical Systems conform with, and should be installed and properly grounded in compliance with requirements of the current National Electrical Code or codes administered by local authorities. All electrical products may represent a possible shock or fire hazard if improperly installed or used. Wiremold electrical products are UL Listed, made for interior use and should be installed by qualified electrical professionals in conformance with current local codes and/or the National Electrical Code.

Use #8 (5/16", [7.9mm] head size) flat head fastener or equivalent to mount base to surface.

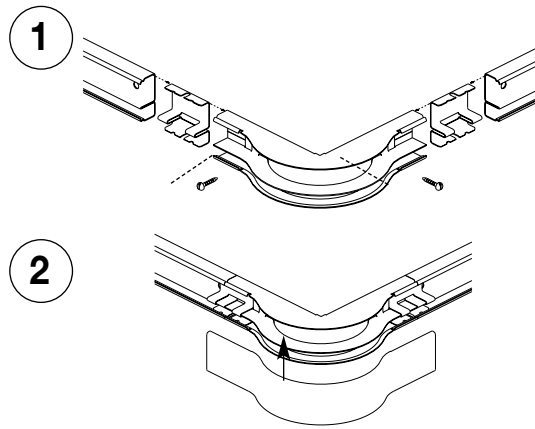
Utiliser une à tête plate de calibre 8 (tête de 7.9mm, 5/16" po.) ou une fixation équivalente pour assujettir le tube guide-fils et les raccords a la surface de montage.

Use un sujetador de cabeza plana No.8 (tamaño de cabeza: 7.9mm, 5/16" de pulgada) o su equivalente para unir la canalita y los accesorios a la superficie de montaje.

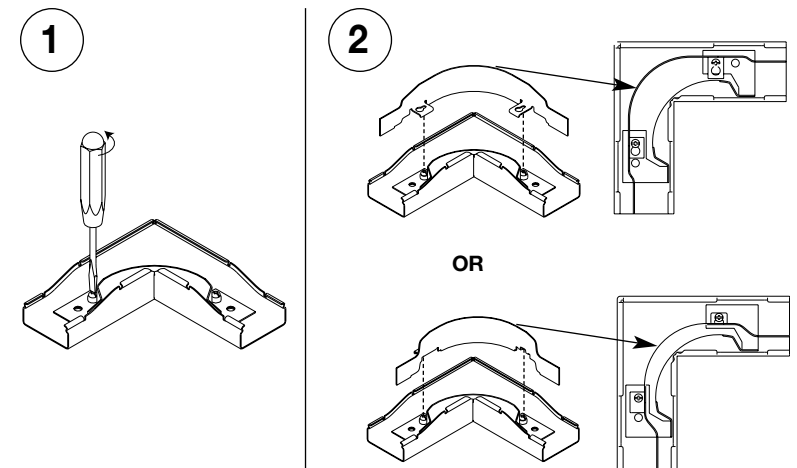
V2417DFO Divided FiberReady Internal Elbow



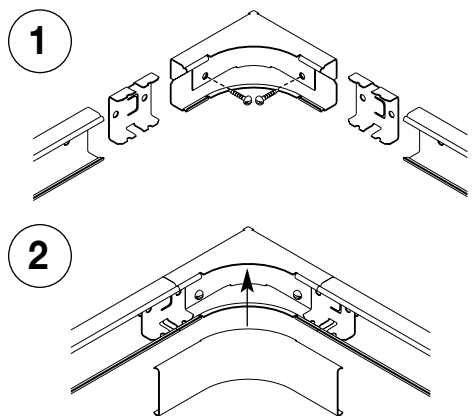
V2418DFO Divided FiberReady External Elbow



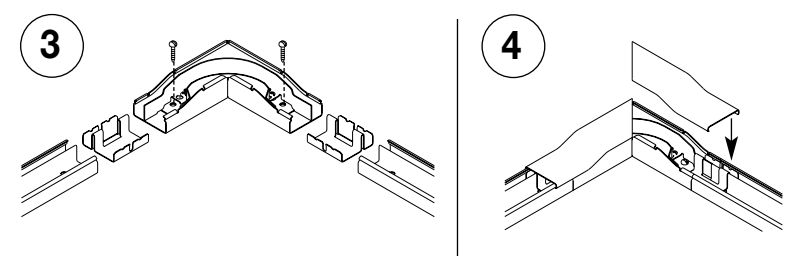
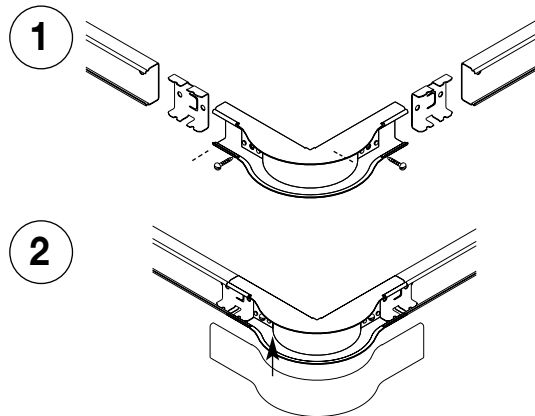
V2411DFO Divided FiberReady 90 Degree Flat Elbow



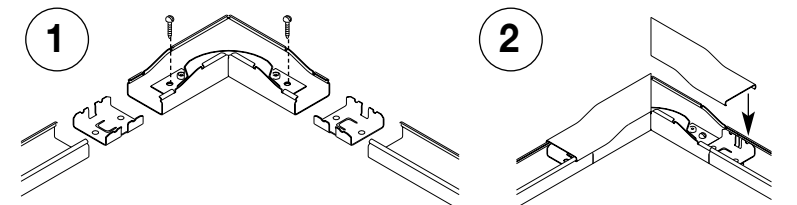
V2417FO Undivided FiberReady Internal Elbow



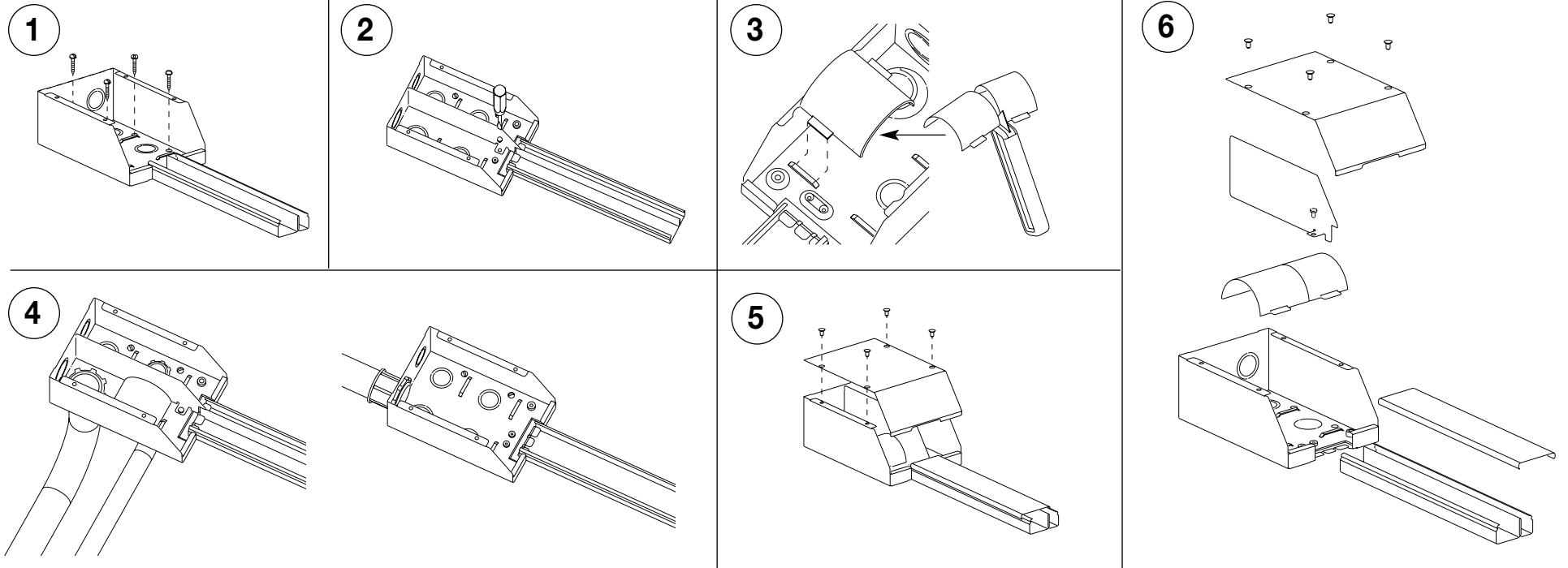
V2418FO Undivided FiberReady External Elbow



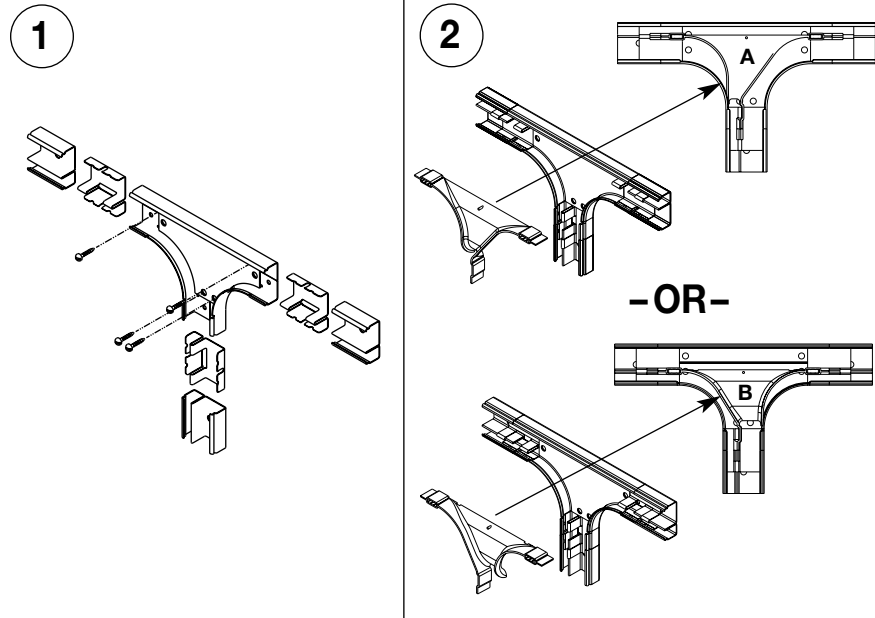
V2411FO Undivided FiberReady 90 Degree Flat Elbow



V2410DFO FiberReady™ Entrance End Fitting



V2415DFO Divided FiberReady™ Tee Fitting



V2415FO FiberReady™ Tee Fitting

