

# EOPC-100 Wireless RF PIR Occupancy Sensor

Self-powered extended range ceiling mount sensor

Photovoltaic panels power sensor; no batteries required

Reversible snap mounting disc



Transmitter for wireless communication with RF wall switches

Works with 1- and 2-relay RF wall switches

Adds energy code compliance without the need for rewiring

PROJECT

LOCATION/TYPE

## Product Overview

### Description

The EOPC-100 Wireless RF PIR Occupancy Sensor works with EOSW-100 Series RF Wall Switches to turn lights on and off based on occupancy. The sensor mounts on the ceiling and provides 360° passive infrared coverage.

### Operation

EOPC-100 wireless sensors operate on power supplied by two photovoltaic panels capable of reaching a full charge in 6 hours when the ambient light level is 20 footcandles (215 lux). Each sensor can be paired with multiple loads controlled by RF wall switches. Paired loads configured for automatic-on operation turn on when a sensor transmits an RF signal that it has detected occupancy. As long as the sensor detects occupancy it continues transmitting signals to the paired wall switch receivers. All paired loads turn off when no occupancy has been detected for the duration of the selected time delay.

### RF Communications

The EOPC-100 sensor includes a non-directional helical antenna, so the sensor does not need to be oriented in a specific direction during installation. The RF (radio frequency) communication range is approximately 50' to 100', depending on product placement.

### Applications

Wireless RF occupancy sensors are ideal for retrofit applications where it is difficult to install wiring to a ceiling mount sensor. The extended range EOPC-100 sensors are perfect for applications including small conference rooms, private offices, executives office, hallways and storage rooms. They detect minor motion up to 15' away and major motion up to 22' away when mounted at 8'. Coverage depends on a clear line of sight to the motion.

## Features

- Wireless RF occupancy sensors work with EOSW-100 Series RF wall switches
- Detection Signature Processing to eliminate false triggers and provide immunity to RFI and EMI
- Trim pot for sensitivity adjustment
- Test mode allows quick and easy set up
- Includes plate for mounting to single- or double-gang junction boxes or ceiling tile
- Reversible magnetic/adhesive disc for surface mounting
- Sensor coverage tested to NEMA Guide Publication WD 7-2000

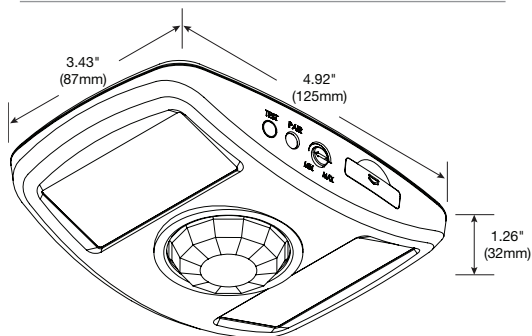


## Specifications

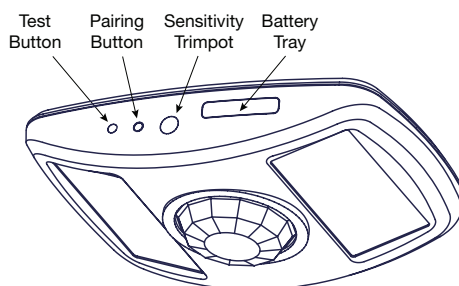
- Powered by 2 photovoltaic panels; operates for up to 72 hours in total darkness
- Photovoltaic panel operating range: 3-100 footcandles (32-1076 lux)
- Optional battery (CR2032, or equivalent)
- Multilevel Fresnel lens provides 360° coverage
- Adjustable PIR sensitivity
- Pairs with RF Wall Switch(es)
- Frequency: 902 MHz, helical antenna
- Mounting options: ceiling tile, junction box, surface mount (adhesive or magnetic)
- Operating conditions: for indoor use only; 32-131°F (0-55°C); 5-95% RH, non condensing
- UL and cUL listed
- FCC part 15 compliant
- Five year warranty

## Dimensions & Controls

### Dimensions

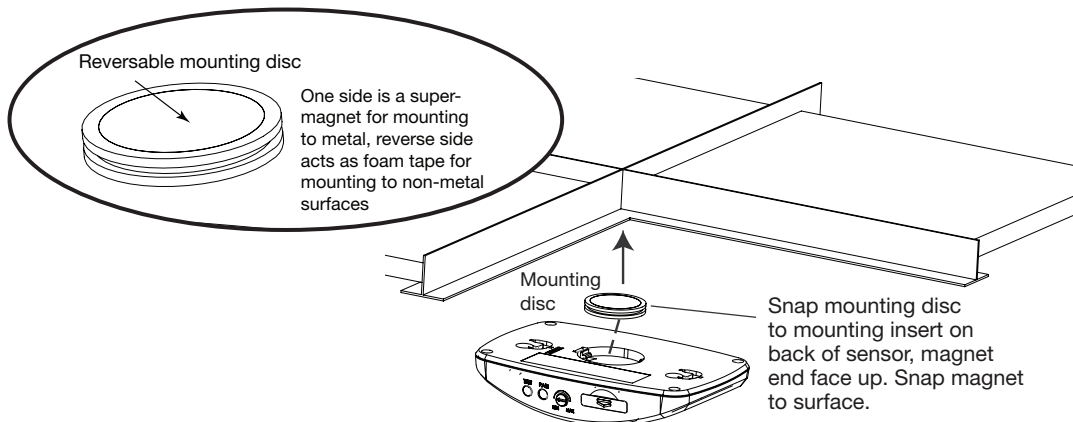


### Product Controls



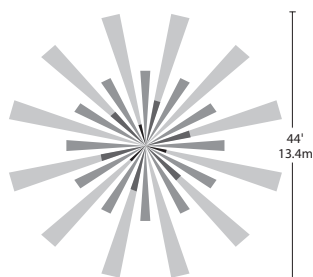
## Mounting

### Surface Mounting Options



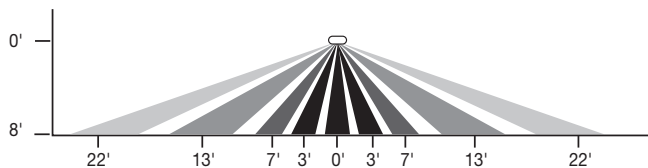
## Coverage

### Coverage Patterns



Major motion:  
Up to 44' diameter coverage when mounted at 8'

Minor motion:  
Up to 30' diameter coverage when mounted at 8'



## Ordering Information

Catalog No.	Color	Description	Coverage
<input type="checkbox"/> EOPC-100	White	Wireless self powered RF PIR occupancy sensor	360°; up to 1200 ft <sup>2</sup> (111.5 m <sup>2</sup> )
<input type="checkbox"/> EOKT-101-W	White	Wireless RF sensor 1 load kit (EOPC-100 and EOSW-101-W single relay RF wall switch, no neutral)	
<input type="checkbox"/> EOKT-102-W	White	Wireless RF sensor 2 load kit (EOPC-100 and EOSW-102-W dual relay RF wall switch, no neutral)	