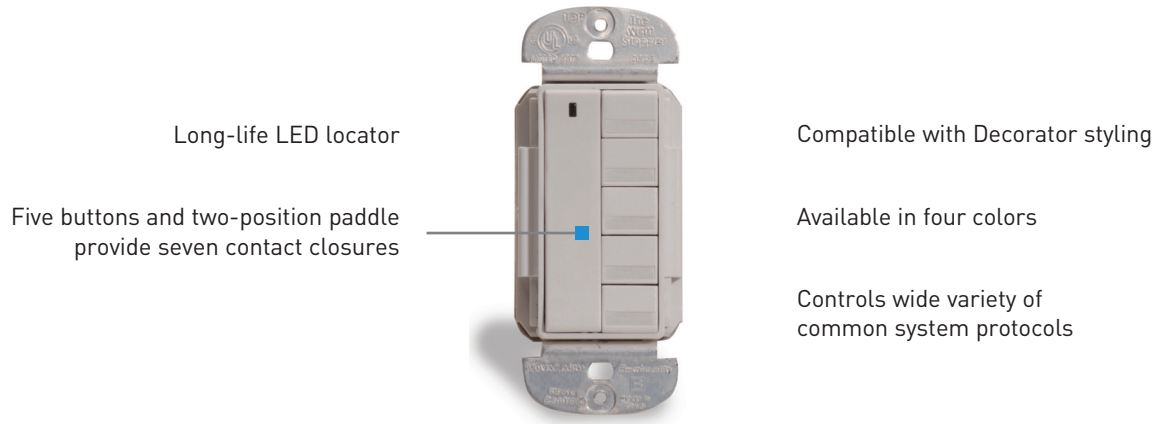


# DECORATOR SEVEN-BUTTON LOW VOLTAGE MOMENTARY SWITCH | DCC7



## Description

The Decorator Seven-button Low Voltage Momentary Switch (DCC7) features a raise/lower paddle and five buttons to control any device that requires multiple contact closures. It is available in four colors, and is compatible with other Decorator style products, including the DCC2 Low Voltage Momentary Decorator Switch with LED.

## Operation

The DCC7 controls up to seven contact points when each of its contacts are connected to the desired I/O board position. For example, when used in conjunction with compatible LED systems, specific buttons may be used to control specific colors, while the paddle may be used to cycle from one color to the next or serve as a master on/off. Since the DCC7 is typically wired to custom I/O boards, its setup is flexible.

## Features

- Five buttons and two-position paddle provide seven contact closure inputs
- Available in four colors, and is compatible with Decorator styling
- Each of the DCC7's nine 22 AWG wires are labeled for easy reference
- Long-life LED can function as either an indicator or pilot light
- Works with interface devices that use a variety of protocols, including DALI, DMX or RS485 via its two-wire momentary dry contact closures

## Ideal for Color-changing LED Systems

The DCC7's combination of economical control with maximum flexibility make it ideal for controlling multiple-color LED systems.

## Applications

The DCC7 controls any device that requires multiple contact closures, such as Wattstopper Lighting Integrator control panels, color-changing LED systems, electronically controlled shades, and devices that interface with DALI, DMX or RS485 products via dry contact closures. Additionally, its simple contact closure design provides a momentary on/off signal to many other devices, allowing it to initiate actions for other manufacturers' devices (e.g. LED or RGB lighting).

The DCC7 can also be used as a momentary switch for manual applications with Wattstopper sensors and power packs.

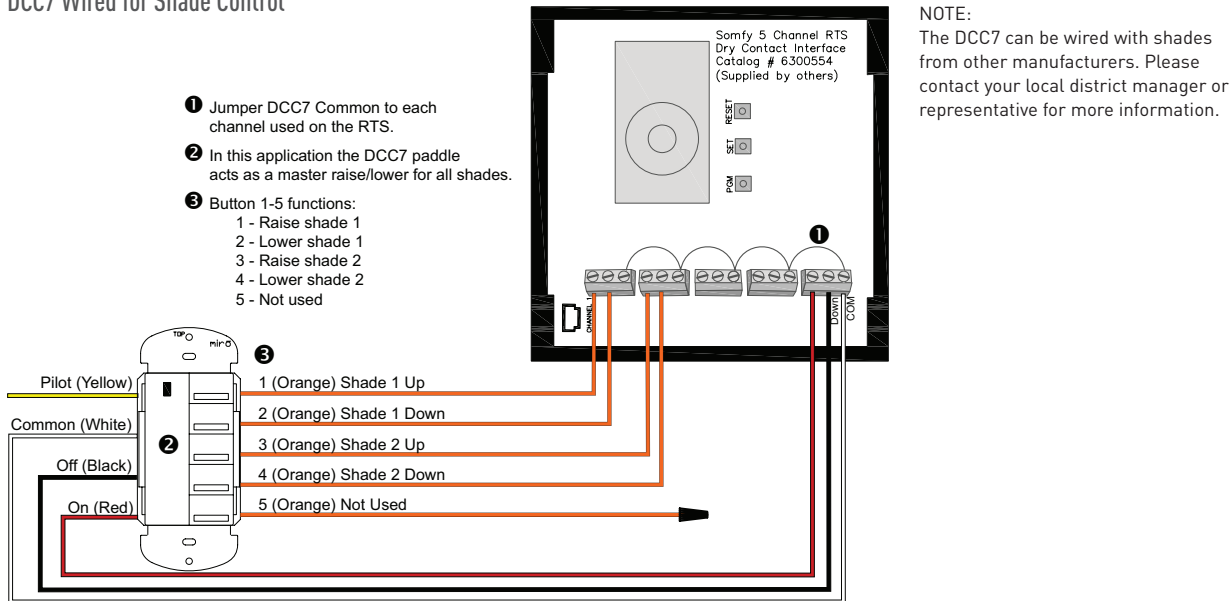
PROJECT	LOCATION/ TYPE

## Specifications

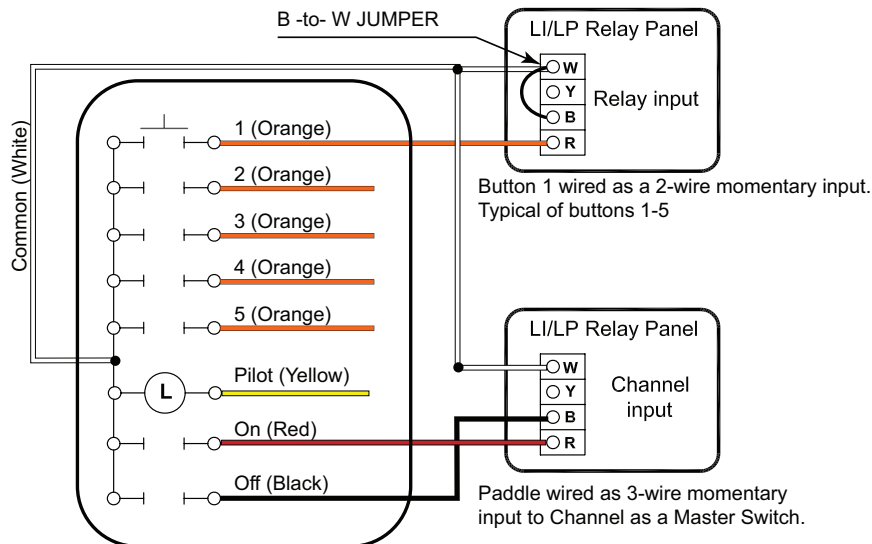
- 12VAC/VDC, 24V Rectified, 24VAC/VDC
- 50mA Max. Internal Contact rating
- 500mΩ resistance when closed
- Operating Conditions:  
Temperature: 32-104°F (0-40° C)  
Humidity: 0-80%, noncondensing
- Fits conventional decorator switch openings
- Dimensions: 2.64" x 1.75" x 1.98" (67.1mm x 44.5mm x 50.3 mm) L x W x D; depth in wall 1.65" (41.9mm)
- Five-year warranty

## Wiring Diagrams

### DCC7 Wired for Shade Control



### DCC7 with LP Peanut or LI Panel



## Ordering Information

Catalog #	Color	Description	Voltage/Power
<input type="checkbox"/> DCC7-A	Lt. Almond	Decorator Seven-button Low Voltage Momentary Switch	12VAC/VDC, 24V Rectified, 24VAC/VDC
<input type="checkbox"/> DCC7-B	Black		
<input type="checkbox"/> DCC7-I	Ivory		
<input type="checkbox"/> DCC7-W	White		