



Friendly Service ... Powerful Solutions™

Topaz Specification Sheet

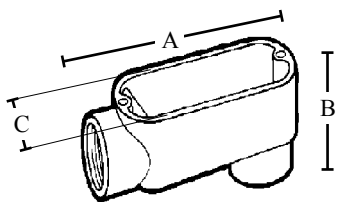
Description: Rigid Conduit Bodies, Malleable Iron LB Type

Standard Material: Malleable Iron

Standard Finish: Zinc Plated, Aluminum Enameled

Features: Tapered threaded hubs - NPT

Application: To provide access to conductors for pulling, splicing and maintenance



E195124

TOPAZ CAT #	A	B	C	Max No. Conductors	Internal Volume (in ³)
LB1M	4.56	2.06	1.31	---	4.5
LB2M	5.31	2.37	1.48	3#6 AWG	7.5
LB3M	6.25	2.63	1.75	3#4 AWG	12.5
LB4M	8.22	3.50	2.40	3#2 AWG	32.3
LB5M	8.22	3.75	2.40	3#1/0 AWG	35.3
LB6M	10.48	4.31	3.05	3#4/0 AWG	73
LB7M	13.75	4.45	4.38	3-300 MCM	138
LB8M	13.75	4.45	4.38	3-350 MCM	170
LB9M	16.75	5.80	5.63	3-500 MCM	300
LB10M	16.75	5.80	5.63	3-500 MCM	328

TOPAZ CAT #	UPC#	SIZE	SHIP CASE	WT/ CASE
LB1M	20940	1/2"	10	7
LB2M	20950	3/4"	10	9
LB3M	20960	1"	5	6
LB4M	20970	1 1/4"	5	23
LB5M	20980	1 1/2"	10	26
LB6M	20990	2"	5	26
LB7M	21000	2 1/2"	1	10
LB8M	21010	3"	1	13
LB9M	21020	3 1/2"	1	22
LB10M	21030	4"	1	24

Approved by Topaz Quality Control & Engineering



NEW YORK
925 Waverly Avenue
Holtsville, NY 11742
800-666-2852
Fax: 800-333-3488

CALIFORNIA
225 Parkside Drive
San Fernando, CA 91340
888-551-2852
Fax: 888-690-2852

FLORIDA
2020 West 26th Street
Jacksonville, FL 32209
800-666-2852
Fax: 800-333-3488



Friendly Service ... Powerful Solutions™

Topaz Specification Sheet

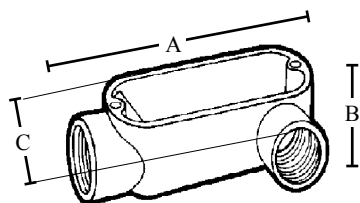
Description: Rigid Conduit Bodies, Malleable Iron LL Type

Standard Material: Malleable Iron

Standard Finish: Zinc Plated, Aluminum Enameled

Features: Tapered threaded hubs - NPT

Application: To provide access to conductors for pulling, splicing and maintenance



TOPAZ CAT #	A	B	C	Max No. Conductors	Internal Volume (in ³)
LL1M	4.56	1.31	2.06	-	4.5
LL2M	5.31	1.62	2.23	3#6	7.5
LL3M	6.25	1.88	2.50	3#4	12.5
LL4M	8.22	2.50	3.40	3#2	32.3
LL5M	8.22	2.67	3.48	3#1/0	35.3
LL6M	10.48	3.29	4.07	3#4/0	73
LL7M	13.6094	3.9063	5.718	3-300MCM	138
LL8M	13.875	4.75	5.875	3-350MCM	170
LL9M	16.50	6.8125	7.125	3-50MCM	300
LL10M	16.50	7.1875	7.125	3-350MCM	328

TOPAZ CAT #	UPC#	SIZE	SHIP CASE	WT/ CASE
LL1M	21140	1/2"	10	7
LL2M	21150	3/4"	10	9
LL3M	21160	1"	5	6
LL4M	21170	1 1/4"	5	23
LL5M	21180	1 1/2"	10	26
LL6M	21190	2"	5	26
LL7M	21200	2 1/2"	1	10
LL8M	21210	3"	1	13
LL9M	21220	3 1/2"	1	22
LL10M	21230	4"	1	24

Approved by Topaz Quality Control & Engineering



NEW YORK
925 Waverly Avenue
Holtsville, NY 11742
800-666-2852
Fax: 800-333-3488

CALIFORNIA
225 Parkside Drive
San Fernando, CA 91340
888-551-2852
Fax: 888-690-2852

FLORIDA
2020 West 26th Street
Jacksonville, FL 32209
800-666-2852
Fax: 800-333-3488



Topaz Specification Sheet

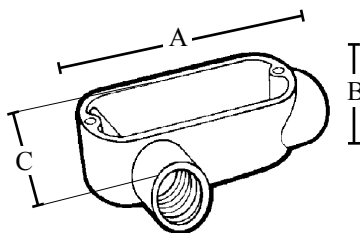
Description: Rigid Conduit Bodies, Malleable Iron LR Type

Standard Material: Malleable Iron

Standard Finish: Zinc Plated, Aluminum Enameled

Features: Tapered threaded hubs - NPT

Application: To provide access to conductors for pulling, splicing and maintenance



E195124

TOPAZ CAT #	A	B	C	Max No. Conductors	Internal Volume (in ³)
LR1M	4.56	1.31	2.06	-	4.5
LR2M	5.31	1.62	2.23	3#6	7.5
LR3M	6.25	1.88	2.50	3#4	12.5
LR4M	8.22	2.50	3.40	3#2	32.3
LR5M	8.22	2.67	3.48	3#1/0	35.3
LR6M	10.48	3.29	4.07	3#4/0	73
LR7M	13.75	4.45	4.38	3-300MCM	138
LR8M	13.75	4.45	4.38	3-350MCM	170
LR9M	16.75	5.80	5.63	3-350MCM	300
LR10M	16.75	5.80	5.63	3-350MCM	328

TOPAZ CAT #	UPC#	SIZE	SHIP CASE	WT/ CASE
LR1M	21340	1/2"	10	7
LR2M	21350	3/4"	10	9
LR3M	21360	1"	5	6
LR4M	21370	1 1/4"	5	23
LR5M	21380	1 1/2"	10	26
LR6M	21390	2"	5	26
LR7M	21400	2 1/2"	1	10
LR8M	21410	3"	1	13
LR9M	21420	3 1/2"	1	22
LR10M	21430	4"	1	24

Approved by Topaz Quality Control & Engineering



NEW YORK
925 Waverly Avenue
Holtsville, NY 11742
800-666-2852
Fax: 800-333-3488

CALIFORNIA
225 Parkside Drive
San Fernando, CA 91340
888-551-2852
Fax: 888-690-2852

FLORIDA
2020 West 26th Street
Jacksonville, FL 32209
800-666-2852
Fax: 800-333-3488



Topaz Specification Sheet

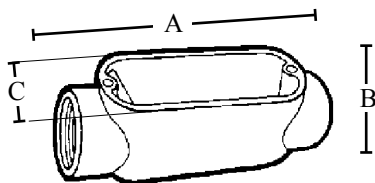
Description: Rigid Conduit Bodies, Malleable Iron C Type

Standard Material: Malleable Iron

Standard Finish: Zinc Plated, Aluminum Enameled

Features: Tapered threaded hubs - NPT

Application: To provide access to conductors for pulling, splicing and maintenance



E195124

TOPAZ CAT #	A	B	C	Max No. Conductors	Internal Volume (in ³)
C1M	5.35	1.31	1.31	-	4.5
C2M	6.00	1.62	1.48	3#6	7.5
C3M	7.06	1.88	1.75	3#4	12.5
C4M	9.25	2.50	2.40	3#2	32.3
C5M	9.25	2.67	2.40	3#1/0	35.3
C6M	11.50	3.29	3.05	3#3/0	73
C7M	15.00	3.9063	4.312	3-250MCM	138
C8M	15.125	4.75	4.312	3-250MCM	170
C9M	18.125	5.1875	4.875	3-350MCM	300
C10M	18.125	5.5625	4.875	3-350MCM	328

TOPAZ CAT #	UPC#	SIZE	UNIT CTN	SHIP CASE	WT/ CASE
C1M	20000	1/2"	-	10	7
C2M	20010	3/4"	-	10	23
C3M	20020	1"	-	5	6
C4M	20030	1 1/4"	-	10	23
C5M	20040	1 1/2"	-	10	26
C6M	20050	2"	-	5	26
C7M	20051	2 1/2"	-	5	10
C8M	20052	3"	-	1	12
C9M	20053	3 1/2"	-	1	21
C10M	20054	4"	-	1	23

Approved by Topaz Quality Control & Engineering



NEW YORK
925 Waverly Avenue
Holtsville, NY 11742
800-666-2852
Fax: 800-333-3488

CALIFORNIA
225 Parkside Drive
San Fernando, CA 91340
888-551-2852
Fax: 888-690-2852

FLORIDA
2020 West 26th Street
Jacksonville, FL 32209
800-666-2852
Fax: 800-333-3488



Topaz Specification Sheet

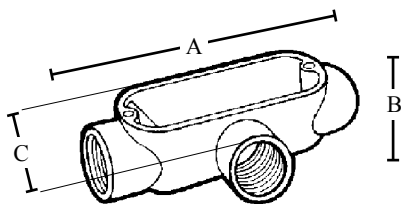
Description: Rigid Conduit Bodies, Malleable Iron T Type

Standard Material: Malleable Iron

Standard Finish: Zinc Plated, Aluminum Enameled

Features: Tapered threaded hubs - NPT

Application: To provide access to conductors for pulling, splicing and maintenance



TOPAZ CAT #	A	B	C	Max No. Conductors	Internal Volume (in ³)
T1M	5.35	1.31	2.02	-	6
T2M	6.00	1.62	2.22	3#6	9.5
T3M	7.06	1.88	2.56	3#4	15
T4M	7.25	2.50	3.50	3#2	33
T5M	9.25	2.67	3.50	3#1	36
T6M	11.50	3.29	4.25	3#2/0	75
T7M	15.00	3.9375	5.718	3#4/0	138
T8M	15.125	4.75	8.875	3#4/0	170
T9M	18.125	5.2031	6.812	3 350MCM	300
T10M	18.125	5.5625	7.203	3 350MCM	328

TOPAZ CAT #	UPC#	SIZE	SHIP CASE	WT/ CASE
T1M	21830	1/2"	10	7
T2M	21840	3/4"	10	10
T3M	21850	1"	5	16
T4M	21860	1 1/4"	5	28
T5M	21870	1 1/2"	2	29
T6M	21880	2"	1	12
T7M	21890	2 1/2"	1	12
T8M	21900	3"	1	15
T9M	21910	3 1/2"	1	27
T10M	21920	4"	1	28

Approved by Topaz Quality Control & Engineering



NEW YORK
925 Waverly Avenue
Holtsville, NY 11742
800-666-2852
Fax: 800-333-3488

CALIFORNIA
225 Parkside Drive
San Fernando, CA 91340
888-551-2852
Fax: 888-690-2852

FLORIDA
2020 West 26th Street
Jacksonville, FL 32209
800-666-2852
Fax: 800-333-3488

Conduit Bodies

Rigid TB Type

Features

- Tapered threaded hubs-NPT
- Suitable for use in concrete

Application

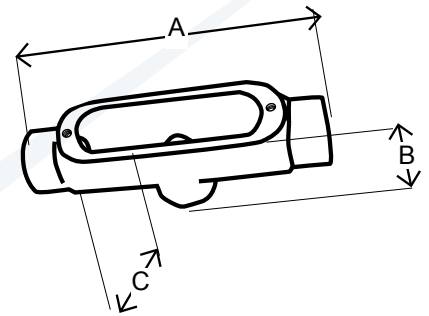
- To provide access to conductors for pulling, splicing and maintenance

Standard Material

- Malleable Iron

Standard Finish

- Zinc Plated
- Aluminum enameled



Topaz Cat. No.	UPC	Trade Size	Ship Case	Weight Case	A	B	C	Max. No. of Conductors	Internal Volume (in ³)
TB1M	17545	1/2"	10	9	5-1/4"	1-15/16"	1-15/16"	-	5.6
TB2M	17546	3/4"	10	11	6-1/16"	1-9/16"	1-9/16"	3#6	9.5
TB3M	17547	1"	10	21	7-1/8"	1-13/16"	1-13/16"	3#4	15
TB4M	17548	1-1/4"	5	17.5	9-5/16"	2-7/16"	3-3/4"	3#2	33
TB5M	17549	1-1/2"	5	21	9-5/16"	2-7/16"	3-3/4"	3#1	36
TB6M	17550	2"	2	13.8	11-13/16"	3-13/16"	4-1/8"	3#2/0	75

Conduit Bodies

Rigid X Type

Features

- Tapered threaded hubs-NPT
- Suitable for use in concrete

Application

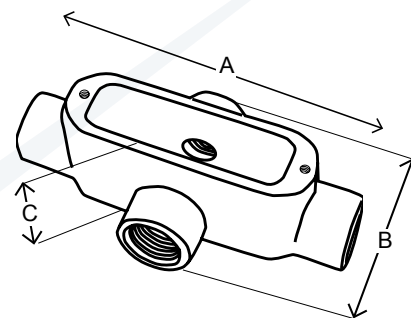
- To provide access to conductors for pulling, splicing and maintenance

Standard Material

- Malleable Iron

Standard Finish

- Zinc Plated
- Aluminum enameled



Topaz Cat. No.	UPC	Trade Size	Ship Case	Weight Case	A	B	C	Max. No. of Conductors	Internal Volume (in ³)
X1M	17551	1/2"	10	14	5-1/4"	2-13/16"	1-3/4"	-	5.6
X2M	17552	3/4"	10	18	6-1/16"	2-15/16"	2"	3#6	9.5
X3M	17553	1"	10	25	7-1/8"	3-9/16"	2-1/4"	3#4	15
X4M	17554	1-1/4"	5	23	9-1/8"	4-7/16"	2-9/16"	3#2	33
X5M	17555	1-1/2"	5	26	9-1/8"	4-7/16"	2-3/4"	3#1	36
X6M	17556	2"	2	17	11-3/4"	5-3/8"	3-7/16"	3#2/0	75