

5100 Series Horizontal or Vertical Mounted Fan Forced Unit Heater

Recommended Control Options, Control Accessory Options, & Control Accessories

MFG MODEL NUMBER	DISCONNECT SWITCH		THERMOSTAT		SUMMER FAN SWITCH		THERMOSTAT & SUMMER FAN SWITCH WALL MOUNTED	STRATIFICATION THERMOSTAT	
	1 Ø	3 Ø	IN-BUILT	WALL MOUNTED	IN-BUILT	WALL MOUNTED		IN-BUILT	WALL MOUNTED
F1F5103N	DCS 202	NA	T5100	ET5SS	FS5101	FSW5111	NA	TC5103	TC1602
HF1B5103N									
F2F5103N	NA	DCS 403	T5102	TW 1512	FS5101	FSW5111	NA	TC5103	TC1602
HF2B5103N	DCS 202	NA	T5100	ET 5SS					
G1G5103N	DCS 202	NA	T5100	ET5SS	FS5102	FSW5112	TFS5101	NA	TC5102
P3P5103CA1N	NA	DCS 403		RK120EAA					
F1F5105N	DCS 403	NA	T5102	TW 1512	FS5101	FSW5111	NA	TC5103	TC1602
HF1B5105N									
F2F5105N	NA	DCS 403	T5100	ET5SS	FS5101	FSW5111	NA	TC5103	TC1602
HF2B5105N	DCS 403	NA	T5102	TW 1512					
G1G5105N	DCS 403	NA	T5100	S2025	FS5102	FSW5112	TFS5101	NA	TC5102
P3P5105CA1N	NA	DCS 403		RK120EAA					
F2F5107CA1L	DCS 403	NA	T5100	RK120EAA	FS5101	FSW5111	TFS5101	TC5103	TC1602
HF2B5107CA1L	NA	DCS 403							
G1G5107CA1L	DCS 403	NA	T5100	RK120EAA	FS5102	FSW5112	TFS5101	NA	TC5102
P3P5107CA1L	NA	DCS 403							
F2F5110CA1L	DCS 603	NA	T5100	RK120EAA	FS5101	FSW5111	TFS5101	TC5103	TC1602
HF2B5110CA1L	NA	DCS 403							
G1G5110CA1N	DCS 603	NA	T5100	RK120EAA	FS5102	FSW5112	TFS5101	NA	TC5102
P3P5110CA1N	NA	DCS 403							
F3F5115CA1L	DCS 603	NA	T5100	RK120EAA	FS5101	FSW5111	TFS5101	TC5103	NA
HF3B5115CA1L	NA	DCS 403							
P3P5115CA1L	DCS 603	NA	T5100	RK120EAA	FS5102	FSW5112	TFS5101	TC5103	NA
HF3B5120CA1L	NA	DCS 403							
P3P5120CA1N	DCS 603	NA	T5100	RK120EAA	FS5101	FSW5111	TFS5101	TC5103	NA
F3F5125CA1L	DCS 1003	NA							
HF3B5125CA1L	DCS 403	NA	T5100	TW123	FS5102	FSW5112	TFS5101	TC5103	NA
P3P5125CA1N	NA	DCS 1003							
F3F5130CA1L	DCS 1003	NA	T5100	TW123	FS5101	FSW5111	TFS5101	TC5103	NA
HF3B5130CA1L	DCS 603	NA							
P3P5130CA1N	DCS 603	NA	T5100	TW123	FS5102	FSW5112	TFS5101	TC5103	NA
F3F5140CA1L	NA	DCS 603							
HF3B5140CA1L	DCS 603	NA	T5100	TW123	FS5101	FSW5111	TFS5101	TC5103	NA
P3P5140CA1N	NA	DCS 603							
F3F5150CA1L	NA	DCS 603	T5100	TW123	FS5102	FSW5112	TFS5101	TC5103	NA
HF3B5150CA1L	DCS 603	NA							
P3P5150CA1N	DCS 1003	NA	T5100	TW123	FS5101	FSW5111	TFS5101	TC5103	NA
F3F5150CA1L	NA	DCS 1003							

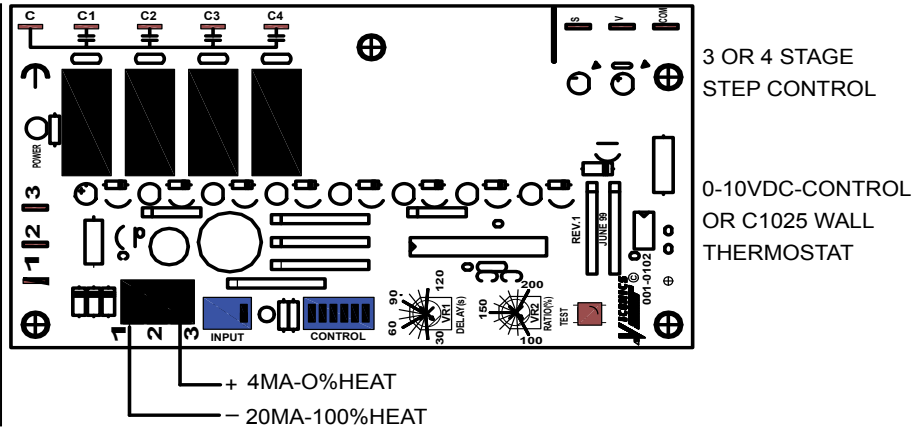
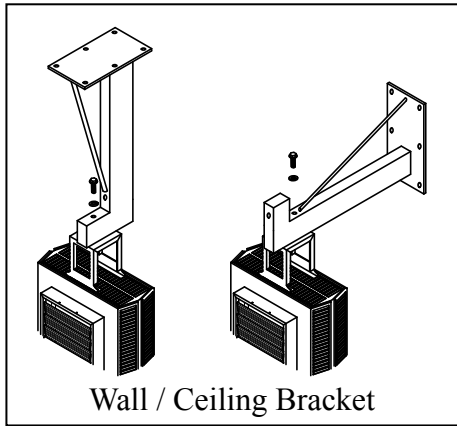
CONTROL ACCESSORY OPTIONS - FIELD INSTALLED IN HEATER		
MFG CATALOG NUMBER	MFG MODEL NUMBER	DESCRIPTION
POWER DISCONNECT SWITCH*		
07171502	DCS202 / 5100	20 AMP; 0-16 Amps
07171602	DCS403 / 5100	40 AMP; 16.1-32 Amps
07171702	DCS603 / 5100	60 AMP; 32.1-48 Amps
07171802	DCS1003 / 5100	100 AMP; 48.1-80 Amps
*Disconnect must be rated at 80% of total amload.		
LINE VOLTAGE THERMOSTAT		
06927702	T5100	SPST; LINE DUTY 25 AMP, 120-277V, (40-100 °F)
06927802	T5102	DPST; LINE DUTY 25 AMP 120-277V 25 AMP, 120-277V, (60-120 °F)
LOW VOLTAGE THERMOSTAT (ALL CA1 MODELS) (45 - 90 °F)		
06927702	T5100	SPST; LOW VOLT/PILOT DUTY; 125VA; (3.3-20 KW UNITS)
06927902	T5122	2-STAGE; LOW VOLT; 125VA; (25-50 KW UNITS)
STRATIFICATION THERMOSTAT		
06928002	TC5102	SPST; LOW VOLT/PILOT DUTY (W/RELAY) ; 70-130°
06928102	TC5103	SPST; LINE DUTY; AMP 120-240V; 70-130°
SUMMER FAN SWITCH		
06928202	FS5101	SPST; LINE VOLT ;120-277V
06928302	FS5102	SPST; LINE VOLT ; 480-600V

CONTROL ACCESSORIES - REMOTE WALL MOUNTED		
MFG CATALOG NUMBER	MFG MODEL NUMBER	DESCRIPTION
LINE VOLTAGE THERMOSTAT		
05029102	S2025H10AA**	SP; 25 Amp; 120-277V; 50-90°F
05387802	ET5SS**	SP; 22 Amp; 120-277V; 50-90°F
06910902	TW1512*	DPST; 25 AMP; 120-277V; 50-90°F
LOW VOLTAGE THERMOSTAT (ALL CA1 MODELS)		
02600002	RK120EAA	24VAC or MV; 50°-90°F
06911102	TW123	2-STAGE; (25 - 50 KW UNITS); 40-90°F
STRATIFICATION THERMOSTAT		
06911002	TC1602	SPST; LINE VOLT; 120-277V; 70-140°
SUMMER FAN SWITCH		
06926202	FSW5111	SPST; LINE VOLT; 120-277V
06926302	FSW5112	SPST; LOW VOLT; (W/RELAY)
LOW VOLTAGE THERMOSTAT & SUMMER FAN SWITCH(W/RELAY) (CA1 MODELS)		
06926402	TFS5101	SPST; LOW VOLT; 50-90°
06926502	TFS5102	2-STAGE; LOW VOLT; 50-90°

**Any SPST thermostat of sufficient amperage may be substituted.
 *Use DPST double line break thermostat for 3-phase line voltage control in non "C" models.

5100 Series 60 KW - 100 KW Suspended Fan Forced Unit Heater

Optional Factory Installed Electronic Step Controller



Electrical Data

MFG CATALOG NUMBER	MFG MODEL NUMBER	KW	BTUs / HR (x 1000)	VOLTS	PHASE	CONTROL VOLTAGE	AMPS / PHASE	BRANCH CIRCUIT PROTECTION SIZE
07213402	F3F5160CA1	60	204.7	208	3	24	166.7	225
07213502	HF3B5160CA1	60/45	204.7/153.6	240/208			144.6/125	200/175
07213602	P3P5160CA1	60	204.7	480			72.3	100
07214202	F3F5170CA1	70	238.9	208	3	24	194.4	250
07214302	HF3B5170CA1	70/52.5	238.9/179.2	240/208			168.7/145.8	225/200
07214402	P3P5170CA1	70	238.9	480			84.3	110
07217002	HF3B5180CA1	80/60	273/204.7	240/208	3	24	192.8/166.7	250/225
07217102	P3P5180CA1	80	273	480			96.3	125
07217602	HF3B5190CA1	90/67.5	307.1/230.4	240/208			216.9/187.5	300/250
07217702	P3P5190CA1	90	307.1	480	3	24	108.4	150
07218202	HF3B51100CA1	100/75	341.3/256	240/208			241/208.3	350/300
07218302	P3P51100CA1	100	341.3	480			120.4	175

Air Delivery Data

MFG CATALOG NUMBER	MFG MODEL NUMBER	CFM at OUTLET	FPM at OUTLET	TEMP RISE °F	HP	MOTOR RPM	AIR THROW	MAX MOUNTING	
								Horizontal	Vertical
07213402	F3F5160CA1	3400	1485	60	1/3	1100	50'	18'	31'
07213502	HF3B5160CA1			60/45					
07213602	P3P5160CA1			60					
07214202	F3F5170CA1			70					
07214302	HF3B5170CA1			70/53					
07214402	P3P5170CA1			70					
07217002	HF3B5180CA1	5000	1529	55/41	3/4	1100	65'	22'	40'
07217102	P3P5180CA1			55					
07217602	HF3B5190CA1			61/46					
07217702	P3P5190CA1			61					
07218202	HF3B51100CA1			68/51					
07218302	P3P51100CA1			68					

Recommended Control Options

MFG CATALOG NUMBER	MFG MODEL NUMBER	STEP CONTROLLER	REMOTE THERMOSTAT	SUMMER FAN SWITCH		STRATIFICATION THERMOSTAT	
				Wall	Built-In	Wall	Built-In
				CATALOG/ MODEL	CATALOG/ MODEL	CATALOG/ MODEL	CATALOG/ MODEL
07213402	F3F5160CA1	05232302 SC5100	44046001 C1025	06926302 FSW5112	FS5101	06926402 TFS5101	06928002 TC5102
07213502	HF3B5160CA1				FS5101		
07213602	P3P5160CA1				FS5102		
07214202	F3F5170CA1				FS5101		
07214302	HF3B5170CA1				FS5101		
07214402	P3P5170CA1				FS5102		
07217002	HF3B5180CA1				FS5101		
07217102	P3P5180CA1				FS5102		
07217602	HF3B5190CA1				FS5101		
07217702	P3P5190CA1				FS5102		
07218202	HF3B51100CA1				FS5101		
07218302	P3P51100CA1				FS5102		