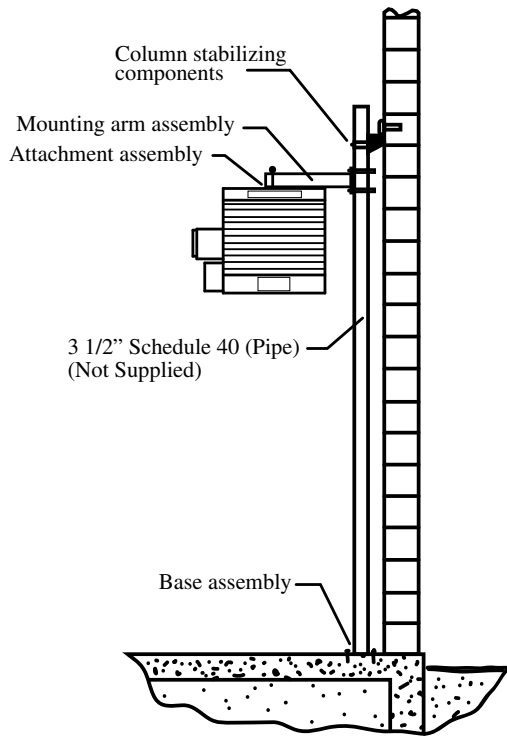


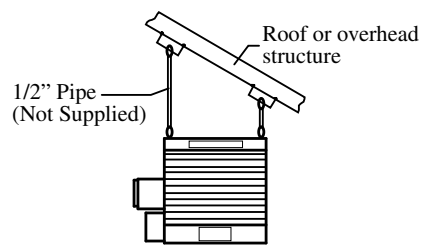
# HLA Series Hazardous Location Fan Forced Unit Heater

## Mounting Bracket Kits



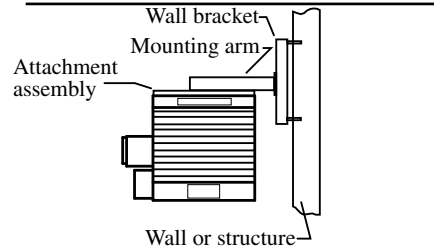
### HLPM Pipe Mounting Kit

Particularly useful in buildings with insufficient strength to use other types of mounts. Requires 3 1/2" pipe (4" O.D. - not supplied).



### HLHM Hanging Mounting Kit

Simple and economical if adequate overhead structure exists. Requires 1/2" pipe, cut and threaded (not supplied).



### HLWM Wall Mounting Kit

Ideal for use in buildings that have substantial walls. Arm only can also be bolted directly to structural steel.

MFG CATALOG NUMBER	MFG MODEL NUMBER	USE WITH HEATERS	WT. (LBS)
07342802	HLPM37	3.0 kW - 7.5 kW	37
07342902	HLP10	10.0 kW	38
07343002	HLPM1525	15.0 kW - 25.0 kW	40
07343102	HLHM	ALL	5
07343202	HLWM37	3.0 kW - 7.5 kW	27
07343302	HLWM10	10.0 kW	28
07343402	HLWM1525	15.0 kW - 25.0 kW	29

## EPET Series and HLT Series Hazardous Location Thermostats For Single Phase



HLT Series



### Features

- SPDT & DPDT Models
- Heat or cool compatible
- Celsius and Fahrenheit temperature scale
- Bi-Metal or capillary sensor
- Snap action switch
- Casting tapped top and bottom for 3/4" conduit
- 1/2" thick cast aluminum housing
- All EPET/T1/T2 optional thermostats manufactured with anti-static plastic
- Dimension 5.75" x 6.375" x 5.57"
- Made in U.S.A.

Motor Rating	Rating	Rated*
(full load) 1 1/2 HP @ 250V	22A @ 125-277VAC; 125 VA @ 24VAC	Class I Group C & D, Class II Group E, F, G

\*Thermostat is not rated for use in Group B environments.

MFG CATALOG NUMBER	MFG MODEL NUMBER	DESCRIPTION	LOAD RATINGS	RANGE
05380702	EPETD8D	DPDT - Bi-Metal	22A @120-277VAC	50-90°F
05381002	EPETD8S	SPDT - Bi-Metal	22A @120-277VAC	50-90°F
05280702	EPETP8D	DPDT - Bi-Metal	22A @120-480VAC	50-90°F
05280602	EPETP8S	SPDT - Bi-Metal	22A @120-480VAC	50-90°F
05231502	HLT-1	SPDT - Capillary	22A @120-277VAC	40-110°F
05231602	HLT-2	DPDT - Capillary	22A @120-277VAC	40-110°F

Master ctn: 4 pcs, 24 lbs (varies slightly by model), 16" x 14.5" x 6"

EPET Series incorporate plastic knob & Bi-Metal Sensor housing.

HLT Series incorporates screwdriver temperature adjustment slot and all metal housing. External bulb and capillary sensor.