

# Guard Mounted Direct Drive Exhaust Fans

## Features

- Bolts directly to the wall
  - Can be used with or without external shutter
  - Pull chain switch
  - No Cord-Junction box provided for direct wiring
  - Aluminum blade
  - Steel spiral wire guards
  - Made in U.S.A. with domestic and foreign components.
- Note: Rough-in hole size is 1/2" inch larger than fan blade size



## Motor Specifications

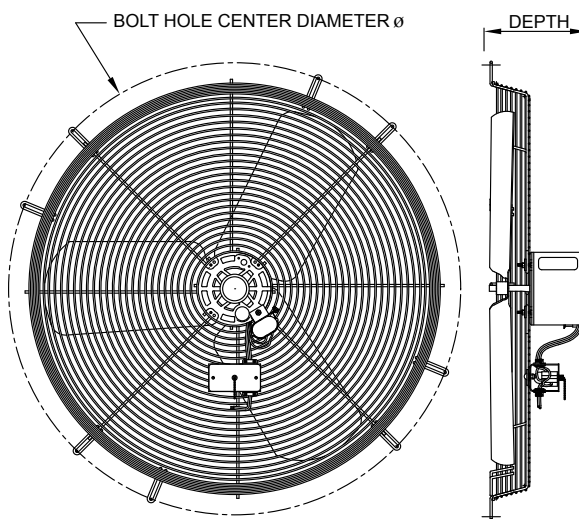
- 120V, 1-Phase, totally enclosed, permanently lubricated
- 1/12 HP motor is 3-Speed sleeve bearing permanent split capacitor
- 1/8 HP motor is 3-Speed sleeve bearing permanent split capacitor
- 1/4 HP motor is 2-Speed ball bearing permanent split capacitor

## Standard Models

FAN SIZE	MFG CATALOG NUMBER	MFG MODEL NUMBER	HP	CFM / RPM			AMPS HIGH	WT. (LBS)
				HIGH	MED	LOW		
10"	08689502	CE 10-D	1/12	680 / 1560	540 / 1250	460 / 1080	1	11
12"	07985002	CE 12-D	1/12	825 / 1560	710 / 1250	560 / 1080	1.1	12
14"	08689602	CE 14-D	1/8	1520 / 1660	1400 / 1550	1250 / 1370	2	17
16"	08689702	CE 16-D	1/8	2100 / 1660	1900 / 1550	1700 / 1370	2.1	18
18"	07984902	CE 18-D	1/8	2300 / 1660	2100 / 1050	1850 / 1370	2.2	19
20"	08689802	CE 20-D	1/4	2925 / 1140	-	2380 / 1070	2.3	34
24"	07984802	CE 24-D	1/4	3400 / 1140	-	2770 / 1070	2.5	38
30"	07984702	CE 30-D	1/4	3950 / 1140	-	3080 / 1070	2.7	42

## Dimensions (Inches)

SIZE	BOLT HOLE CENTER WIDTH	DEPTH
10"	14.14"	5.81"
12"	16.46"	7.18"
14"	18.30"	7.18"
16"	20.34"	7.18"
18"	22.64"	7.18"
20"	25.46"	7.18"
24"	29.08"	7.18"
30"	34.89"	7.18"



## Optional Wall Shutters

FAN SIZE	MFG CATALOG NUMBER	MFG MODEL NUMBER	WT. (LBS)
10"	08684302	CES-10G	5
12"	07985502	CES-12G	5.5
14"	08684502	CES-14G	6.5
16"	08514702	CES-16G	8
18"	07985602	CES-18G	9
20"	07975202	CES-20G	10
24"	07985702	CES-24G	13
30"	07985802	CES-30G	19

# Venturi Mounted Direct Drive Exhaust Fans

## Features

- Can be installed from inside wall
- Can be used with external shutter
- Pull chain switch
- No Cord-Junction box provided for direct wiring
- Aluminum blade
- Steel spiral wire guards
- Made in U.S.A. with domestic and foreign components.



## Motor Specifications

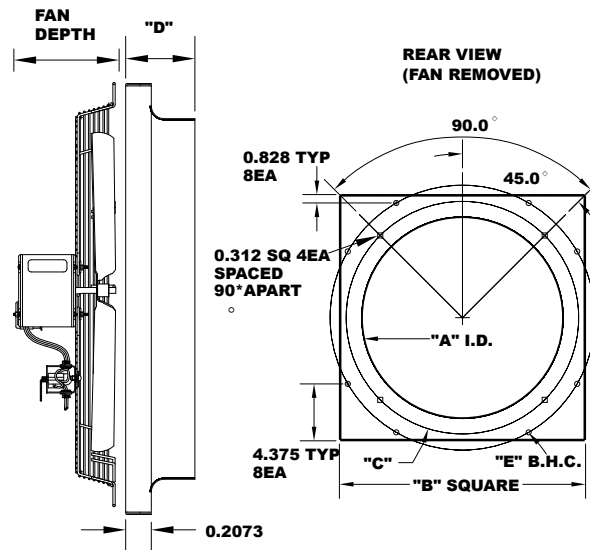
- 120V, 1-Phase, totally enclosed, permanently lubricated
  - 1/12 HP motor is 3-Speed sleeve bearing permanent split capacitor
  - 1/8 HP motor is 3-Speed sleeve bearing permanent split capacitor
  - 1/4 HP motor is 2-Speed ball bearing permanent split capacitor
- Note: Rough-in hole size is 1/2" inch larger than fan blade size

## Standard Models

FAN SIZE	MFG CATALOG NUMBER	MFG MODEL NUMBER	HP	CFM / RPM			AMPS HIGH	WT. (LBS)
				HIGH	MED	LOW		
10"	08690302	CE 10-DV	1/12	680 / 1560	540 / 1250	460 / 1080	1	11
12"	07986602	CE 12-DV	1/12	825 / 1560	710 / 1250	560 / 1080	1.1	17
14"	08690402	CE 14-DV	1/8	1520 / 1660	1400 / 1550	1250 / 1370	2	17
16"	08690502	CE 16-DV	1/8	2100 / 1660	1900 / 1550	1700 / 1370	2.1	18
18"	07986702	CE 18-DV	1/8	2300 / 1660	2100 / 1050	1850 / 1370	2.2	26
20"	08690602	CE 20-DV	1/4	2925 / 1140	-	2380 / 1070	2.3	34
24"	07986802	CE 24-DV	1/4	3400 / 1140	-	2770 / 1070	2.5	48
30"	07986902	CE 30-DV	1/4	3950 / 1140	-	3080 / 1070	2.7	55

## Dimensions (Inches)

SIZE	DEPTH	DIMENSIONS				
		"A"	"B"	"C"	"D"	"E"
10"	5.81"	10.250"	12.63"	12.375"	2.000"	12.875"
12"	7.18"	12.250"	14.50"	14.375"	2.000"	14.625"
14"	7.18"	14.250"	17.13"	16.375"	2.500"	17.375"
16"	7.18"	16.250"	19.13"	18.250"	2.875"	20.000"
18"	7.18"	18.125"	21.00"	21.750"	2.750"	22.875"
20"	7.18"	20.250"	23.13"	23.686"	2.750"	25.625"
24"	7.18"	24.250"	29.50"	27.750"	2.875"	27.875"
30"	7.18"	30.250"	33.50"	33.750"	2.875"	33.875"



## Optional Wall Shutters

FAN SIZE	MFG CATALOG NUMBER	MFG MODEL NUMBER	DIMENSIONS		WT. (LBS)
			WIDTH	LENGTH	
10"	08684302	CES-10G	13.13"	13.13"	5.0
12"	07985502	CES-12G	15.13"	15.13"	5.5
14"	08684502	CES-14G	17.13"	17.13"	6.5
16"	08514702	CES-16G	19.00"	19.00"	8.0
18"	07985602	CES-18G	21.13"	21.13"	9.0
20"	07975202	CES-20G	23.13"	23.13"	10.0
24"	07985702	CES-24G	27.13"	27.13"	13.0
30"	07985802	CES-30G	33.13"	33.13"	19.0