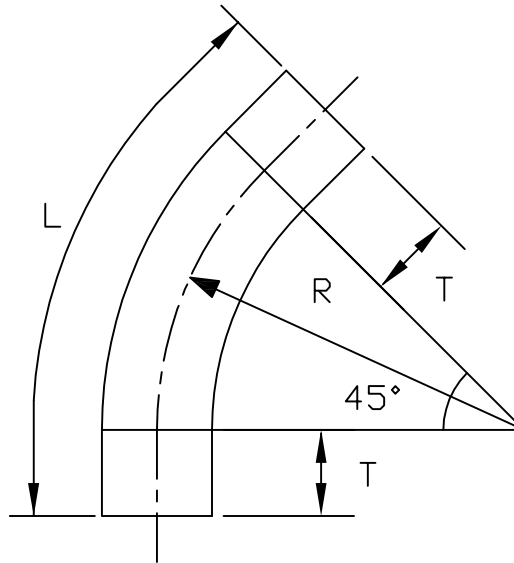


RIGID PVC CONDUIT  
CONDUIT RIGIDE EN PVC

45° SCH40 BEND PE / 45° SCH40 COUDE BU

ISSUE DATE: 2002 12 06  
DATE D'EMISSION:

SUPERSEDES: 2000 12 28  
REPLACE:



	CODE	Size Grosueur	L Ref.	R Ref.	T Ref.
KRALOY	# 068600 # 076682 # 078552	16mm (0.5")	152mm (6.0")	102mm (4.0")	38mm (1.50")
KRALOY	# 068601 # 076696 # 078553	21mm (0.75")	171mm (6.75")	114mm (4.50")	41mm (1.60")
KRALOY	# 068602 # 076697 # 078554	27mm (1")	222mm (8.75")	146mm (5.75")	51mm (2.0")
KRALOY	# 068603 # 076698 # 078555	35mm (1.25")	257mm (10.125")	184mm (7.25")	57mm (2.25")
KRALOY	# 068604 # 076699 # 078556	41mm (1.5")	283mm (11.125")	210mm (8.25")	57mm (2.25")
KRALOY	# 068605 # 078557	53mm (2")	298mm (11.75")	241mm (9.50")	57mm (2.25")

#- UL APPROVED / APPROUVES  
\*- CSA CERTIFIED / CERTIFIE

L-LENGTH OF PIPE BEFORE BENDING / LONGUEUR DU TUYAU AVANT D'ETRE COURBE