

Catalog Number	
Notes	Type

FEATURES & SPECIFICATIONS

INTENDED USE

The Circuit Selector Unit provides wiring of any device through a 1/2" trade size knockout. The CSU used No.12 AWG leads that allow for full circuit access.

ELECTRICAL

- Rated for use on 20-amp branch circuits.
- All conductors are No. 12 AWG copper with 90°C thermoplastic insulation rated 600V.
- All components provide a fully rated No. 12 AWG grounding conductor.
- C12S option includes three 12 AWG conductors and 18 AWG shielded pair for controls wiring.
- Safety-keying prevents accidental mating of components with different voltages.
- Accommodates up to three hot conductors plus neutral and ground feed-through of branch circuits in a single component.

SYSTEM FEATURES

- Pin and socket contacts.
- Color-coded labels for quick voltage identification.
- Auto-latching springs prevent accidental disengagement.
- Extremely low-profile.
- Plenum rated.

LISTINGS

- UL Listed. CSA certified.
- Controls wiring option C12S is UL Listed only.
- C12S option meets NEC requirements for separation of Class 2 and Class 3 circuits from Class 1 circuits by a barrier as defined by Article 725.136(B).
- Patents pending.

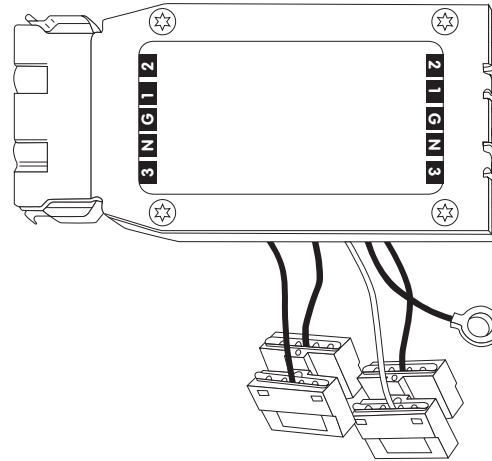
WARRANTY

- 5-year limited warranty. Complete warranty terms located at www.acuitybrands.com/CustomerResources/Terms_and_conditions.aspx

820 Circuit Selector Unit

LIGHTING AND POWER SYSTEM

CSU



CONTROLS-ENABLED WIRING OPTIONS

- 0-24V integrated single-circuit or 0-10V low voltage controls applications: select C12S.

Note: Actual performance may differ as a result of end-user environment and application. Specifications subject to change without notice.

ORDERING LOGIC

For shortest lead times, configure product using **bolded options**.

Example: CSU 277 F U 2N

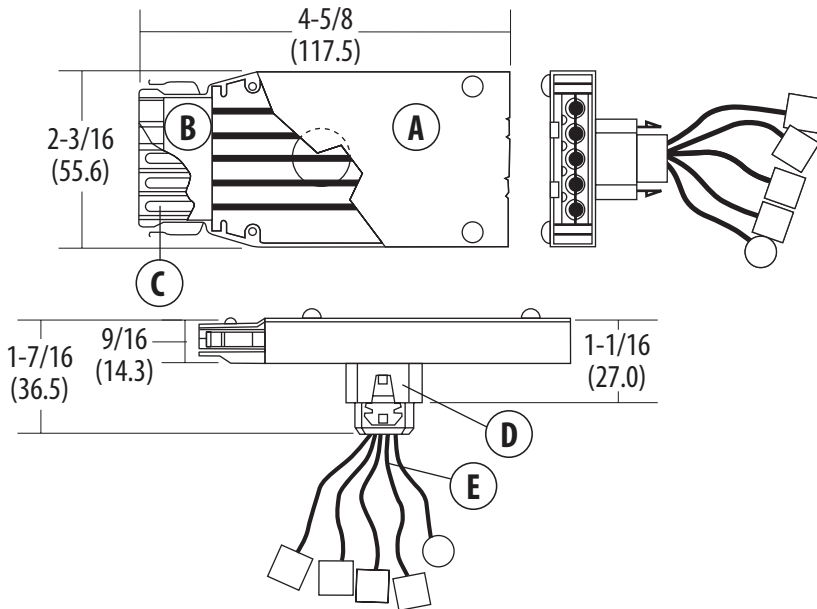
CSU	Voltage		Conductors	U	Controls Wiring	Options
Series				Factory Keying		
CSU	120	120V	D Three ¹	U	(blank) Not required	2N Two neutrals
	277	277V	F Five		C12S Integrated CI, CII rated line voltage and signal wires ¹	IGW Isolated ground ²
	347	347V				

NOTES

1. D conductor only available with C12S.
2. IGW available only with 120V.

DIMENSIONS

Dimensions are shown in inches (millimeters)



- A – 18-gauge, zinc-plated, CRS cover
- B – UL-recognized connector body
- C – Tin-plated, brass contacts
- D – .015" spring steel latches
- E – No. 12 AWG copper wires with 600V, 90°C thermoplastic insulation

Wire Color & Position for C125 Option		
Pin Position	Pin Function	Wire Color/Voltage
1	Data 2, Common (-)	Gray
2	Data 1, Positive (+)	Purple
3	Ground	Bare
4	Neutral	White/120V Gray/277V
5	Hot	Black/120V Brown/277V

Standard Pin Position / Wire Color		
Position	120V/347V	277V
2	Red	Brown
1	Black	Yellow
G	Green	Green
N	White	White
3	Blue	Orange

2 Neutral Pin Position / Wire Color		
Position	120V/347V	277V
2	Red	Brown
1	Black	Yellow
G	Green	Green
N	White	White
2N	Gray	Gray

SYSTEM VIEW

System View designs are for illustrative purposes only.

