

Products

- › Index
- › Featured Products
- › Cross Reference
- › UPC Search

Product Datasheet

[Catalog Home](#) [Home Page](#)

[Search](#)

1424 -- Plastic Bushing 6" Trade Size



Product Specifications

Family	Rigid and IMC Fittings
Fittings Classification	Plastic Bushings
Trade Size	6"
Standard Packaging	Carton
Ship Carton Length	8.25
Ship Carton Width	8.25
Ship Carton Height	6.00
WT. PER HU.	41
Dimension A	7-1/12"
Dimension B	5-57/64"
Thread Spec. C	6-8 NPT
Dimension D	1"
Unit Carton Quantity	5
Ship Carton Quantity	5
UPC Number	050169014240
Product UPC-A Labeled	Yes
Catalog PDF Page	PDF Catalog Page

Applications

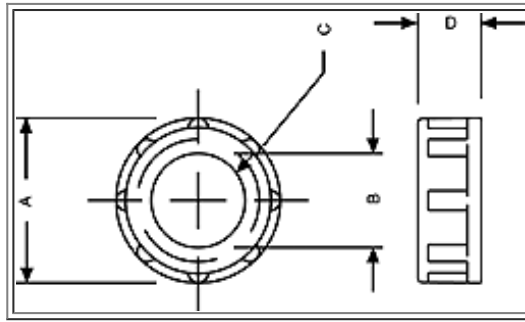
- For use on threaded rigid/IMC conduit
- Bushings provide a smoothly rounded surface at the entrance of raceways

Product Features

- Insulating bushings are made of high impact polypropylene that is temperature rated at 105° C

[Compliances](#)

UL CSA



[Login](#) | [Privacy](#) | [Site Map](#)