

Products

- › Index
- › Featured Products
- › Cross Reference
- › UPC Search

Product Datasheet

[Catalog Home](#) [Home Page](#)

[Search](#)

1414 -- Plastic Bushing 3-1/2" Trade Size



Product Specifications

Family	Rigid and IMC Fittings
Fittings Classification	Plastic Bushings
Trade Size	3-1/2"
Standard Packaging	Carton
Ship Carton Length	5.5
Ship Carton Width	4.5
Ship Carton Height	4.75
WT. PER HU.	11.2
Dimension A	4-23/64"
Dimension B	3-13/32"
Thread Spec. C	3-1/2-8 NPT
Dimension D	3/4"
Unit Carton Quantity	5
Ship Carton Quantity	5
UPC Number	050169014141
Product UPC-A Labeled	Yes
Catalog PDF Page	PDF Catalog Page

Applications

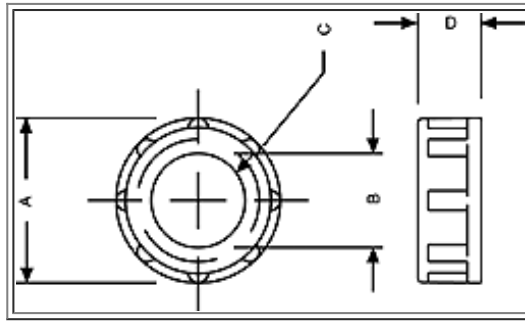
- For use on threaded rigid/IMC conduit
- Bushings provide a smoothly rounded surface at the entrance of raceways

Product Features

- Insulating bushings are made of high impact polypropylene that is temperature rated at 105° C

[Compliances](#)

UL CSA



[Login](#) | [Privacy](#) | [Site Map](#)