



Medium size ceiling mount fixture: 26, 32 and 42 Watt compact fluorescent available. Housing is die cast aluminum with clear vandalproof polycarbonate refractor. Photocontrol, Sensor (CFL 120v only) models available. Lamp supplied.

Color: Bronze

Weight: 6.5 lbs

**Project:**

**Type:**

**Prepared By:**

**Date:**

### Lamp Info

Type	32w Triple
Watts	32W
Shape/Size	N/A
Base	N/A
ANSI	N/A
Hours	12,000
Lamp Lumens	2,400
Efficacy	75 lm/W

### Ballast Info

Type	Elec HPF QT
120V	N/A
208V	N/A
240V	N/A
277V	0.13A
Input Watts	32W

## Technical Specifications

### Compliance

#### UL Listed:

Suitable for wet locations. Covered Ceiling Mount Only. Fixtures can be wired with 90°C supply wiring if supply wires are routed 3" away from ballast.

### Electrical

#### Sockets:

Medium base 4kv Pulse Rated Glazed porcelain

#### HID Quartz restrike:

Add suffix "/QR" to Van3 (50w restrike) or Van5 (100w restrike) for HOT restrike. Provides immediate illumination in case of momentary power failure.

#### Quad Tap:

Fixture works with 120, 208, 240, and 277 volts

### Photocell:

Button Photocell 277V included. Photocell is compatible with 208V-277V.

### Optical

#### Refractor:

Injection molded polycarbonate, designed for maximum structural strength

### Construction

#### Housings:

Die-cast aluminum with powder coat bronze or white finish

#### Screws:

Tamperproof center pin Torx-head and slotted Phillips head stainless steel screws provided. Be sure to order your Torx screwdriver (Catalog # VANDRIVER).

### Reflectors / Backplate:

Heavy gauge cold rolled steel with high reflectance baked white enamel

### Conduit Entry:

1/2"

### Ballast Minimum Starting Temperature:

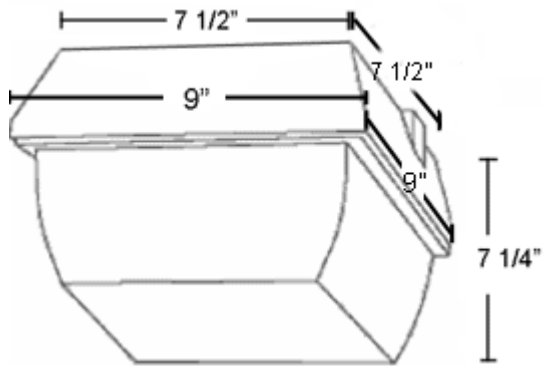
0°F

### Other

#### Buy American Act Compliance:

RAB values USA manufacturing! Upon request, RAB may be able to manufacture this product to be compliant with the Buy American Act (BAA). Please contact customer service to request a quote for the product to be made BAA compliant.

## Dimensions



## Features

- Both Vandal proof Center Pin Torx and slotted Phillips head screws supplied
- Tough polycarbonate refractors
- Die cast aluminum housing
- Quartz Restrike available, consult factory