



Fits covers and boxes to provide weatherproof seal. Precision die cast with clean threads. Plugs accept both Phillips and slotted screwdrivers for easy installation. Choose the diameter and color to fit your application.

Color: Natural

Weight: 0.0 lbs

Project:

Type:

Prepared By:

Date:

Technical Specifications

Compliance

UL Listed:

Suitable for wet locations

Construction

Material:

Precision die cast or stamped aluminum. Spring loaded covers. .

Screws:

6-32 Nickel Plated Brass

Diameter:

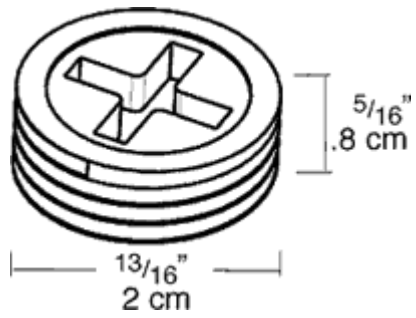
3/4"

Other

Buy American Act Compliance:

RAB values USA manufacturing! Upon request, RAB may be able to manufacture this product to be compliant with the Buy American Act (BAA). Please contact customer service to request a quote for the product to be made BAA compliant.

Dimensions



Features

Sturdy, clear cover for easy visibility

Thick weather seal gaskets

Mounting hardware supplied

Close-up plugs allow Phillips or slotted screwdrivers for easy installation

RAB's distinctive see-thru weatherproof packaging has all the information you need

Clear PVC plastic turtle cover with lockable latch

Smooth edged electrical cord slots