



This ultra high efficiency LED garage light delivers up to 118 lumens per Watt. Available in 30, 42 and 55 Watt versions that replace 70 to 175 Watt metal halide fixtures. Fixture measures 14" L x 14" W.

Color: Bronze

Weight: 10.6 lbs

Project:

Type:

Prepared By:

Date:

Driver Info

Type	Constant Current
120V	0.25A
208V	0.13A
240V	0.12A
277V	0.11A
Input Watts	29.4W

LED Info

Watts	30W
Color Temp	5000K (Cool)
Color Accuracy	78 CRI
L70 Lifespan	100,000 Hours
Lumens	3,832
Efficacy	130.3 lm/W

Technical Specifications

Compliance

UL Listed:

Suitable for wet locations

Construction

Lens:

Frosted polycarbonate

Gaskets:

High-temperature silicone

IP Rating:

Ingress Protection rating of IP66 for dust and water

Ambient Temperature:

Suitable for use in up to 40°C (104°F)

LED Characteristics

LEDs:

Long-life, high-efficacy, surface-mount LEDs

Other

Equivalency:

Equivalent to 100W Metal Halide

Warranty:

RAB warrants that our LED products will be free from defects in materials and workmanship for a period of five (5) years from the date of delivery to the end user, including coverage of light output, color stability, driver performance and fixture finish. RAB's warranty is subject to all terms and conditions found at rablighting.com/warranty.

Buy American Act Compliance:

RAB values USA manufacturing! Upon request, RAB may be able to manufacture this product to be compliant with the Buy American Act (BAA). Please contact customer service to request a quote for the product to be made BAA compliant.

Electrical

Drivers:

Constant Current, Class 2 100V - 277V, 50/60 Hz. THD <20%.

THD:

7.4% at 120V, 17.1% at 277V

Power Factor:

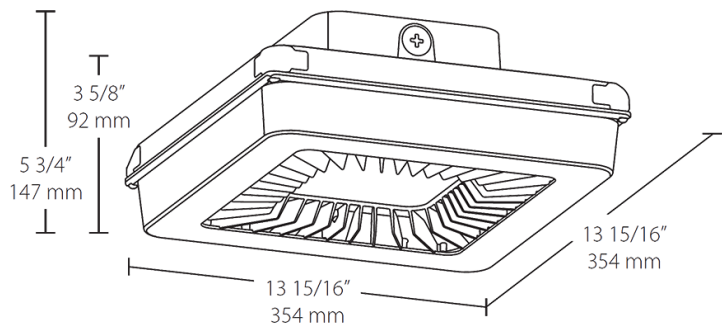
99.2% at 120V, 90.9% at 277V

Listings

DLC Listed:

This product is listed by Design Lights Consortium (DLC) as an ultra-efficient premium product that qualifies for the highest tier of rebates from DLC Member Utilities. DLC Product Code: P5DRFSDX

Dimensions



Features

- Ultra-high efficiency
- Pendant or surface mount
- Low glare, vandal-resistant polycarbonate lens
- 20% uplight eliminates "cave effect"
- 100,000-Hour LED lifespan
- 5-Year, No-Compromise Warranty

Ordering Matrix

Family	Wattage	Color Temp	Finish	Driver Options	Sensor Options	Other Options
PRT	30					
	30 = 30W (14" x 14")	Blank = 5000K (Cool)	Blank = Bronze	Blank = 120-277V On/Off	Blank = No Option	USA = BAA Compliant
	42 = 42W (14" x 14")	N = 4000K (Neutral)	W = White	/480 = 480V On/Off	/WS = Multi-Level Motion Sensor for 14" ¹	Blank = Standard
	55 = 55W (14" x 14")	Y = 3000K (Warm)		/D10 = 120-277V w/ 0-10V Dimming	/WS2 = Multi-Level Motion Sensor for 18" ¹	
	70 = 70W (18" x 18")			/480/D10 = 480V w/ 0-10V Dimming	/PCS = 120V Swivel Photocell	
	80 = 80W (18" x 18")			/E2 = Battery Backup	/PCS2 = 277V Swivel Photocell	
	105 = 105W (18" x 18")			/D10/E2 = 0-10V Dimming w/ Battery Backup	/PCS4 = 480V Swivel Photocell	
					/LC = Lightcloud® Controller	
					/LCS = Lightcloud® Sensor	

¹ Only available for 120-277V with 0-10V dimming driver.