



<b>Project:</b>	<b>Type:</b>
<b>Prepared By:</b>	<b>Date:</b>

Die cast aluminum caps for replacement or making Do-It-Yourself Mighty Posts. MMCAP2 fits standard 2" pipe (2 3/8" outer diameter), MMCAP3 fits standard 2.5" pipe (2 7/8" outer diameter). Has a bare copper ground wire. Cut the pipe yourself and save!

## Technical Specifications

### Compliance

**UL Listed:**

Suitable for wet locations. Fixtures with ground wire must be used.

### Construction

**Post Materials:**

UL Schedule 40 PVC pipe

**Set Screw:**

Locks cap to post and prevents rotation

**Fits Pipe:**

2"

**Pipe O.D.:**

2 3/8

**Material:**

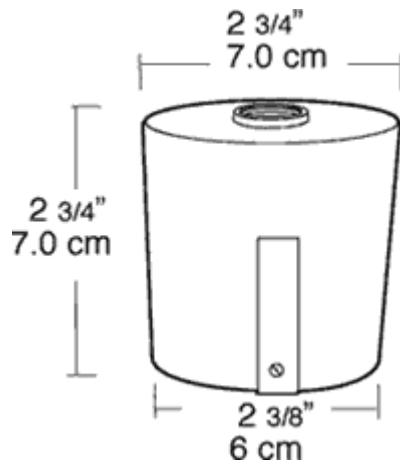
Die cast aluminum

### Other

**Buy American Act Compliance:**

RAB values USA manufacturing! Upon request, RAB may be able to manufacture this product to be compliant with the Buy American Act (BAA). Please contact customer service to request a quote for the product to be made BAA compliant.

## Dimensions



## Features

- Set screw locks cap to post
- 1/2" threaded hole fits standard floodlights & lawn lights
- Internal seal provides weatherproof fit
- Can be used with Post Adapter an option that lets you add outlets and sensors