



Rugged die cast floodlight with heavy mounting arm, lens, glare shield and weatherproof silicone gasket. 75 Watt max., accepts lamp types PAR16, PAR20 and R type. 120 volt Lamp not supplied.

Color: Verde green

Weight: 1.6 lbs

**Project:**

**Type:**

**Prepared By:**

**Date:**

**Lamp Info**

Type PAR20  
 Watts 75W  
 Shape/Size N/A  
 Base N/A  
 ANSI N/A  
 Hours 2,500  
 Lamp Lumens 550  
 Efficacy N/A

**Ballast Info**

Type N/A  
 120V N/A  
 208V N/A  
 240V N/A  
 277V N/A  
 Input Watts N/A

## Technical Specifications

### Compliance

**UL Listed:**

Suitable for wet locations. Suitable for mounting within 1.2m (4ft) of the ground.

### Construction

**Swivels:**

1/2" NPS threaded arm with serrated locking swivel fits all standard mounting boxes. EZ Grip locknuts color matched to fixture.

**Housings:**

Precision die-cast aluminum

### Electrical

**Watts:**

75

**Voltage:**

120

**Sockets:**

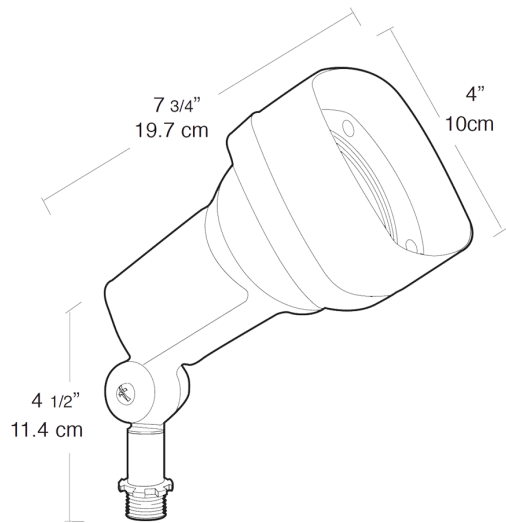
Medium base porcelain with all copper current carrying components and spring loaded center contact

### Other

**Buy American Act Compliance:**

RAB values USA manufacturing! Upon request, RAB may be able to manufacture this product to be compliant with the Buy American Act (BAA). Please contact customer service to request a quote for the product to be made BAA compliant.

## Dimensions



## Features

- Rugged die cast aluminum housing with polyester powder coat finish
- Deep Glare Shield
- weatherproof lens and gasket
- "O" Ring seal for full weather protection
- No-rust brass & stainless steel external hardware
- Rugged mounting arm has 1/2" threads and pivots 180
- EZ Grip locknuts are color matched to fixture and can be tightened with fingers, pliers or screwdriver