



Die cast aluminum visor with integral metal grill and tempered glass lens for maximum glare reduction and lamp protection. Guard protects lamp from damage and vandalism. Die cast aluminum.

Color: Black

Weight: 1.6 lbs

**Project:**

**Type:**

**Prepared By:**

**Date:**

## Technical Specifications

### Construction

**Material:**

Die cast aluminum

**Guard:**

Designed to fit the H101 and HB101

### Stealth Accessory:

Guards also fit RAB's Stealth Bullet and Bell Flood Kits. [See Stealth Page.](#)

**Visor:**

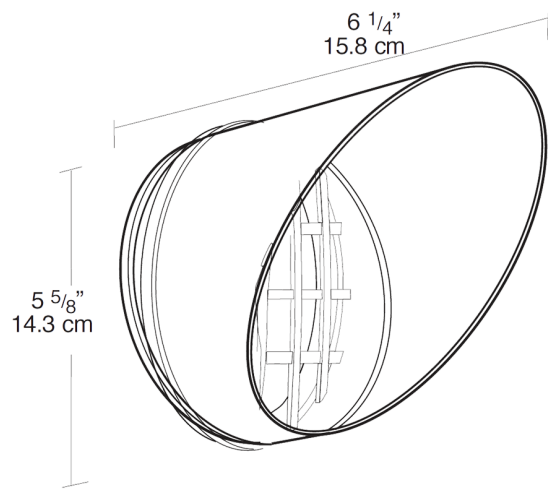
Visor includes glass

### Other

**Buy American Act Compliance:**

RAB values USA manufacturing! Upon request, RAB may be able to manufacture this product to be compliant with the Buy American Act (BAA). Please contact customer service to request a quote for the product to be made BAA compliant.

## Dimensions



## Features

- Die cast aluminum
- Integral metal grill
- Glass lens for maximum glare reduction and lamp protection