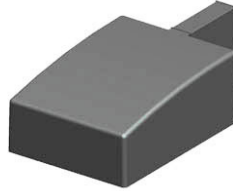
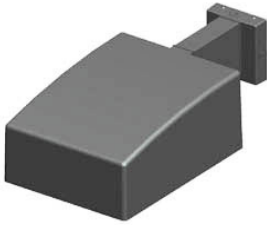


## ALX™ AREA LIGHT INSTALLATION INSTRUCTIONS



Thank you for buying RAB lighting fixtures. Our goal is to design the best quality products to get the job done right. We'd like to hear your comments. Call the Marketing Department at 888-RAB-1000, or email: [marketing@rabweb.com](mailto:marketing@rabweb.com)

### IMPORTANT

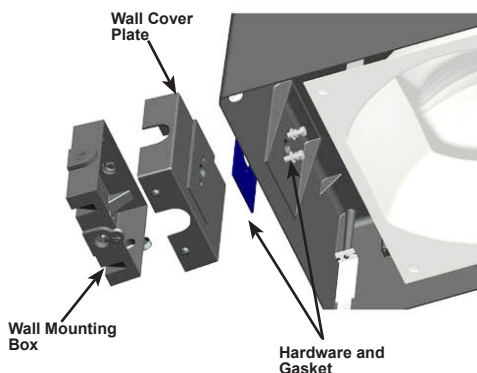
**READ CAREFULLY BEFORE INSTALLING FIXTURE. RETAIN THESE INSTRUCTIONS FOR FUTURE REFERENCE.**

RAB fixtures must be wired in accordance with the National Electrical Code and all applicable local codes. Proper grounding is required for safety. This product must be installed in accordance with the applicable installation code by a person familiar with the construction and operation of the product and the hazards involved.

**WARNING: Make certain power is OFF before installing or maintaining fixture.**

### FLAT WALL MOUNT, NO ARM

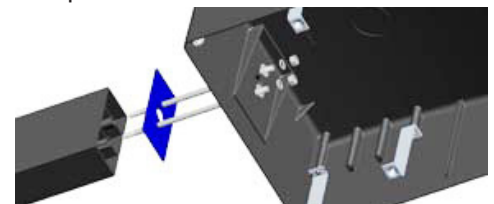
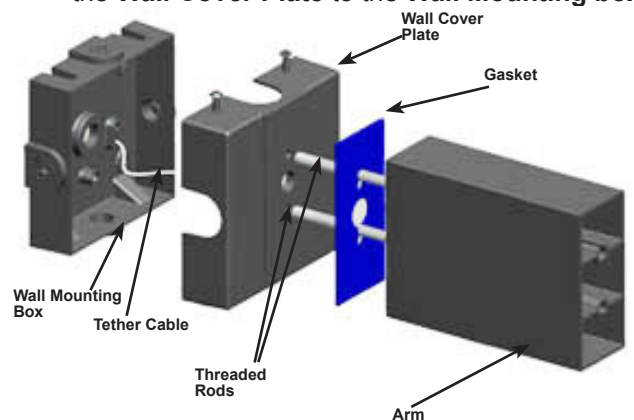
1. Open the fixture and remove the ballast tray.
2. Mount the **Wall Cover Plate** to the fixture with the bolts, lock washers and **Gasket** provided.
3. Mount the **Wall Mounting Box** and hang fixture:
  - a. Feed supply wires through the **Wall Mounting Box**. Orient box with "TOP" on the top.
  - b. Secure to a sturdy wall with hardware appropriate for the mounting surface.
  - c. Bring fixture up to the **Wall Mounting Box** and slide the **Tether Cable** from fixture & **Wall Cover Plate** assembly in to the keyhole slot for hands free wiring.
  - d. Wire the fixture using UL approved wire connectors and according to NEC and local codes.
  - e. Place wired fixture over the **Wall Mount Box** and tighten the top (2) screws, then tighten the lower (2) screws. Apply sealant to all unused conduit entry points.



Note: These instructions do not cover all details or variations in equipment nor do they provide for every possible situation during installation, operation or maintenance.

### WALL MOUNT WITH ARM

1. Open the fixture and remove the ballast tray.
2. Mount Arm Assembly to Fixture:
  - a. Thread the **Threaded Rods** into the **Wall Cover Plate**.
  - b. Place **Gasket, Arm** and 2nd Gasket onto the **Threaded Rods**.
  - c. Feed the fixture wires through the **Arm**, through the **Wall Cover Plate** to the **Wall Mounting box**.
3. Mount Arm Assembly to the fixture. Secure the **Threaded Rods** with flat washers, lockwashers and nuts provided on the inside of the fixture.



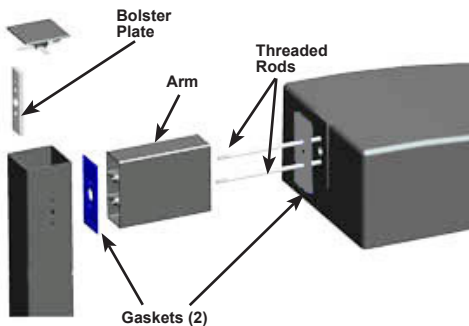
4. To mount the **Wall Mounting Box** and hang the fixture, refer to steps "a" thru "e" in the previous Flat Wall Mount, No Arm section.

## ALX™ AREA LIGHT INSTALLATION INSTRUCTIONS

### MOUNTING (1) ALX FIXTURE DIRECTLY TO POLE

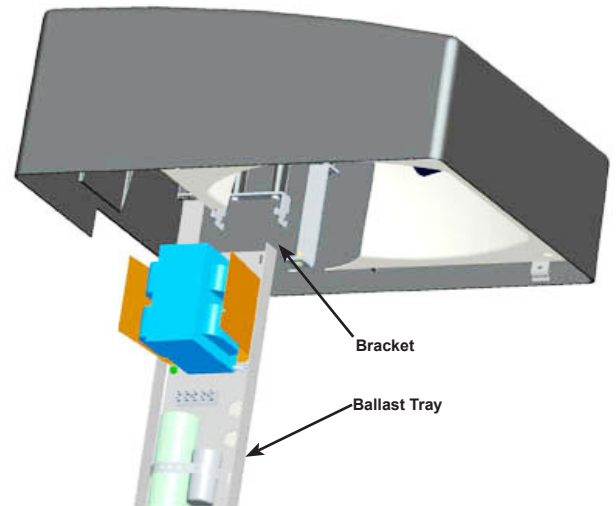
Fixed Arm mounting directly to 4" or larger square steel pole.

1. Open fixture door. Remove ballast tray.
2. Insert **Threaded Rods** into the pole and thread into the **Bolster Plate**.
3. Feed wires from fixture through **Gasket, Arm** and 2nd **Gasket** and into pole. Make connections and knot wires as a strain relief. Install pole cap.
4. Line up extrusion slots with the **Threaded Rods** and slide **Arm** and fixture on **Threaded Rods**.
5. Place flat washers, lock washers and nuts on the **Threaded Rods** inside the fixture and tighten securely.



### BALLAST TRAY REMOVAL

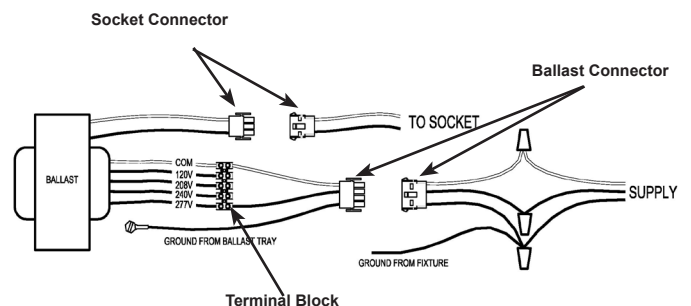
1. Open fixture door.
2. Release latch and swing down **Ballast Tray**
3. Unplug connectors. See Wiring section for connection details.
4. Lift off **Bracket**



### WIRING

All units are factory wired for 277V, except for units with a requested 120V Photocell ("IPC").

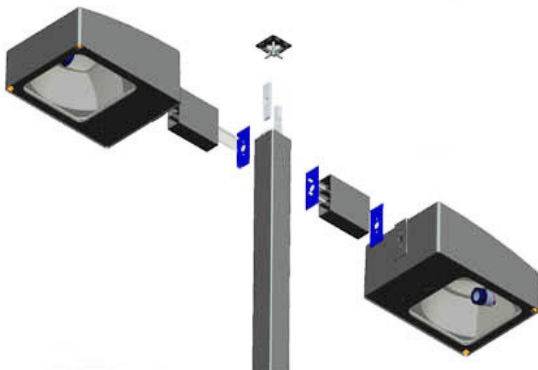
1. Connect the black and white fixture leads to the supply leads.
2. Connect the Ground wire from the fixture to the supply ground.
3. To rewire fixture for different supply voltage:
  - a. Loosen 277V **Terminal Block** screw and switch black wire from connector to desired voltage terminal.
  - b. Tighten all terminal screws.
4. To remove or replace ballast tray:
  - a. Disconnect 3 prong **Socket Connector**.
  - b. Disconnect 4 prong **Ballast Connector**.



### MOUNTING (2) ALX FIXTURES AT 180° DIRECTLY TO POLE

Fixed Arm direct pole mounting of 2 fixtures at 180 degrees as shown below.

See steps 1-5 in "MOUNTING (1) ALX FIXTURE DIRECTLY TO POLE" section. Follow for each fixture



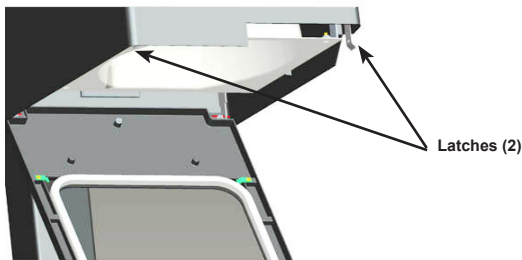
RAB fixture designs are protected under U.S. and International Intellectual Property laws. Patent pending.

## ALX™ AREA LIGHT INSTALLATION INSTRUCTIONS

### LAMP INSTALLATION

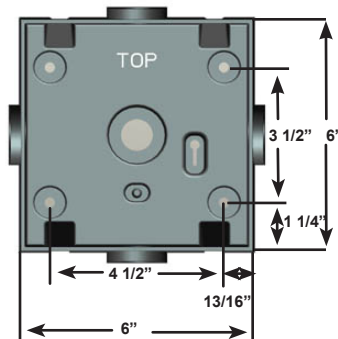
CAUTION: Prior to installing, check that the lamp is the correct ANSI type and wattage. Observe lamp manufacturer's recommendations on lamp operation, ballast type and burning positions.

1. Disconnect power. Make sure fixture and lamp are cool enough to touch.
2. Open door by pushing **Latches** to the side. Swing door down on hinges.
3. Fully screw the lamp into the socket.
4. Before closing door, make sure door gasket is properly seated all around the door.
5. Close door. Be sure that latches are engaged.



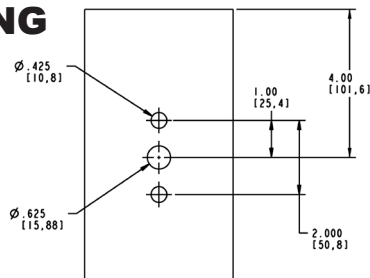
### WALL MOUNT DETAIL

For Wall and Flat Wall mounting.



### POLE DRILLING DETAIL

For mounting to a pole not drilled at RAB.



### REPLACEMENT LAMPS AND BALLAST TRAY

Wattage	RAB Lamp Catalog#	ANSI Code	RAB Ballast Tray Catalog#
<b>High Pressure Sodium</b>			
250	LHPS250	S50	BHPS250T
400	LHPS400	S51	BHPS400T
<b>Metal Halide</b>			
200PS	LMH200PS	M136	BMH200T
250PS	LMH250PS	M153	BMH250T
320PS	LMH320PS	M154	BMH320T
350PS	LMH350PS	M131	BMH350T
400PS	LMH400PS	M155	BMH400T

480V Ballasts are available, consult factory.

### TROUBLESHOOTING

1. Is the proper lamp installed? Check the wattage and ANSI code on the fixture label against markings on the lamp. Refer to Replacement Lamp table above for verification.
2. Make sure the lamp is not defective. Try a lamp known to be in operating condition.
3. Check that the line voltage at fixture is correct. Refer to wiring directions.
4. Is there voltage at the lamp socket? If there is no voltage, check all connections.
5. Is the fixture grounded properly?
6. Is the photocell functioning properly (if used)?

### ACCESSORIES AND REPLACEMENT PARTS

House Side Shield:	ALXHS9
Bolster Plate:	ALXBP
Pole Top Tenon Adaptors:	BTA4

### CLEANING & MAINTENANCE

CAUTION: Be sure fixture temperature is cool enough to touch. Do not clean or maintain while fixture is energized.

1. Clean glass lens with non-abrasive glass cleaning solution.
2. As lamps age, light output diminishes. Mass re-lamping at regular intervals ensures full light output at the highest efficiency.

