



Color: Bronze

Weight: 30.1 lbs

Project:

Type:

Prepared By:

Date:

Driver Info

Type	Constant Current
120V	N/A
208V	N/A
240V	N/A
277V	N/A
Input Watts	106.1W

LED Info

Watts	104W
Color Temp	5100K (Cool)
Color Accuracy	71 CRI
L70 Lifespan	100,000 Hours
Lumens	13,686
Efficacy	129 lm/W

Technical Specifications

Compliance

UL Listed:

UL Suitable for Wet Locations as Uplight and Downlight

IESNA LM-79 & IESNA LM-80 Testing:

RAB LED luminaires and LED components have been tested by an independent laboratory in accordance with IESNA LM-79 and LM-80.

Construction

IP Rating:

Ingress Protection rating of IP66 for dust and water

Standard Mount:

Standard 15° mount. Die-cast aluminum wall bracket with (5) 1/2" conduit openings with plugs. Two piece bracket with tether for ease of installation and wiring.

Effective Projected Area:

EPA = 2.0

Cold Weather Starting:

Minimum starting temperature is -40°C (-40°F)

Maximum Ambient Temperature:

Suitable for use in up to 40°C (104°F)

Housing:

Precision die-cast aluminum housing, lens frame

Arm:

Die-cast aluminum with wiring access plate

Lens:

Tempered glass

Reflector:

Specular vacuum metallized polycarbonate

Gaskets:

High-temperature silicone

Green Technology:

Mercury and UV free. RoHS-compliant components.

LED Characteristics

LEDs:

Four multi-chip, high-output, long-life LEDs

Technical Specifications (continued)

LED Characteristics

Color Consistency:

7-step MacAdam Ellipse binning to achieve consistent fixture-to-fixture color

Color Stability:

LED color temperature is warranted to shift no more than 200K in color temperature over a 5-year period

Color Uniformity:

RAB's range of Correlated Color Temperature follows the guidelines of the American National Standard for Specifications for the Chromaticity of Solid State Lighting (SSL) Products, ANSI C78.377.2011.

Performance

Lifespan:

100,000-Hour LED lifespan based on IES LM-80 results and TM-21 calculations

Electrical

Driver:

Constant current, Class 1, 347V-480V, 50/60 Hz, 4KV Surge Protection, 700mA, 347V-480V = 0.3-0.4A, THD<20%, Power Factor 95%.

THD:

17.64% at 480V

Power Factor:

92.5% at 480V

Starting/Operating Amps:

480V = 0.26A.

Ballast Volts:

480V

Other

Equivalency:

Equivalent to 400W Metal Halide

Patents:

The design of the ALED104 is protected by patents pending in US, Canada, China, Taiwan and Mexico

Warranty:

RAB warrants that our LED products will be free from defects in materials and workmanship for a period of five (5) years from the date of delivery to the end user, including coverage of light output, color stability, driver performance and fixture finish. RAB's warranty is subject to all terms and conditions found at rablighting.com/warranty.

Buy American Act Compliance:

RAB values USA manufacturing! Upon request, RAB may be able to manufacture this product to be compliant with the Buy American Act (BAA). Please contact customer service to request a quote for the product to be made BAA compliant.

Optical

BUG Rating:

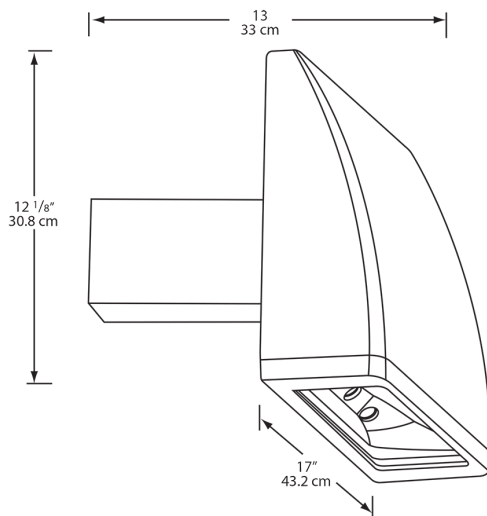
B1 U1 G3

Listings

DLC Listed:

This product is listed by Design Lights Consortium (DLC) as an ultra-efficient premium product that qualifies for the highest tier of rebates from DLC Member Utilities. DLC Product Code: P2MNZTWE

Dimensions



Features

- 75% energy savings
- Superior heat sinking with die cast aluminum housing and external fins
- 100,000-hour LED lifespan
- 5-Year, No-Compromise Warranty

Ordering Matrix

Family	Cutoff	Wattage	Color Temp	Finish	Driver Options	Options	Other Options
ALED		104			/480		
	Blank = Standard (15°) C = Cutoff (7.5°) FC = Full Cutoff (0°)	52 = 52W 80 = 80W	Blank = 5000K (Cool) N = 4000K (Neutral) Y = 3000K (Warm)	Blank = Bronze W = White	Blank = 120-277V /480 = 480V /BL = Bi-Level /D10 = 0-10V Dimming	Blank = No Option /PCS = 120V Swivel Photocell /PCS2 = 277V Swivel Photocell /PCS4 = 480V Swivel Photocell /PCT = 120-277V Twistlock Photocell /PCT4 = 480V Twistlock Photocell /LC = Lightcloud® Controller	Blank = Standard USA = BAA Compliant