

Project:

Type:

Prepared By:

Date:



UPC: 019813834337



Features and Benefits

- Energy efficient replacement for incandescent and halogen lamps
- Constructed from durable plastic which lowers risk of breakage
- Rated for use in enclosed and open fixtures in dry or damp locations
- Frosted lens produces smooth diffuse light
- Longer lifespan compared to legacy equivalents minimizes replacement and maintenance costs
- ENERGY STAR Compliant

Technical Specifications

Performance

Product Type:

A-Line

Input Wattage:

16W

Typical Lumen Output:

1600

Efficacy:

100 lm/W

Color Temperature:

5000K Daylight

CRI:

80

L70 Lifespan:

15,000 Hours

Dimmable:

No

Construction

Bulb Shape:

A21

Base Type:

E26

Beam Angle:

230°

Other

Equivalency:

100W Incandescent

Warranty (Years):

RAB warrants that our LED products will be free from defects in materials and workmanship for a period of three (3) years from the date of delivery to the end user, including coverage of light output, color stability, driver performance and fixture finish. RAB's warranty is subject to all terms and conditions found at rablighting.com/warranty.

Electrical

Power Factor:

>0.7

Operating Temperature:

-25°C - 40°C

Input Voltage:

120V

Technical Specifications (continued)

Electrical

Operating Frequency:

60 Hz

Technical Specifications

For Use in Emergency Fixtures:

No

For Use Outdoors in Open Fixtures:

No

Compliance

UL Listed:

Yes

ENERGY STAR V2.0:

This product is ENERGY STAR® Version 2.0 Certified

Energy Star Model Number:

A10010

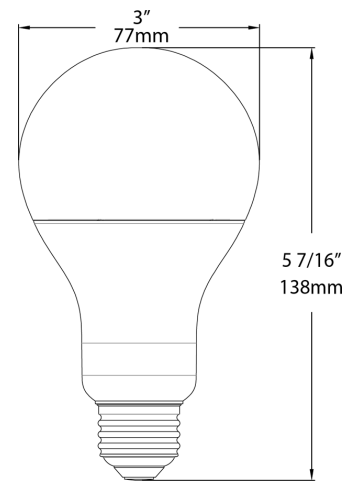
CEC Status:

Not lawful for sale in California

Case and Pallet Dimensions

	QTY	LENGTH (in)	WIDTH (in)	HEIGHT (in)
CASE	12	12.8	9.7	6.2
PALLET	1260	43.9	40.3	50

Dimension



Light Distribution

