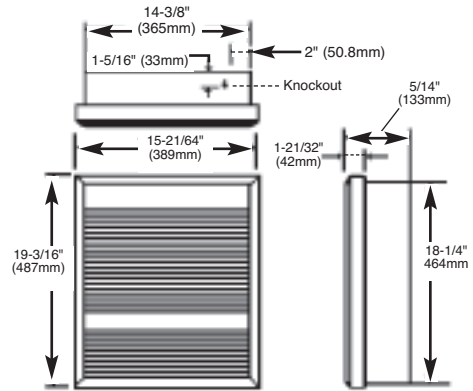




WH Series Fan Forced Wall Heaters



File E21609

Installation & Maintenance Instructions

Dear Owner,

Congratulations! Thank you for purchasing this new heater manufactured by Marley Engineered Products. You have made a wise investment selecting the highest quality product in the heating industry. Please carefully read the installation and maintenance directions shown in this manual. You should enjoy years of efficient heating comfort with this heater from Marley Engineered Products... the industry's leader in design, manufacturing, quality and service.

*... The Employees of
Marley Engineered Products*



WARNING



Read Carefully - These instructions are written to help you prevent difficulties that might arise during installation of heaters. Studying the instructions first may save you considerable time and money later. Observe the following procedures, and cut your installation time to a minimum.

TO REDUCE RISK OF FIRE OR ELECTRIC SHOCK:

1. Disconnect all power coming to heater at main service panel before wiring or servicing.
2. All wiring must be in accordance with the National and Local Electrical Codes and the heater must be grounded.
3. Verify the power supply voltage coming to heater matches the ratings printed on the heater nameplate before energizing.
4. This heater is hot when in use. To avoid burns, do not let bare skin touch hot surfaces.
5. Do not insert or allow foreign objects to enter any ventilation

or exhaust opening as this may cause an electric shock, fire, or damage to the heater.

6. Do not block air intakes or exhaust in any manner. Keep combustible materials, such as crates, drapes, etc., away from heater. Do not install behind doors, furniture, towels, or boxes.
7. A heater has hot and arcing or sparking parts inside. Do not use it in areas where gasoline, paint, or flammable liquids are stored.
8. Use this heater only as described in this manual. Any other use not recommended by the manufacturer may cause fire, electric shock, or injury to persons.
9. This heater is not approved for use in corrosive atmospheres such as marine, green house, or chemical storage areas.

SAVE THESE INSTRUCTIONS



CAUTION



FOR SAFE OPERATION AND REDUCED RISK OF FIRE, INJURY OR HEATER DAMAGE, OBSERVE THE FOLLOWING:

1. Do NOT use a remote thermostat with this heater. Built in thermostat cycles the heating element only. Fan delay control automatically turns fan ON and OFF, and provides a fan delay OFF feature to remove residual heat after thermostat has turned heating elements off. Wiring of heater in any manner which defeats the fan delay OFF feature can result in overheating and permanent damage to heater, and will void the warranty.
2. For wall mounting only with air discharge downward. Do NOT install in floor, ceiling, upside down (air discharge upward), or sideways.
3. Do NOT operate heater without grille installed.
4. Maintain the following clearances:
 - Bottom of heater to floor – 8" (203mm)
 - Sides of heater to adjacent wall – 8" (203mm)
 - Top of heater to ceiling – 36" (915mm)
5. This heater is hot when in use. Do NOT install heater behind door, behind towel rack, inside closet, where drapery could touch heater or be damaged by heat, or where airflow to heater may be obstructed. Keep electrical cords, bedding, furniture, and other items away from heater.
6. Heater must be cleaned periodically (at least annually) to assure proper performance and prevent overheating. See section on cleaning and maintenance.

Installation of Recessed Back Box in Existing Construction

1. Provide a wall opening 14-1/2" (362mm) wide by 18-1/2" (470mm) high at the desired mounting height, but no closer than 8" (203mm) from floor. (See Figure 2.)

Note: Locate so at least one side of opening is at wall stud.

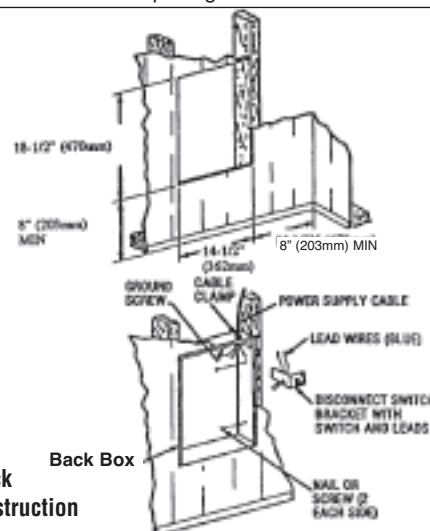


Fig. 2: Locating Back Box in Existing Construction

2. Power Supply Wiring

Note: Wiring Compartment Volume - 119in³ (1950cm³).

- a. Run a power supply cable into the area above the top of the wall opening. All wiring must be in accordance with National and Local electrical codes. Refer to Table 1 for correct wire size.
- b. Remove disconnect switch bracket by loosening the two screws on the right side.
- c. Install a cable clamp in the "knockout" in the top of back box.
- d. Insert power supply cable through cable clamp, allowing approximately 6" (152mm) of cable length to remain inside the back box to facilitate connections.

3. Mounting Back Box

- a. Place the back box into wall opening flush with finished wall surface on bottom and sides of box. (Top flange of back box should protrude approximately 1/2" or 12.7mm from finished wall surface).
- b. Secure the back box in place with wood screws or nails.

4. Wiring Disconnect Switch

- a. Connect the power supply wires to the blue wires of the disconnect switch using wire connectors (see wiring diagram, pg. 4.)
- b. Ground the back box using the green ground screw located in the inside top of the back box.
- c. Secure disconnect switch bracket in place by tightening screws.

Table 1

Catalog Number	Volts	Phase	Watts	Amps	Min. Supply Wire Gauge
WH3150	120	1	1500	12.5	12
WH3180	120	1	1800	15.0	12
WH4404*	240/208	1	4000/3000	16.7/14.5	10
			2000/1500	8.3/7.2	12
WH4407*	277/240	1	4000/3000	14.5/12.5	12
			2000/1500	7.2/6.3	12
WH4307*	277	1	3000/1500	10.8/5.4	12
WH4408*	208	1	4000/2000	19.2/9.6	10
WH44083	208	3	4000	11.1	14
WH44043	240	3	4000	9.7	14
WH4303	347	1	3000	8.6	14
WH4306	600	3	3000	3	14
WH4508	208	1	4800	23.1	10
WH4504	208/240	1	3600/4800	17.3/20.0	10
WH4507	240/277	1	3600/4800	15.0/17.3	10
WH45083	208	3	4800	13.3	12
WH45043	240	3	4800	11.6	14
WH4503	347	1	4800	13.8	12
WH4506	600	1	4800	8	14

*NOTE: Factory wired for higher wattage, field convertible to half wattage.

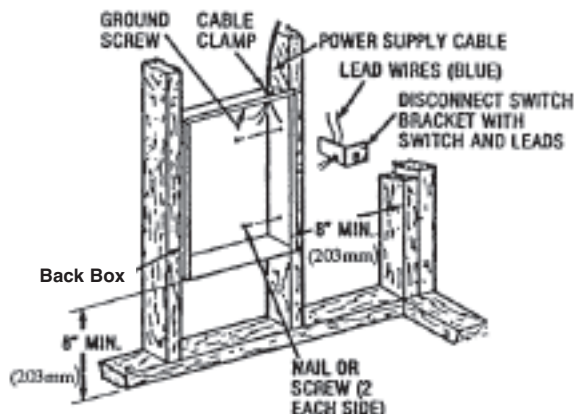


Fig. 1: Locating Back Box in New Construction

Installation of Recessed Back Box in New Construction

1. Mounting Back Box (See Figure 1).

- a. Place the back box between two 16" (406 mm) center-to-center wall studs at the desired mounting height but no closer than 8" (203 mm) to adjacent wall or floor.

Note: If wall studs are spaced greater than 16" on center, additional framing supports may be necessary.

- b. Align back box such that the bottom and sides will be flush with finished wall surface (top flange of back box should protrude approximately 1/2" (12.7 mm) from finished wall surface).
- c. Secure the back box in position with wood screws or nails as shown in Figure 1.

2. Power Supply Wiring (See Figure 1)

Note: Wire compartment volume - 119in³ (1950cm³).

- a. Run a power supply cable into the knockout area in the upper right hand corner of the back box. All wiring must be in accordance with National and Local Electrical Codes. Refer to Table 1 for correct wire size.
- b. Remove disconnect switch bracket by loosening two screws on the right side.
- c. Install a cable clamp in the "knockout" in the top of the back box.
- d. Insert power supply cable through cable clamp, allowing at least 6" (152mm) of leads to extend inside the back box. Connect the blue lead wires of disconnect switch to the supply wire leads using wire connectors (see wiring diagram, pg. 4).
- e. Ground the back box using the green screw located in the inside top of the back box.
- f. Secure disconnect switch bracket in place by tightening screws.

Note to Installer: Converting heater to half wattage

(Not applicable to WH3150 and WH3180, 120 Volt Models)

The WH Series wall heaters are manufactured and shipped at the higher rated wattage. Full wattage heaters can be converted to half wattage by doing the following steps.

1. Remove the red jumper wire as shown in Figure 3 and discard.
2. To permanently make the heater half wattage, cut the male terminal spade, carefully not to damage the cold pin and discard.
3. Mark the wattage of the heater on the white label inside the backbox.

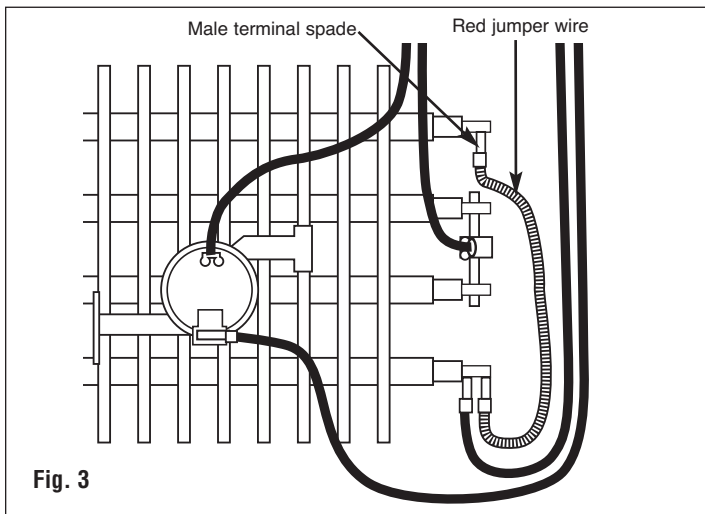


Fig. 3

Installation of Back Box with Optional Surface-Mounting Frame WHSM (See Figure 4)

1. Secure back box to wall with knockouts in upper right hand corner using screws and anchors.
2. Hang the surface-mounting frame on the back box. Ensure that the back edge of the surface-mounting frame is flush against the wall.

NOTE: If heater is located in a high traffic area, where it may be subjected to vandalism or abuse, take extreme care to see that the box is firmly attached to the wall.

3. Power Supply Wiring

NOTE: Wiring Compartment Volume - 119in³ (1950cm³).

- a. Run a power supply cable into the area to the right of the mounting frame. Arrangement of wiring to this point must be in accordance with National and Local codes. Refer to specifications on page 2 for proper wire size.

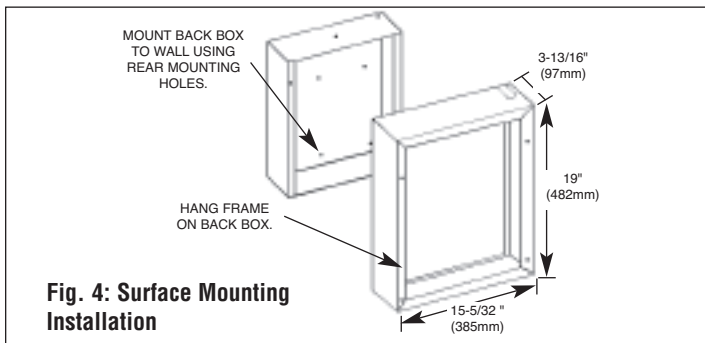


Fig. 4: Surface Mounting Installation

NOTE: If the wiring is to run through the wall, cut a hole in the area of the top of the back box. Run the supply wire through this hole. Then remove the "knockout" from the top of the box and proceed to step C.

- b. Remove the "knockout" on the top side of the frame.
- c. Remove disconnect switch bracket by loosening the two screws on the right side.
- d. Feed the power supply cable through the frame allowing 6" (152mm) of lead to remain inside the back box (using cable clamp, connector, or other suitable strain relief).
- e. Secure the power supply cable to the back box (using cable clamp, connector, or other suitable strain relief) allowing 6" (152mm) of lead to remain inside the back box.
- f. Connect supply wires to blue wires of disconnect switch using wiring connectors (see wiring diagram, pg. 4).
- g. Ground the back box by connecting the supply ground leadwire to the green ground screw located in the inside top of the back box.
- h. Secure disconnect switch bracket in place.

Installation of Heater Assembly and Grille

After back box is completely installed and no further construction dirt is expected, clean debris from back box and remove heater assembly from its carton. Then refer to Figure 5 and proceed as follows:

1. Insert the heater assembly into back box, placing the four mounting holes (with key-hole slots) over the screws in the box. Tighten all screws securely.
2. If surface-mounting frame is used, ensure that the frame is even with all four heater assembly tabs before tightening screws.
3. Connect the two disconnected switch wires to the heat control switch (thermostat) leads using wirenuts. After connection, push wires back into the opening.
4. Turn thermostat to the extreme counterclockwise position.
5. Push disconnect switch into ON position.
6. Latch at bottom of heater assembly should be in up position.
7. Mount grille over tabs on fan deck and push down until grille is secure.
8. Insert screwdriver through bottom louver in grille and loosen screw while holding bottom of grille against wall. This will allow latch to drop in place. Tighten screw.

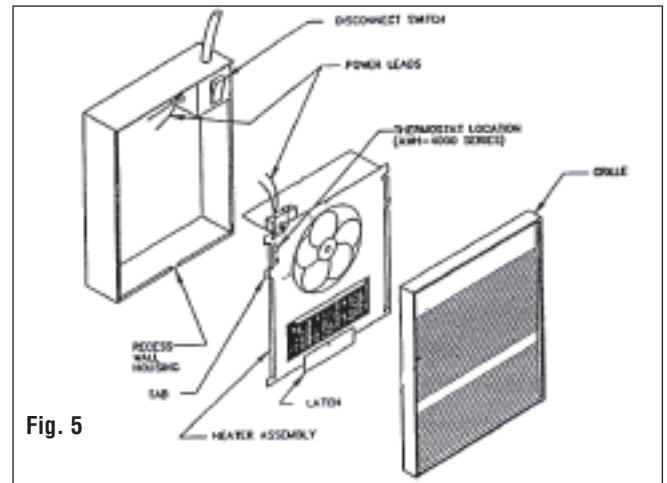


Fig. 5

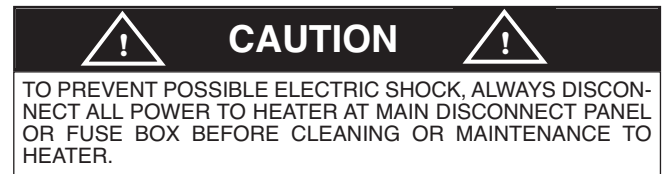
Operation

1. Rotate the thermostat fully clockwise. This should energize the heating elements and cause warm air to flow from the hot air discharge at the openings in the bottom of the grille.
2. After the operation check, rotate the thermostat to the desired position to obtain room comfort.

NOTE: For best results, the heater should be left "ON" constantly during the heating season because the thermostat, when properly set, will maintain the desired temperature.

Cleaning & Maintenance

To maintain optimum performance and efficiency, heater should be cleaned and checked periodically. It is recommended the heater be cleaned at least annually. (more often if used in a dirty environment)

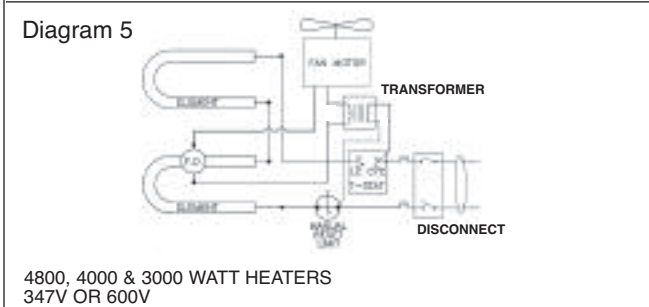
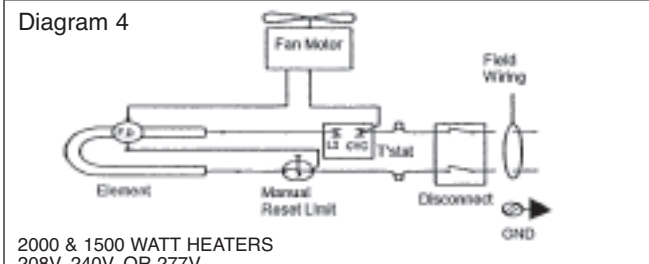
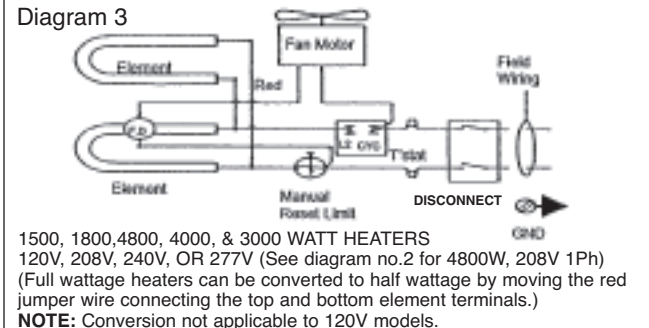
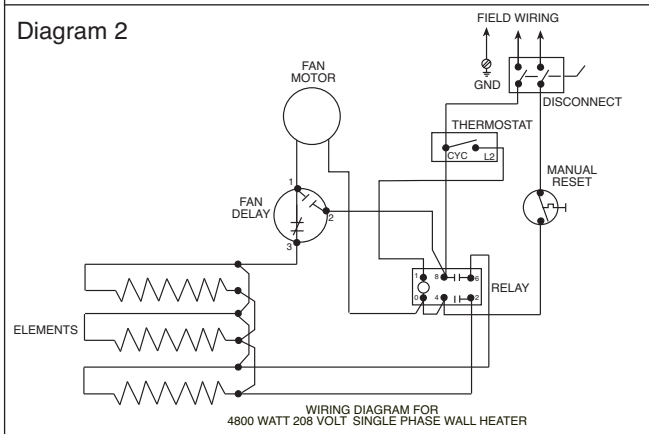
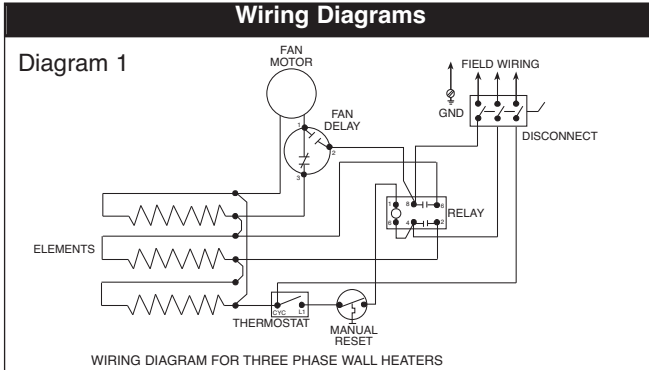


TO CLEAN HEATER:

1. Disconnect power to heater at main panel or breaker.
2. Remove thermostat knob (if provided) and remove front cover (grille) as follows: (See figure 4)
 - Insert screw driver through bottom louver and loosen one screw that holds latch mechanism.
 - Lift front cover upward and pull top outward to remove.
3. Push ON/OFF switch to OFF position.
4. Using vacuum cleaner nozzle, brush, or dust cloth, remove dust and any foreign material from heater. Use care to not bend fan blade or damage heater wiring. (Spin blade by hand to make sure it turns freely.)
5. Push ON/OFF switch to ON position.
6. Replace front cover and secure latch mechanism. (See installation of Heater Assembly and Grille.)
7. Reconnect power to heater and verify that heater operates properly.

TO RESET MANUAL RESET LIMIT:

Your heater is equipped with a manual reset safety thermal limit control that will automatically turn the heater off to prevent a fire if the heater overheats. This control is located on the fan panel assembly between the element and fan blade and marked "reset". The red reset button can be seen through the front grille when the heater is installed. To reset, allow the heater to cool, then push the red button that is visible through the hole in the fan panel. The heater should immediately return to normal operation.



NAMEPLATE

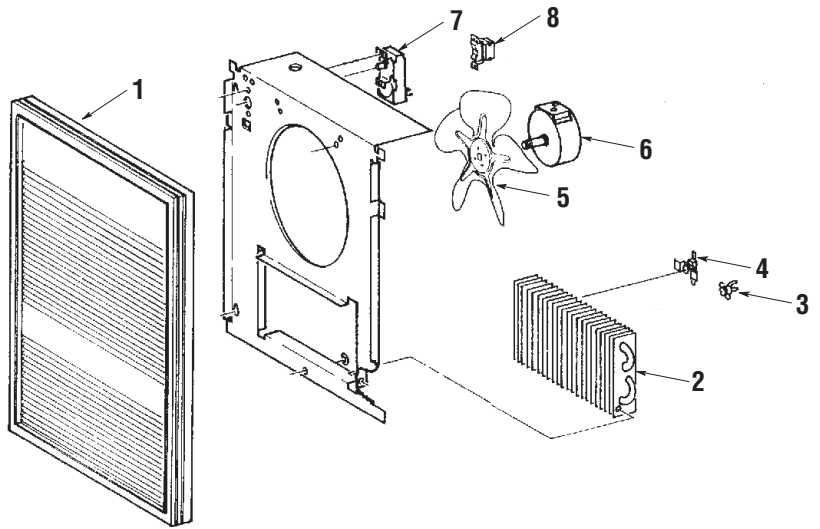
MODEL NO. WH45083	DATE CODE: 0206		
FAN FORCED WALL HEATER			
APPAREIL DE CHAUFFAGE MURAL À AIR PULSÉ			
VOLTS AC	60HZ	WATTS	PHASE
		HI LO	
208		4800	3

774G LISTED
ROOM HEATER

MUST BE USED WITH AWH-BB BACK BOX
 DO NOT OPERATE WITHOUT FRONT COVER IN PLACE.
 DOIT ÊTRE UTILISÉ AVEC BOÎTIER ARRIÈRE AWH-BB
 NE PAS UTILISER SI LE COUVERCLE AVANT N'EST PAS EN PLACE.
 MARLEY ENGINEERED PRODUCTS
 BENNETTSVILLE, SC 29512

Replacement Parts

Key No.	Description	Part Number
1	Grille Assembly : White Standard	2501-2003-004 2501-2003-007
2	Element, Single Phase: 208V; 4000W 208/240V; 3000/4000W 240/277V; 3000/4000W 277V; 3000W 208V; 4800W 208/240V; 3600/4800W 240/277V; 3600/4800W 120V; 1500W 120V; 1800W Element, 3-Phase: 208V; 4000W 208/240V; 3000/4000W 208V; 4800W 208/240V; 3600/4800W	302015807 302015808 302012809 302012806 1802-2075-801 302012810 302012811 302012827 302012828 1802-2075-800 1802-2075-802 1802-2075-801 1802-2075-803
3	Limit, Manual Reset	4520-0015-000
4	Fan Delay Fan Delay, 3 phase	410074001 4520-2024-000
5	Fan Blade	490030103
6	Motor:	277/240V 3900-2010-001 208/240V 3900-2010-000 120V 3900-2010-003
7	Thermostat	410168002
8	Disconnect	410170001
—	Relay: 208/240V	5018-2017-000



LIMITED WARRANTY

All products manufactured by Marley Engineered Products are warranted against defects in workmanship and materials for one year from date of installation, except heating elements which are warranted against defects in workmanship and materials for five years from date of installation. This warranty does not apply to damage from accident, misuse, or alteration; nor where the connected voltage is more than 5% above the nameplate voltage; nor to equipment improperly installed or wired or maintained in violation of the product's installation instructions. All claims for warranty work must be accompanied by proof of the date of installation.

The customer shall be responsible for all costs incurred in the removal or reinstallation of products, including labor costs, and shipping costs incurred to return products to Marley Engineered Products Service Center. Within the limitations of this warranty, inoperative units should be returned to the nearest Marley authorized service center or the Marley Engineered Products Center, and we will repair or replace, at our option, at no charge to you with return freight paid by Marley. It is agreed that such repair or replacement is the exclusive remedy available from Marley Engineered Products.

THE ABOVE WARRANTIES ARE IN LIEU OF ALL OTHER WARRANTIES EXPRESSED OR IMPLIED, AND ALL IMPLIED WARRANTIES OF MERCHANTABILITY AND FITNESS FOR A PARTICULAR PURPOSE WHICH EXCEED THE AFORESAID EXPRESSED WARRANTIES ARE HEREBY DISCLAIMED AND EXCLUDED FROM THIS AGREEMENT. MARLEY ENGINEERED PRODUCTS SHALL NOT BE LIABLE FOR CONSEQUENTIAL DAMAGES ARISING WITH RESPECT TO THE PRODUCT, WHETHER BASED UPON NEGLIGENCE, TORT, STRICT LIABILITY, OR CONTRACT.

Some states do allow the exclusion or limitation of incidental or consequential damages, so the above exclusion or limitation may not apply to you. This warranty gives you specific legal rights, and you may also have other rights which vary from state to state.

For the address of your nearest authorized service center, contact Marley Engineered Products in Bennettsville, SC, at 1-800-642-4328. Merchandise returned to the factory must be accompanied by a return authorization and service identification tag, both available from Marley Engineered Products. When requesting return authorization, include all catalog numbers shown on the products.

HOW TO OBTAIN WARRANTY SERVICE AND WARRANTY PARTS PLUS GENERAL INFORMATION

1. Warranty Service or Parts **1-800-642-4328**
2. Purchase Replacement Parts **1-800-654-3545**
3. General Product Information **www.marlymep.com**

Note: When obtaining service always have the following:

1. Model number of the product
2. Date of manufacture
3. Part number or description



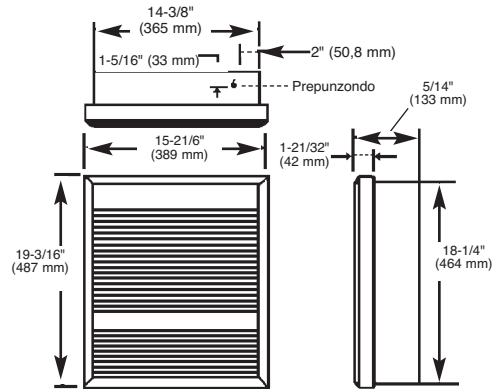
Marley
Engineered Products
470 Beauty Spot Rd. East
Bennettsville, SC 29512 USA

Part No. 5200-2630-003

ECR 38696
04/10



Calefactores de Pared con Ventilador Serie WH



Expediente E21609

Instrucciones de instalación y operación

Estimado Propietario:

¡Felicitaciones! Gracias por comprar este nuevo calefactor fabricado por Marley Engineered Products. Al seleccionar el producto de más alta calidad de la industria de calefacción, usted ha hecho una sabia inversión. Por favor, lea cuidadosamente las instrucciones de instalación y mantenimiento incluidas en este manual. Así podrá disfrutar de años de calefacción confortable y eficiente con este producto de Marley Engineered Products ... el líder de la industria en diseño, fabricación, calidad y servicio.

*... Los Empleados de
Marley Engineered Products*



ADVERTENCIA



Lea Cuidadosamente – Estas instrucciones están escritas para ayudarle a superar las dificultades que podrían surgir durante la instalación de calefactores. El estudio previo de estas instrucciones le ahorrará considerable tiempo y dinero en el futuro. Observe los procedimientos que siguen, y reducirá a un mínimo el tiempo de instalación.

PARA REDUCIR EL RIESGO DE INCENDIO O DE CHOQUE ELÉCTRICO:

1. Antes de proceder a tareas de cableado o de reparación del calefactor, corte la alimentación eléctrica al mismo desde el tablero principal de servicio.
2. Todo el cableado debe hacerse de conformidad con los Códigos Eléctricos Nacionales y Locales, y el calefactor debe conectarse a tierra.
3. Antes de aplicar alimentación eléctrica, verifique que el voltaje de alimentación de energía eléctrica que se suministra al calefactor concuerde con el voltaje nominal impreso en la placa de características del calefactor.
4. Cuando está en funcionamiento, el calefactor está caliente. Para evitar quemaduras, no permita que su piel haga contacto directo con las superficies calientes.
5. No inserte ni permita que entren objetos extraños en ninguna abertura de ventilación o de descarga, porque esto puede ser causa de choque eléctrico, incendio o daño al calefactor.
6. No bloquee entradas ni salidas de aire de ninguna manera. Mantenga los materiales combustibles, tales como embalajes de madera, cortinados, etc., alejados del calefactor. No lo instale detrás de puertas, muebles, toalleros o cajas.
7. Un calefactor tiene en su interior piezas calientes, y piezas en donde se producen arcos o chispas. No lo use en áreas donde se almacene gasolina, pintura o líquidos inflamables.
8. Use este calefactor únicamente en la forma prevista en este manual. Cualquier otra forma de uso no recomendada por el fabricante puede ser causa de incendio, choque eléctrico o daños personales.
9. Este calefactor no está aprobado para su uso en atmósferas corrosivas tales como áreas marítimas, invernaderos o lugares de almacenamiento de productos químicos.

GUARDE ESTAS INSTRUCCIONES

⚠ PRECAUCIÓN ⚠

PARA LOGRAR UNA OPERACIÓN SEGURA CON RIESGO REDUCIDO DE INCENDIO, LESIONES O DAÑO DEL CALEFACTOR, CUMPLA LAS SIGUIENTES RECOMENDACIONES:

- NO** utilice termostatos remotos con este calefactor. El termostato incorporado enciende y apaga **solo** el elemento calefactor. El control de retardo del ventilador enciende y apaga automáticamente el ventilador, y proporciona al ventilador una característica de apagado retardado para remover el calor residual después que el termostato ha apagado los elementos de calefacción. El procedimiento de cableado del calefactor que de cualquier manera anule la característica de apagado retardado del ventilador puede dar como resultado un sobrecalentamiento y daño permanente del calefactor, y anulará la garantía.
- Sólo para montaje en pared con la descarga de aire hacia abajo. **NO** lo instale en el piso, cielorraso, boca arriba (la descarga de aire hacia arriba), o de lado.
- NO** opere el calefactor sin la rejilla instalada.
- Mantenga las siguientes distancias:
 - Distancia desde la parte inferior del calefactor al piso – 203 mm (8")
 - Distancia desde los lados del calefactor a la pared adyacente: 203 mm (8")
 - Distancia desde la parte superior del calefactor al cielorraso: 915 mm (36")
- Este calefactor se calienta cuando está en uso. **No** instale el calefactor detrás de puertas, detrás de toalleros, dentro de gabinetes, en lugares donde las cortinas pudieran hacer contacto con el calefactor o dañarse por el calor, o lugares donde pudiera obstruirse la circulación de aire hacia el calefactor. Mantenga los cordones eléctricos, ropa de cama, muebles, y otros elementos, alejados del calefactor.
- El calefactor debe limpiarse periódicamente (al menos una vez al año) para garantizar un funcionamiento apropiado y evitar sobrecalentamiento. Véase la sección sobre limpieza y mantenimiento.

Instalación de la Caja Posterior Empotrable En Una Construcción Existente

- Corte una abertura de pared con ancho de 362 mm (14 1/2") por altura de 470 mm (18 1/2") a la altura de montaje deseada pero no inferior a 203 mm (8") del piso. (Véase Figura 2).

Nota: Elija la ubicación de modo que al menos un lado de la abertura coincida con un travesaño de la pared.

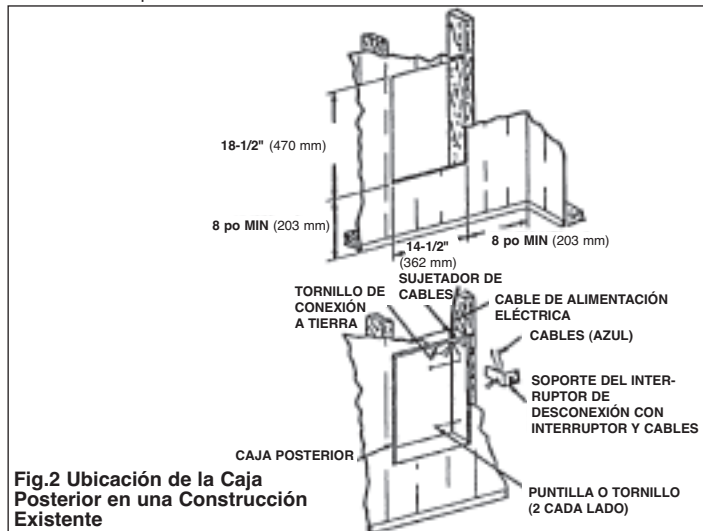


Fig.2 Ubicación de la Caja Posterior en una Construcción Existente

- Cableado de Alimentación Eléctrica

Nota: Volumen del Compartimiento de Cables – 1950 cm³ (119 plg³)

- Instale el cable de alimentación eléctrica dentro del área sobre la parte superior de la abertura de pared. Todo el cableado debe realizarse de acuerdo con los Códigos Eléctricos Nacionales y Locales. Remítase a la Tabla 1 para obtener el calibre correcto de cable.
- Remueva el soporte del interruptor de desconexión aflojando los dos tornillos en el lado derecho.
- Instale un sujetador de cables en el "prepunzonado" ubicado en la parte superior de la caja posterior.
- Inserte el cable de alimentación eléctrica a través del sujetador de cables, permitiendo que una longitud de cable de aproximadamente 152 mm (6") permanezca dentro de la caja posterior para facilitar las conexiones.

- Montaje de la Caja Posterior

- Coloque la caja posterior dentro de la abertura de pared al ras con la superficie de la pared terminada en la parte inferior y los lados de la caja. [El reborde superior de la caja posterior debe sobresalir aproximadamente 12,7 mm (1/2") a partir de la superficie de pared terminada].
- Asegure la caja posterior en su sitio mediante tornillos o puntillas para madera.

- Cableado del Interruptor de Desconexión

- Conecte los alambres de alimentación eléctrica con los cables azules del interruptor desconexión utilizando conectores de cables (véase diagrama de cableado, Pág. 4).
- Conecte a tierra la caja posterior utilizando el tornillo de conexión a tierra color verde ubicado en la parte superior interna de la caja posterior.
- Asegure en su sitio el soporte del interruptor de desconexión apretando los tornillos.

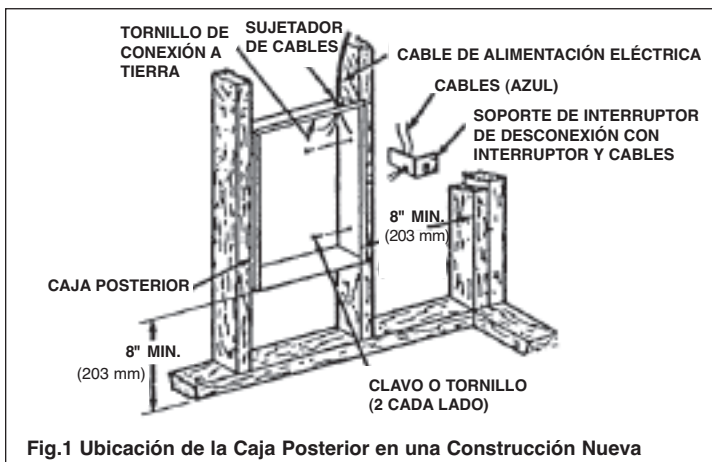


Fig.1 Ubicación de la Caja Posterior en una Construcción Nueva

Instalación de la Caja Posterior Empotrable en una Construcción Nueva

- Montaje de la Caja Posterior (Véase Figura 1).
 - Coloque la caja posterior entre dos travesaños de pared con distancia de centro a centro de 406 mm (16") a la altura de montaje deseada pero no inferior a 203 mm (8") con respecto al piso o pared adyacente.

Nota: Si los travesaños de la pared están espaciados a más de 406 mm (16") entre centros, puede que se necesiten soportes de armazón adicionales.

- Alinee la caja posterior de tal manera que la parte inferior y los lados queden al ras con la superficie de la pared terminada [el reborde superior de la caja posterior debe sobresalir aproximadamente 12,7 mm (1/2") desde la superficie de la pared terminada].
- Asegure en posición la caja posterior con tornillos o puntillas para madera según se muestra en la Figura 1.

- Cableado de Alimentación Eléctrica (Véase la Figura 1).

Nota: Volumen del compartimiento de cables – 1950 cm³ (119 plg³)

- Instale el cable de alimentación eléctrica dentro del área de prepunzonados ubicada en la esquina superior derecha de la caja posterior. Todo el cableado debe realizarse de acuerdo con los Códigos Eléctricos Nacionales y Locales. Remítase a la Tabla 1 para obtener el calibre correcto de cable.
- Remueva el soporte del interruptor de desconexión aflojando los dos tornillos en el lado derecho.
- Instale un sujetador de cables en el "prepunzonado" ubicado en la parte superior de la caja posterior.
- Inserte el cable de alimentación eléctrica a través del sujetador de cables, permitiendo que los cables se extiendan al menos 152 mm (6") dentro de la caja posterior. Conecte los cables azules del interruptor de desconexión con los cables de alimentación eléctrica utilizando conectores de cables (véase diagrama de cableado, Pág. 4).
- Conecte a tierra la caja posterior utilizando el tornillo verde ubicado en la parte superior interna de la caja posterior.
- Asegure el soporte del interruptor de desconexión en su sitio apretando los tornillos.

Tabla 1

Número de catálogo	Voltios	Watts Fase	(Wattios)	Amperios	Mínimo Calibre de Alambre
WH3150	120	1	1500	12.5	12
WH3180	120	1	1800	15.0	12
WH4404*	240/208	1	4000/3000 2000/1500	16.7/14.5 8.3/7.2	10 12
WH4407*	277/240	1	4000/3000 2000/1500	14.5/12.5 7.2/6.3	12 12
WH4307*	277	1	3000/1500	10.8/5.4	12
WH4408*	208	1	4000/2000	19.2/9.6	10
WH44083	208	3	4000	11.1	14
WH44043	240	3	4000	9.7	14
WH4303	347	1	3000	8.6	14
WH4306	600	3	3000	3	14
WH4508	208	1	4800	23.1	10
WH4504	208/240	1	3600/4800	17.3/20.0	10
WH4507	240/277	1	3600/4800	15.0/17.3	10
WH45083	208	3	4800	13.3	12
WH45043	240	3	4800	11.6	14
WH4503	347	1	4800	13.8	12
WH4506	600	1	4800	8	14

*NOTA : Cableado en fábrica para potencia (wattaje) más alta, convertible en campo para media potencia.

Nota para el Instalador: Conversión del calefactor para media potencia. (No aplicable a WH3150 y a WH3180, modelos de 120 voltios)

Los calefactores de pared Serie WH son fabricados y enviados ajustados en una potencia nominal más alta. Los calefactores de potencia plena pueden convertirse a media potencia realizando los siguientes pasos.

1. Retire el cable-puente rojo según se muestra enseguida y deséchelo.
2. Para obtener de manera permanente la media potencia del calefactor, corte la pala terminal macho, de manera cuidadosa para no dañar el pin de conexión en frío, y deséchela.
3. Marque la potencia (wattaje) del calefactor en la placa blanca de características ubicada dentro de la caja posterior.

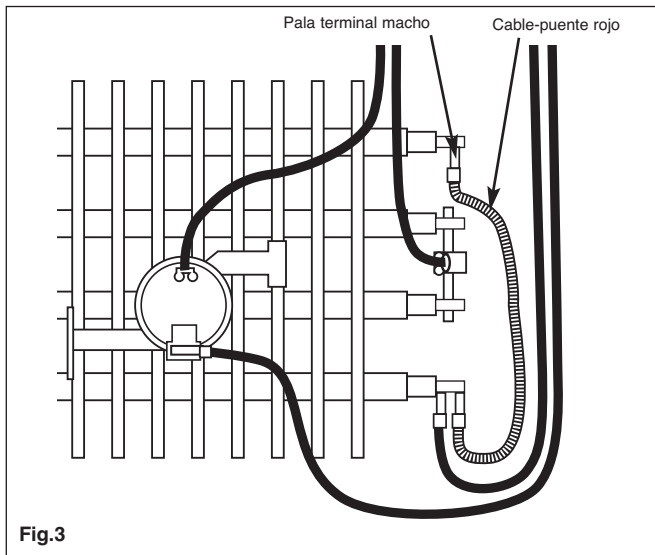


Fig.3
Instalación de Caja Posterior con Marco de Montaje en Superficie (Véase Figura 3)

1. Asegure en la pared la caja posterior con los prepunzonados en la esquina superior derecha utilizando tornillos y anclajes.
2. Coloque el marco de montaje en superficie sobre la caja posterior. Asegúrese que el borde posterior del marco de montaje en superficie está al ras con respecto a la pared.

NOTA: Si el calefactor está ubicado en una área de alto tráfico, donde éste pudiera ser sometido a vandalismo o abuso, observe con extremo cuidado si la caja está fijada firmemente a la pared.

3. Cableado de Alimentación Eléctrica

NOTA: Volumen del Compartimiento de Cables – 1950 plg³ (119 cm³)

- a. Tienda el cable de alimentación eléctrica dentro del área a la derecha del marco de montaje. La disposición del cableado hasta este punto debe realizarse de acuerdo con los Códigos Nacionales y Locales. Remítase a las especificaciones en la página 2 para obtener el calibre apropiado de cable.

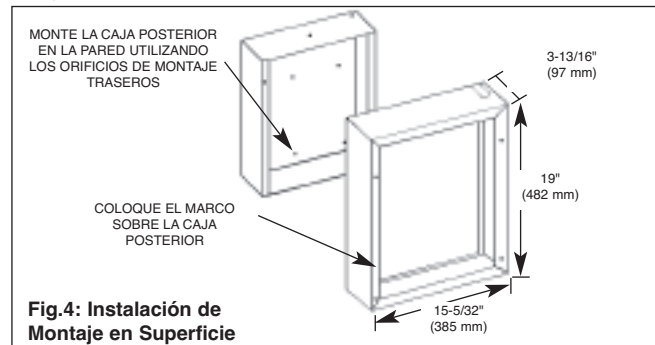


Fig.4: Instalación de Montaje en Superficie

NOTA: Si el cableado debe tenderse a través de la pared, corte un agujero en el área de la parte superior de la caja posterior. Tienda el cable de alimentación a través de este agujero. Luego remueva el "prepunzonado" de la parte superior de la caja y proceda al paso C.

- b. Remueva el "prepunzonado" en el lado superior del marco.
- c. Remueva el soporte del interruptor de desconexión aflojando los dos tornillos del lado derecho.
- d. Inserte el cable de alimentación eléctrica a través del marco permitiendo que una longitud de cable de 152 mm (6") permanezca dentro de la caja posterior (utilizando sujetador de cables, conector, u otro aliviador de esfuerzo mecánico apropiado).
- e. Asegure el cable de alimentación eléctrica a la caja posterior (utilizando sujetador de cables, conector, u otro aliviador de esfuerzo mecánico apropiado) permitiendo que una longitud de cable de 152 mm (6") permanezca dentro de la caja posterior.
- f. Conecte los cables de alimentación eléctrica con los cables azules del interruptor de desconexión utilizando conectores de cables (véase el diagrama de cableado, Pág. 4).
- g. Conecte a tierra la caja posterior conectando el cable de tierra con el tornillo de tierra color verde ubicado en la parte superior interna de la caja posterior.
- h. Asegure en su sitio el soporte del interruptor de desconexión.

Instalación del Conjunto calefactor y la Rejilla

Después que la caja posterior está completamente instalada y no se espera suciedad por construcción adicional, remueva los escobros de la caja posterior y remueva el conjunto calefactor de su empaque. Luego remítase a la Figura 4 y proceda de la siguiente manera:

1. Inserte el conjunto calefactor dentro de la caja posterior, colocando los cuatro agujeros de montaje (con ranuras de agujero chavetado) sobre los tornillos en la caja. Apriete firmemente todos los tornillos.
2. Si se utiliza marco de montaje en superficie, asegúrese que el marco está alineado con todas las cuatro lengüetas del conjunto calefactor antes de apretar los tornillos.
3. Conecte los dos cables del interruptor de desconexión con los cables del interruptor de control de calor (termostato) utilizando conectores de cables. Después de la conexión, empuje los cables de regreso dentro de la abertura.
4. Gire la perilla del termostato en sentido anti-horario hasta la posición extrema.
5. Coloque el interruptor de desconexión en la posición "ON".
6. El cerrojo en la parte inferior del conjunto calefactor debe estar en la posición arriba.
7. Monte la rejilla sobre las lengüetas ubicadas en la cubierta del ventilador y empuje hacia abajo hasta que la rejilla se asegure.
8. Inserte el atornillador a través de la abertura inferior en la rejilla y afloje el tornillo mientras sostiene la parte inferior de la rejilla contra la pared. Esto permitirá que el cerrojo ajuste en su sitio. Apriete el tornillo.

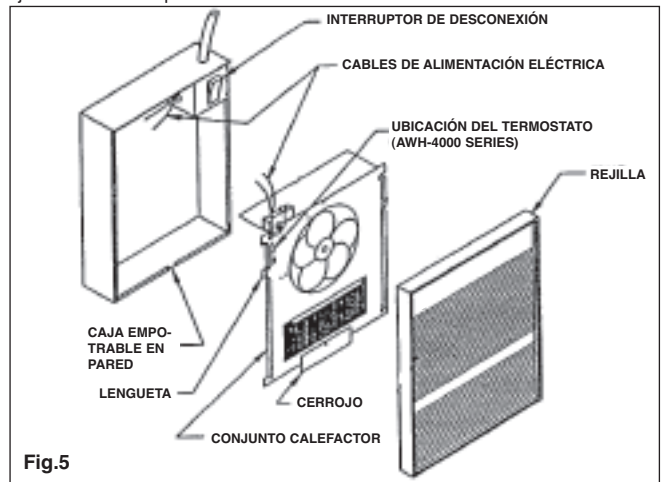


Fig.5

Operación

1. Gire en sentido horario hasta el tope la perilla del termostato. Esto debe energizar los elementos de calefacción y hacer que el aire caliente fluya desde la descarga de aire caliente (aberturas ubicadas en la parte inferior de la rejilla).
2. Después de verificar su operación, gire la perilla del termostato hasta la posición deseada para obtener una temperatura ambiente cómoda.

NOTA: Para obtener los mejores resultados, el calefactor debe dejarse en la posición "ON" de manera permanente durante el período de calentamiento ya que el termostato, cuando está ajustado apropiadamente, mantendrá la temperatura deseada.

Limpieza y Mantenimiento

Para mantener la eficiencia y funcionamiento óptimos, el calefactor debe limpiarse y revisarse periódicamente. Se recomienda limpiar el calefactor al menos una (1) vez al año (más frecuentemente si se utiliza en un ambiente sucio)

PRECAUCIÓN

PARA EVITAR POSIBLE CHOQUE ELÉCTRICO, SIEMPRE DESCONECTE TODA LA ALIMENTACIÓN ELÉCTRICA QUE VA HACIA EL CALEFACTOR, YA SEA DESDE EL TABLERO PRINCIPAL DE DESCONEXIÓN O DESDE LA CAJA DE FUSIBLES, ANTES DE LIMPIAR O PRESTAR EL SERVICIO DE MANTENIMIENTO AL CALEFACTOR.

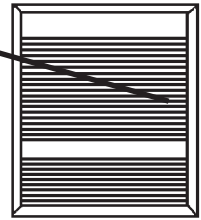
Para Limpiar el Calefactor:

1. Desconecte la alimentación eléctrica que va hacia el calefactor, ya sea desde el tablero principal o desde el interruptor automático (breaker).
2. Remueva la perilla del termostato (si se suministra) y remueva la cubierta frontal (rejilla) de la siguiente manera: (Véase la figura 4)
 - Inserte el atornillador a través de la persiana inferior y afloje un (1) tornillo que sostiene el mecanismo de cerrojo.
 - Levante la cubierta frontal hacia arriba y hale hacia afuera la parte superior para remover.
3. Coloque el interruptor ON/OFF en la posición "OFF".
4. Utilizando una boquilla limpiadora por vacío, un cepillo, o un trapo limpiador de polvo, remueva el polvo y cualquier material extraño del calefactor. Tenga cuidado de no doblar las aspas del ventilador o no dañar el cableado del calefactor. (Gire manualmente las aspas para garantizar que éstas giran libremente).
5. Coloque el interruptor ON/OFF en la posición "ON".
6. Coloque nuevamente la cubierta frontal y fije el mecanismo de cierre. (Véase la Instalación del Conjunto Calefactor y la Rejilla).
7. Reconecte la alimentación eléctrica que va hacia el calefactor y verifique que el calefactor funciona apropiadamente.

PARA REPOSICIONAR MANUALMENTE EL LÍMITE DE REPOSICIONAMIENTO

Su calefactor está equipado con un control de límite térmico de seguridad de reposicionamiento (reset) manual que apagará automáticamente el calefactor para evitar un incendio si el calefactor se sobrecalienta. Este control está ubicado en el panel del ventilador entre el elemento calefactor y las aspas del ventilador, y marcado "reset". El botón rojo de reposicionamiento (reset) puede observarse a través de la rejilla frontal cuando el calefactor está instalado. Para reposicionar, permita que el calefactor se enfríe, luego presione el botón rojo que es visible a través del agujero en el panel del ventilador. El calefactor debe regresar inmediatamente a la operación normal.

PLACA DE CARACTERÍSTICAS



MODEL NO. **WH45083** DATE CODE: **0695**

FAN FORCED WALL HEATER
 CALEFACTOR DE PARED CON VENTILADOR
 VOLTS AC 60HZ WATTS PHASE
 208 HI LO 4800 3



MUST BE USED WITH AWH-BB BACK BOX
 DO NOT OPERATE WITHOUT FRONT COVER IN PLACE.
 DEBE UTILIZARSE CON CAJA POSTERIOR AHW-BB.
 NO OPERAR SIN LA CUBIERTA FRONTAL EN SU SITIO.
 MARLEY ENGINEERED PRODUCTS
 BENNETTSVILLE, SC 29512

Diagramas de Cableado

Diagrama 1

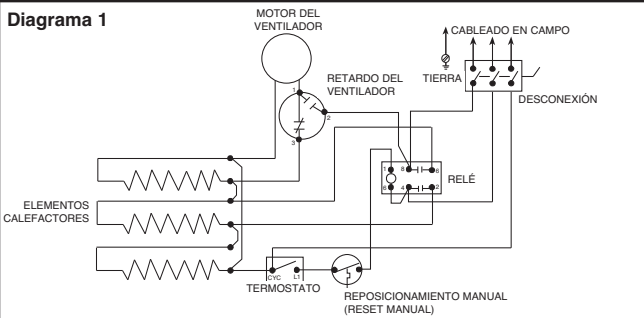


DIAGRAMA DE CABLEADO PARA CALEFACTORES TIPO PARED DE TRES FASES

Diagrama 2

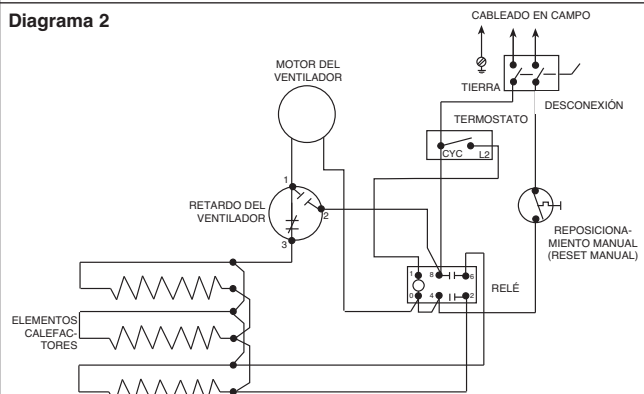
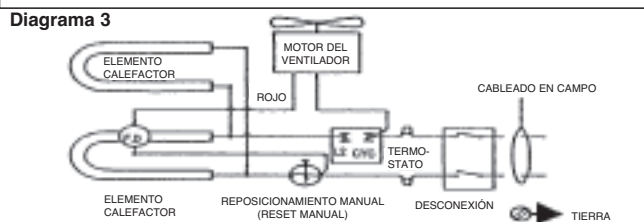


DIAGRAMA DE CABLEADO PARA CALEFACTORES TIPO PARED DE UNA (1) FASE, 4800 WATTS, 208 VOLTIOS

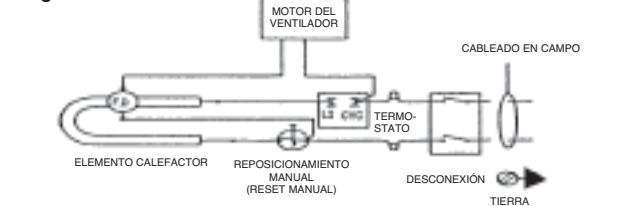
Diagrama 3



CALEFACTORES DE 1500, 1800 4800, 4000 & 3000 WATTS 208 V, 240 V, ó 277 V (Vease diagrama no. 2 para 4800W, 208V, una (1) fase.) (Los calefactores de potencia plena pueden convertirse a media potencia retirando el cableante rojo que conecta los terminales de los elementos calefactores superior e inferior).

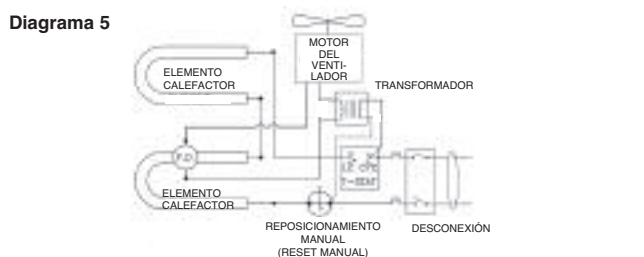
NOTA: La conversión de potencia (watts) no es aplicable a los modelos

Diagrama 4



CALEFACTORES DE 2000 & 1500 WATTS
 208 V, 240 V, ó 277 V

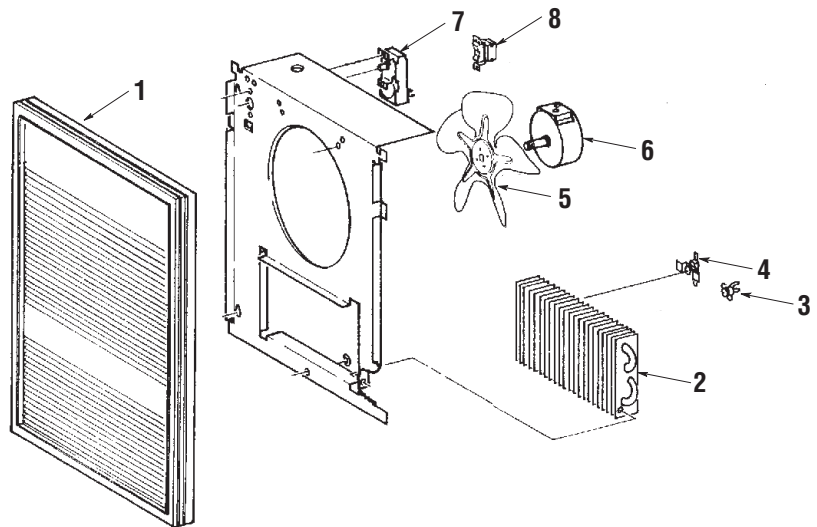
Diagrama 5



CALEFACTORES DE 4800, 4000 & 3000 WATTS 347 V ó 600 V

Piezas de repuesto

Nº clave	Descripción	Número de parte
1	Rejilla : Blanco Estándar	2501-2003-004 2501-2003-007
2	Élément, monofásico: 208V; 4000W 208/240V; 3000/4000W 240/277V; 3000/4000W 277V; 3000W 208V; 4800W 208/240V; 3600/4800W 240/277V; 3600/4800W 120V; 1500W 120V; 1800W Élément, 3 fases: 208V; 4000W 208/240V; 3000/4000W 208V; 4800W 208/240V; 3600/4800W	302015807 302015808 302012809 302012806 1802-2075-801 302012810 302012811 302012827 302012828 1802-2075-800 1802-2075-802 1802-2075-801 1802-2075-803
3	Reposición manual	4520-0015-000
4	Retardo de ventilador Retardo de ventilador, 3 fases	410074001 4520-2024-000
5	Paleta del ventilador	490030103
6	Motor: 277/240V 208/240V 120V	3900-2010-001 3900-2010-000 3900-2010-003
7	Termostato	410168002
8	Interruptor de desconexión	410170001
—	Relais: 208/240V	5018-2017-000



GARANTIA LIMITADA

Todos los productos fabricados por Marley Engineered Products están garantizados contra defectos de manufactura y de materiales por un año desde la fecha de instalación, excepto los elementos calefactores, que están garantizados contra defectos de manufactura y de materiales por cinco años desde la fecha de instalación. Esta garantía no se aplica a daños debidos a accidente, mal uso o alteración, ni en los casos en que la tensión eléctrica conectada supere a la tensión nominal -indicada en la placa de características- en más de un 5 %, ni a equipos que hayan sido instalados incorrectamente, o cableados o mantenidos en violación a las instrucciones de instalación del producto. Todo reclamo por trabajos bajo garantía debe acompañarse con una prueba de la fecha de instalación.

El cliente será responsable de todos los costos incurridos en el retiro o reinstalación de productos, incluyendo los costos de mano de obra y los costos de envío incurridos para regresar productos al Centro de Servicio de Marley Engineered Products. Dentro de las limitaciones de esta garantía, las unidades que no funcionan deben regresarse al centro de servicio autorizado Marley más cercano, o al Centro de Servicio de Marley Engineered Products, y nosotros lo repararemos o reemplazaremos, a nuestra opción, sin cargo para usted, con el flete de retorno pagado por Marley. Se acuerda que tal reparación o reemplazo es el único recurso que Marley Engineered Products pone a su disposición.

LAS GARANTÍAS EXPUESTAS MÁS ARRIBA TOMAN EL LUGAR DE TODA OTRA GARANTÍA, EXPRESA O IMPLÍCITA, Y POR LA PRESENTE SE DECLINA Y EXCLUYE DE ESTE ACUERDO TODA GARANTÍA IMPLÍCITA DE COMERCIABILIDAD Y ADECUACIÓN A UN PROPÓSITO PARTICULAR QUE EXCEDA LAS GARANTÍAS EXPRESAS ANTEDICHAS. MARLEY ENGINEERED PRODUCTS NO SE HARÁ RESPONSABLE POR DAÑOS CONSIGUIENTES QUE SE PRODUZCAN CON RESPECTO AL PRODUCTO, EN BASE YA SEA A NEGLIGENCIA, AGRAVIO, RESPONSABILIDAD ESTRUCTIVA, O CONTRATO.

Algunos estados o jurisdicciones no permiten la exclusión o limitación de daños incidentales o consiguientes, de modo que la exclusión o limitación expresada más arriba puede no aplicarse a su caso. Esta garantía le da derechos legales específicos, y usted puede tener también otros derechos, que varían de un estado o jurisdicción a otro.

Para obtener la dirección de su centro de servicio autorizado más cercano, comuníquese con Marley Engineered Products (Bennettsville, SC, Estados Unidos de América), llamando al 1-800-642-4328. Toda mercadería regresada a la fábrica debe ser acompañada por una autorización de retorno y una etiqueta de identificación de servicio, ambas obtenibles en Marley Engineered Products. Cuando solicite la autorización de retorno, incluya todos los números de catálogo mostrados en los productos.

COMO OBTENER SERVICIO EN GARANTIA, PIEZAS DE REPUESTO E INFORMACION GENERAL

- Servicio o repuestos, en garantía: **1-800-642-4328**
- Compra de piezas de repuesto: **1-800-654-3545**
- Información general sobre productos: **www.marleymep.com**

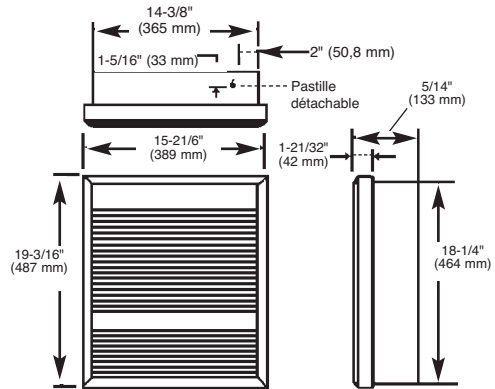
Nota: Cuando solicite servicio, siempre dé la información que sigue:

- Número de modelo del producto
- Fecha de fabricación
- Número de parte o descripción



**470 Beauty Spot Rd. East
Bennettsville, SC 29512 USA**

Radiateurs muraux avec ventilateur série WH



FICHER N° E21609

Instructions de montage et d'entretien

Cher propriétaire,

Félicitations ! Merci d'avoir acheté ce nouveau radiateur fabriqué par une division de Marley Engineered Products. Vous avez fait un sage investissement en sélectionnant un produit de la plus haute qualité dans l'industrie du chauffage. Veuillez lire avec soin les recommandations d'installation et d'entretien données dans ce manuel. Vous devriez bénéficier d'années de confort de chauffage efficace avec ce produit de Marley Engineered Products... le numéro un de cette industrie en conception, fabrication, qualité et service.

*... les employés de
Marley Engineered Products*



AVERTISSEMENT



Lire attentivement - Ces instructions ont été écrites pour aider à prévenir les difficultés pouvant survenir lors de l'installation des radiateurs. Si vous étudiez ces instructions d'abord, vous pourrez ensuite économiser beaucoup de temps et d'argent. Suivez les procédures ci-dessous et vous pourrez minimiser votre temps d'installation.

POUR RÉDUIRE LES RISQUES D'INCENDIE ET D'ÉLECTROCUTION :

- Avant de réaliser le câblage ou une réparation, déconnectez toutes les sources d'alimentation du radiateur au niveau du tableau de distribution principal.
- Tous les fils et connexions électriques doivent être conformes aux normes électriques nationales et locales. De plus, le radiateur doit être mis à la terre.
- Avant de faire fonctionner le radiateur, assurez-vous que la tension d'alimentation correspond aux valeurs nominales imprimées sur la plaque signalétique de l'appareil.
- Lorsque ce radiateur fonctionne, il devient chaud. Pour éviter les brûlures ne touchez pas les surfaces chaudes avec la peau.
- Il ne faut jamais insérer ni laisser entrer des corps étrangers dans les orifices d'aération ou d'échappement, au risque de provoquer une électrocution, un incendie ou des dommages au radiateur.
- Il ne faut jamais obstruer les orifices d'aération ou d'échappement. Gardez les matériaux combustibles (caisses, rideaux, etc.) à bonne distance du radiateur. N'installez pas cet appareil derrière une porte, un meuble, des serviettes ou des boîtes.
- À l'intérieur d'un radiateur, il y a des pièces chaudes et des composants produisant des étincelles. Ne l'utilisez pas dans un endroit où de l'essence, de la peinture ou d'autres liquides inflammables sont entreposés.
- Restreignez l'utilisation de ce radiateur aux usages prévus dans ce manuel. Tout autre usage non recommandé par le fabricant peut causer un incendie, une électrocution et d'autres blessures.
- Ce radiateur n'est pas conçu pour fonctionner dans une atmosphère corrosive, notamment dans une serre, une installation maritime ou un entrepôt de produits chimiques.

CONSERVEZ CES INSTRUCTIONS



MISE EN GARDE



POUR UN FONCTIONNEMENT SÉCURITAIRE, AINSI QUE POUR ÉVITER DE CAUSER UN INCENDIE, DES BLESSURES OU DES DOMMAGES AU RADIATEUR, OBSERVEZ LES CONSIGNES SUIVANTES :

1. Avec ce radiateur, **n'utilisez PAS** de thermostat à distance. Seul le thermostat intégré peut faire fonctionner l'élément chauffant. Une commande avec dispositif de retard fait automatiquement démarrer et arrêter le ventilateur et procure une fonction d'arrêt retardé pour évacuer la chaleur résiduelle lorsque le thermostat a arrêté les éléments chauffants. Toute installation électrique du radiateur modifiant la fonction d'arrêt retardé du ventilateur risque de causer une surchauffe et des dommages permanents au radiateur, auquel cas la garantie serait annulée.
2. Cet appareil est conçu uniquement pour une installation murale avec évacuation d'air vers le bas. **Ne l'installez PAS** sur le sol, sur un plafond, à l'envers (avec l'évacuation d'air vers le haut) ni sur le côté.
3. **N'utilisez PAS** le radiateur lorsque la grille est enlevée.
4. Préservez les dégagements minimaux suivants :
 - Entre le bas du radiateur et le sol – 203 mm (8 po)
 - Entre les côtés du radiateur et les murs adjacents – 203 mm (8 po)
 - Entre le haut du radiateur et le plafond – 915 mm (36 po)
5. Lorsque ce radiateur fonctionne, il est très chaud. Il ne faut **PAS** installer le radiateur derrière la porte, derrière un support à serviette, dans un placard, derrière un rideau pouvant toucher le radiateur ou être endommagé par la chaleur, ainsi que dans un endroit où la circulation d'air autour du radiateur peut être obstruée. Maintenez les fils électriques, les articles de lit, les meubles et tout autre objet à bonne distance du radiateur.
6. Le radiateur doit être nettoyé périodiquement (au moins annuellement) pour en assurer un bon fonctionnement et éviter les surchauffes (voir la section sur le nettoyage et l'entretien).

Installation du boîtier arrière encastré dans une construction existante

1. À la hauteur d'installation désirée, pratiquer une ouverture murale ayant une largeur de 14 1/2 po (362 mm) et une hauteur de 18 1/2 po (470 mm), tout en préservant un dégagement d'au moins 8 po (203 mm) avec le sol (voir la figure 2).

REMARQUE : Positionnez de façon à ce que au moins un côté de l'ouverture soit contre un poteau mural.

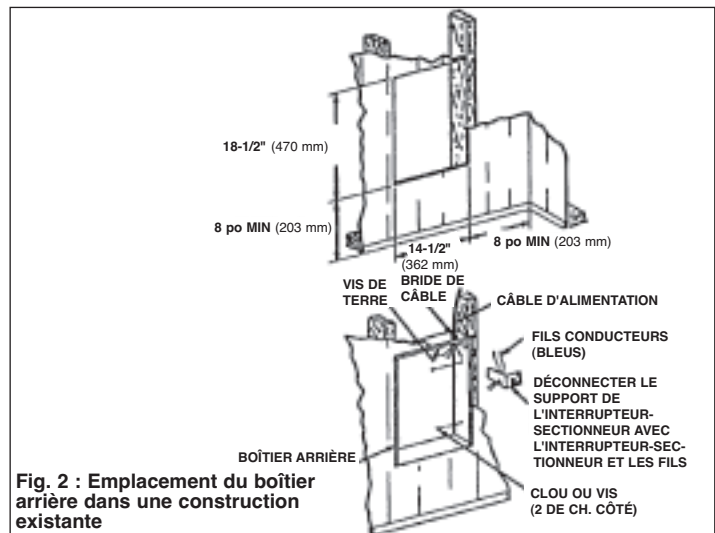


Fig. 2 : Emplacement du boîtier arrière dans une construction existante

2. Installation des fils électriques

Remarque – Volume du compartiment de câblage : 119 po³ (1950 cm³)

- a. Faites passer un câble d'alimentation électrique au-dessus de l'orifice mural. Tout le câblage doit respecter les normes électriques nationales et locales (voir les grosseurs de fil dans le tableau 1).
- b. Enlevez le support de l'interrupteur-sectionneur en desserrant les deux vis sur le côté droit.
- c. Dans le trou de passage en haut du boîtier arrière, installez une bride de câble.
- d. Insérez le câble d'alimentation dans la bride, en laissant dépasser au moins 6 po (152 mm) de câble à l'intérieur du boîtier arrière pour faciliter les connexions.

3. Montage du boîtier arrière

- a. Placez le boîtier arrière dans l'ouverture murale de façon à ce que le bas et les côtés du boîtier soient à égalité avec la surface finie du mur (le rebord supérieur du boîtier arrière doit dépasser la surface finie du mur sur environ 1/2 po ou 12,7 mm).
- b. Avec des clous ou des vis à bois, fixez le boîtier arrière.

4. Câblage de l'interrupteur-sectionneur

- a. Avec des serre-fils, connectez les fils conducteurs bleus de l'interrupteur-sectionneur aux fils conducteurs d'alimentation (voir le schéma de câblage en page 4).
- b. Faites la mise à la terre du boîtier arrière avec la vis verte située dans le haut du contour intérieur du boîtier arrière.
- c. Serrez les vis du support d'interrupteur-sectionneur jusqu'à ce qu'il soit solidement fixé.

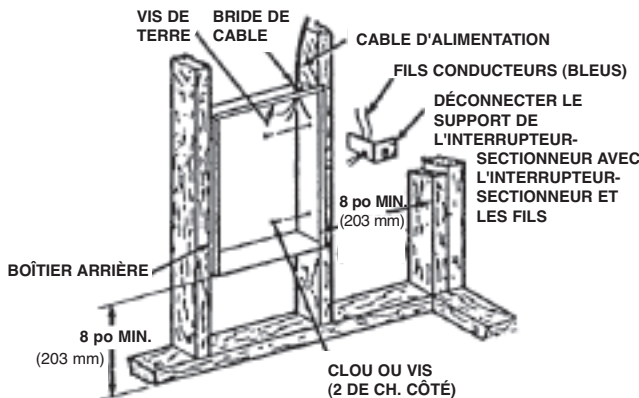


Fig. 1 : Emplacement du boîtier arrière dans une construction neuve

Installation du boîtier arrière encastré dans une construction neuve

1. Montage du boîtier arrière (voir la figure 1).

- a. Placez le boîtier arrière entre deux poteaux muraux, espacés de 16 po (406 mm) d'un centre à l'autre, à la hauteur désirée tout en faisant attention de préserver un dégagement d'au moins 8 po (203 mm) avec le sol et le mur le plus près.

Remarque : Si l'écartement entre poteaux muraux fait plus de 16" d'entraxe, des supports d'encadrement additionnels peuvent être nécessaires.

- b. Alignez le boîtier arrière de façon à ce que le bas et les côtés soient à égalité avec la surface finie du mur (le rebord supérieur du boîtier arrière doit dépasser la surface finie du mur sur environ 1/2 po ou 12,7 mm).
- c. Avec des clous ou des vis à bois, fixez le boîtier arrière conformément à la figure 1.

2. Installation des fils électriques (voir la figure 1)

Remarque – Volume du compartiment de câblage : 119 po³ (1950 cm³).

- a. Faites passer un câble d'alimentation électrique dans l'orifice de passage du coin supérieur droit du boîtier arrière. Tout le câblage doit respecter les normes électriques nationales et locales (voir les grosseurs de fil dans le tableau 1).
- b. Enlevez le support de l'interrupteur-sectionneur en desserrant les deux vis sur le côté droit.
- c. Dans le trou de passage en haut du boîtier arrière, installez une bride de câble.
- d. Insérez le câble d'alimentation dans la bride, en laissant dépasser au moins 6 po (152 mm) de fils conducteurs à l'intérieur du boîtier arrière. Avec des serre-fils, connectez les fils conducteurs bleus de l'interrupteur-sectionneur aux fils conducteurs d'alimentation (voir le schéma de câblage en page 4).
- e. Faites la mise à la terre du boîtier arrière avec la vis verte située dans le haut du contour intérieur du boîtier arrière.
- f. Serrez les vis du support d'interrupteur-sectionneur jusqu'à ce qu'il soit solidement fixé.

Tableau 1

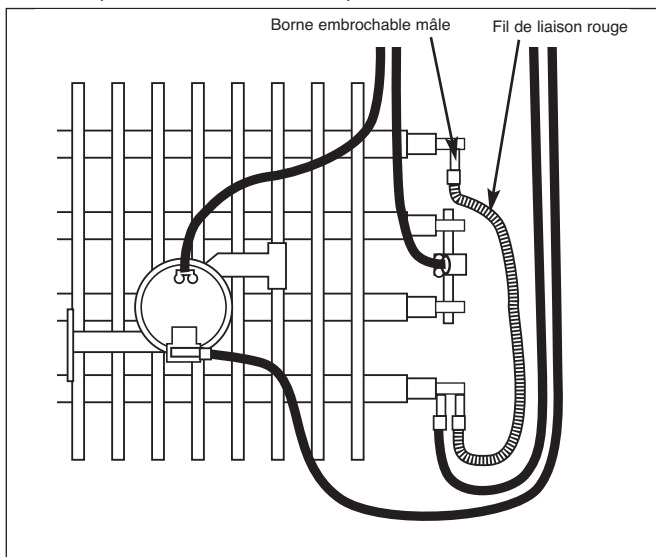
Référence	Volts	Phase	Watts	Ampères	Grosueur des fils
WH3150	120	1	1500	12.5	12
WH3180	120	1	1800	15.0	12
WH4404*	240/208	1	4000/3000 2000/1500	16.7/14.5 8.3/7.2	10 12
WH4407*	277/240	1	4000/3000 2000/1500	14.5/12.5 7.2/6.3	12 12
WH4307*	277	1	3000/1500	10.8/5.4	12
WH4408*	208	1	4000/2000	19.2/9.6	10
WH44083	208	3	4000	11.1	14
WH44043	240	3	4000	9.7	14
WH4303	347	1	3000	8.6	14
WH4306	600	3	3000	3	14
WH4508	208	1	4800	23.1	10
WH4504	208/240	1	3600/4800	17.3/20.0	10
WH4507	240/277	1	3600/4800	15.0/17.3	10
WH45083	208	3	4800	13.3	12
WH45043	240	3	4800	11.6	14
WH4503	347	1	4800	13.8	12
WH4506	600	1	4800	8	14

*REMARQUE : Câblé en usine pour une puissance supérieure; peut être converti sur place pour une puissance en watts deux fois moindre.

Avis à l'installateur: Conversion du radiateur pour une puissance moitié moindre (non applicable à WH3150 et à WH3180, modèles de 120 volts)

Les radiateurs muraux de la série WH sont fabriqués et expédiés pour fonctionner avec la puissance nominale maximale (en watts). Les radiateurs conçus pour fonctionner à pleine puissance peuvent être convertis à une puissance moitié moindre, simplement en exécutant les opérations suivantes :

1. Enlevez le fil de liaison rouge (voir l'illustration ci-dessous) et jetez-le.
2. Pour que le radiateur fonctionne en permanence à une puissance moitié moindre, coupez délicatement la borne embrochable mâle, sans endommager la broche de froid, puis jetez-la.
3. Inscrivez la puissance du radiateur sur l'étiquette blanche à l'intérieur du boîtier arrière.



Installation du boîtier arrière avec cadre monté en surface (voir la figure 3)

1. Avec des vis et des chevilles d'ancrage, fixez le boîtier arrière au mur avec les trous de passage placés dans le coin supérieur droit.
2. Accrochez le cadre de montage en surface sur le boîtier arrière. Assurez-vous que le rebord arrière du cadre de montage en surface est à égalité avec la surface du mur.

REMARQUE : Si le radiateur est installé dans une zone très passante, où il risque de faire l'objet d'actes de vandalisme ou d'abus, assurez-vous que le boîtier est solidement fixé au mur.

3. Installation des fils électriques

REMARQUE – Volume du compartiment de câblage : 119 po³ (1950 cm³)

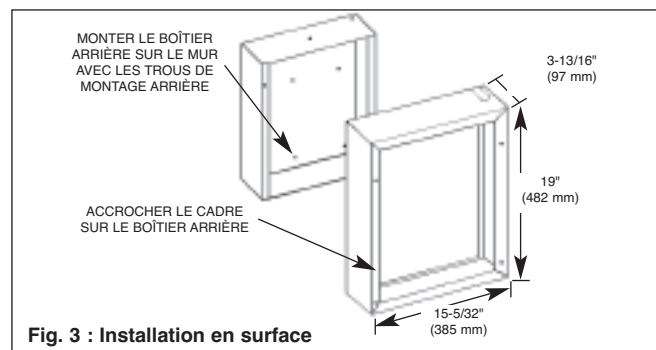


Fig. 3 : Installation en surface

- a. Faites passer un câble d'alimentation dans la zone à droite du cadre de montage. L'installation du câble doit respecter les normes électriques nationales et locales (voir les grosseurs de fil dans le tableau de la page 2).

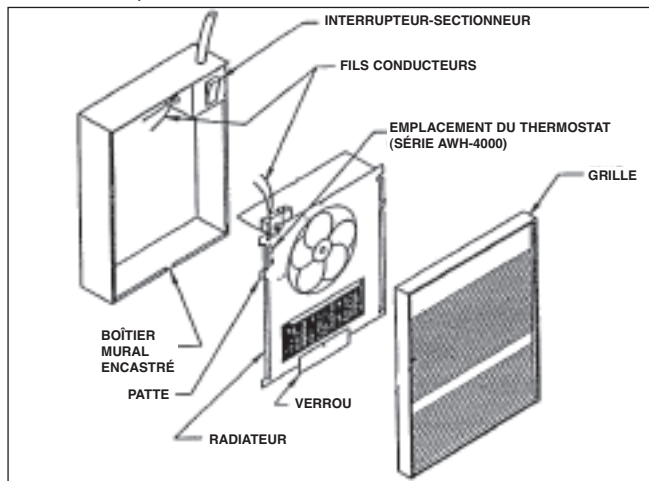
REMARQUE : Si le câblage doit passer dans le mur, découpez un trou dans la zone au dessus du boîtier arrière. Faites passer le fil d'alimentation dans ce trou. Ensuite, enlevez la « pastille détachable » sur le dessus du boîtier, puis passez à l'étape C.

- b. Enlevez la « pastille détachable » sur le haut du boîtier.
- c. Enlevez le support de l'interrupteur-sectionneur en desserrant les deux vis sur le côté droit.
- d. Faites passer le câble d'alimentation dans le cadre en laissant 6 po (152 mm) de fil conducteur à l'intérieur du boîtier arrière (avec une bride de câble, un serre-fils ou un autre dispositif anti-tension approprié).
- e. Fixez le câble d'alimentation sur le boîtier arrière (avec une bride de câble, un serre-fils ou un autre dispositif anti-tension approprié) en laissant 6 po (152 mm) de fil conducteur à l'intérieur du boîtier arrière.
- f. Avec des serre-fils, connectez les fils conducteurs bleus de l'interrupteur-sectionneur aux fils conducteurs d'alimentation (voir le schéma de câblage en page 4).
- g. Faites la mise à la terre du boîtier arrière en connectant le fil de terre à la vis verte située dans le haut du contour intérieur du boîtier arrière.
- h. Serrez les vis du support d'interrupteur-sectionneur jusqu'à ce qu'il soit solidement fixé.

Installation du radiateur et de la grille

Lorsque le boîtier arrière est complètement installé et qu'aucun nouveau débris de construction ne devrait être produit, nettoyez les saletés sur le boîtier arrière, puis sortez le radiateur de sa boîte. Ensuite, reportez-vous à la figure 4 et procédez comme suit :

1. Insérez le radiateur dans le boîtier arrière, en plaçant les quatre trous de montage (avec les fentes en trou de serrure) sur les vis du boîtier. Serrez solidement toutes les vis.
2. Si un cadre de montage en surface est utilisé, assurez-vous que le cadre est à égalité avec les quatre pattes d'assemblage du radiateur avant de serrer les vis.
3. Avec des serre-fils, connectez les deux fils d'interrupteur débranchés aux fils de l'interrupteur de l'élément chauffant (thermostat). Après avoir réalisé cette connexion, repoussez les fils dans l'ouverture.
4. Tournez le thermostat au maximum dans le sens anti-horaire.
5. Placez l'interrupteur-sectionneur sur ON.
6. Le verrou à la base du radiateur devrait être relevé.
7. Installez la grille sur les pattes du cadre du ventilateur, puis enfoncez la grille jusqu'à ce qu'elle tienne solidement.
8. Insérez un tournevis dans le volet inférieur de la grille et desserrez la vis tout en tenant le bas de la grille contre le mur. Cette opération permettra au verrou de descendre à sa place. Resserrez ensuite la vis.



Utilisation

1. Faites tourner le thermostat au maximum dans le sens horaire. Cette opération devrait activer les éléments chauffants et faire sortir de l'air chaud par les orifices d'évacuation d'air chaud à la base de la grille.
2. Après cette vérification de fonctionnement, faites tourner le thermostat à la position de confort désirée.

REMARQUE : Pour de meilleurs résultats, le radiateur doit être continuellement laissé en marche durant la saison froide. Lorsque le thermostat est bien réglé, la température ambiante est maintenue stable.

Nettoyage et entretien

Pour que le rendement et l'efficacité du radiateur demeurent à un niveau optimal, ce dernier doit être nettoyé et vérifié périodiquement. Il est recommandé de nettoyer le radiateur au moins une fois l'an (plus souvent s'il est utilisé dans un environnement poussiéreux).



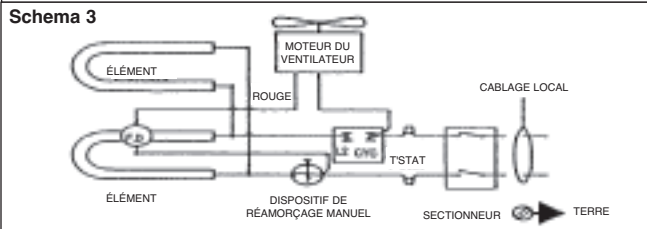
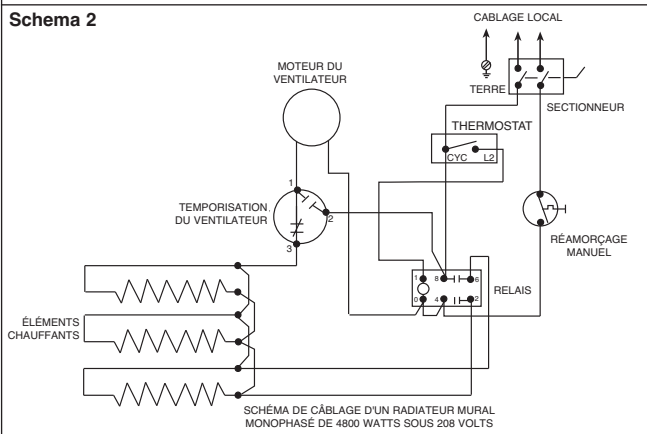
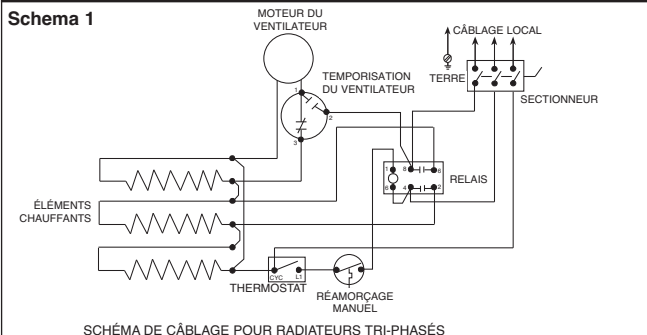
Pour nettoyer le radiateur :

1. Déconnectez l'alimentation électrique du radiateur sur le tableau de distribution ou en abaissant le disjoncteur correspondant.
2. Enlevez le bouton du thermostat (s'il y a lieu) et enlevez la grille avant en procédant comme suit (voir la figure 4) :
 - Insérez un tournevis dans le volet inférieur et desserrez la vis retenant le mécanisme de verrouillage.
 - Tirez la grille avant vers le haut puis vers l'extérieur pour l'enlever.
3. Placez l'interrupteur en position d'arrêt (OFF).
4. Avec le bec d'époussetage d'un aspirateur, une brosse ou un chiffon à épousseter, enlevez la poussière et toutes les autres saletés accumulées sur le radiateur. Faites attention de ne pas endommager les pales du ventilateur ni le câblage électrique de l'appareil (faites tourner l'hélice à la main pour vous assurer qu'elle tourne librement).
5. Placez l'interrupteur en position de marche (ON).
6. Remplacez la grille avant et enclenchez le verrou (voir la procédure d'installation du radiateur et de la grille).
7. Reconnectez l'alimentation électrique du radiateur et assurez-vous qu'il fonctionne correctement.

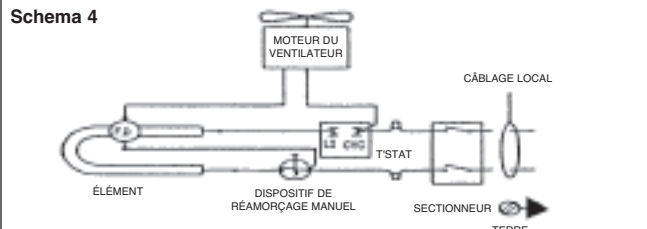
UTILISATION DU COMMUTATEUR DE RÉAMORÇAGE MANUEL :

Votre radiateur est équipé d'un détecteur de surchauffe avec commutateur de réamorçage manuel qui arrête automatiquement le radiateur s'il surchauffe, afin de réduire les risques d'incendie. Ce dispositif est situé sur le panneau du ventilateur entre l'élément chauffant et l'hélice du ventilateur. Il porte l'inscription « reset ». Le bouton rouge de réamorçage est visible au travers de la grille avant lorsque le radiateur est bien installé. Pour réamorcer le radiateur, laissez-le refroidir, puis enfoncez le bouton rouge visible dans le trou du panneau du ventilateur. Le radiateur devrait immédiatement reprendre son fonctionnement normal.

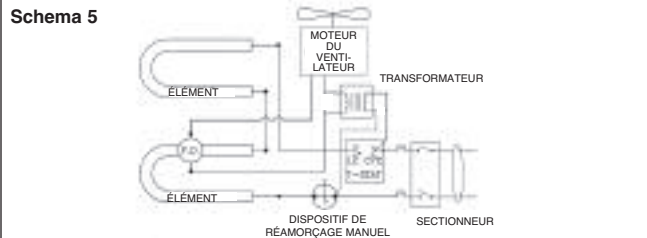
Schémas de câblage



RADIATEURS DE 1500, 1800, 4800 W, 4000 W ET 3000 W SOUS 208, 240 V OU 277 V (Voir schéma no. 6 pour 4800W, 208V) (Les radiateurs configurés avec puissance maximale peuvent être convertis à une puissance moitié moindre en enlevant le fil de liaison rouge connectant les bornes des éléments supérieur et inférieur.)
REMARQUE : Positionnez de façon à ce que au moins un côté de l'ouverture soit contre un poteau mural.

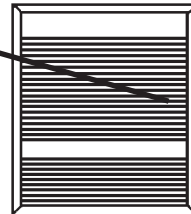


RADIATEURS DE 2000 W ET 1500 W SOUS 208 V, 240 V OU 277 V



RADIATEURS DE 4800 W, 4000 W ET 3000 W SOUS 347 V OU 600 V

PLAQUE SIGNALÉTIQUE



MODEL NO. **WH45083** DATE CODE: **0695**

FAN FORCED WALL HEATER
APPAREIL DE CHAUFFAGE MURAL À AIR PULSÉ

VOLTS AC 60HZ WATTS PHASE

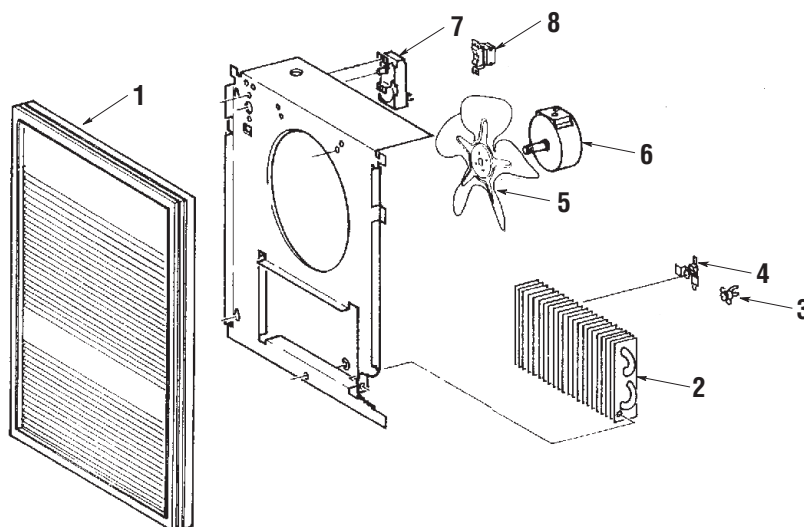
208 HI LO 4800 3



MUST BE USED WITH AWH-BB BACK BOX
DO NOT OPERATE WITHOUT FRONT COVER IN PLACE.
DOIT ÊTRE UTILISÉ AVEC BOÎTIER ARRIÈRE AWH-BB
NE PAS UTILISER SI LE COUVERCLE AVANT N'EST PAS EN PLACE.
MARLEY ENGINEERED PRODUCTS
BENNETTSVILLE, SC 29512

Identification des pièces de remplacement

N° réf.	Description	N° de pièce
1	Grille : Blanc Standard	2501-2003-004 2501-2003-007
2	Élément, monophasé: 208V; 4000W 208/240V; 3000/4000W 240/277V; 3000/4000W 277V; 3000W 208V; 4800W 208/240V; 3600/4800W 240/277V; 3600/4800W 120V; 1500W 120V; 1800W Élément, 3-Phases: 208V; 4000W 208/240V; 3000/4000W 208V; 4800W 208/240V; 3600/4800W	302015807 302015808 302012809 302012806 1802-2075-801 302012810 302012811 302012827 302012828 1802-2075-800 1802-2075-802 1802-2075-801 1802-2075-803
3	Restauration manuelle	4520-0015-000
4	Retard à la ventilation Retard à la ventilation, 3 phases	410074001 4520-2024-000
5	Pale de ventilateur	490030103
6	Moteur: 277/240V 208/240V 120V	3900-2010-001 3900-2010-000 3900-2010-003
7	Thermostat	410168002
8	Interrupteur de coupure	410170001
—	Relais: 208/240V	5018-2017-000



GARANTIE LIMITÉE

Tous les produits fabriqués par Marley Engineered Products sont garantis contre les défauts de matériaux et de main d'œuvre pendant un an à compter de la date d'installation, sauf pour les éléments de chauffe qui sont garantis contre les défauts de matériaux et de main d'œuvre pendant cinq ans à compter de la date d'installation. Cette garantie ne s'applique pas à des dommages suite à accident, abus ou altération, ni au cas où le secteur d'alimentation fait plus de 5% au-delà de la tension nominale, ni si l'équipement a été mal installé, mal câblé ou mal entretenu en violation des instructions d'installation données. Toutes les réclamations au titre de la garantie doivent être accompagnées de la preuve de la date d'installation.

Le client prendra en charge tous les frais relatifs au démontage et remontage des produits, y compris les temps de main d'œuvre, et des coûts d'acheminement pour renvoyer les produits défectueux au centre de réparation de Marley Engineered Products. En tenant compte des restrictions énoncées de cette garantie, les unités en panne doivent être renvoyées au centre de service agréé Marley le plus proche, ou centre de Marley Engineered Products, et nous les réparons ou les remplaçons, à notre choix, sans frais pour vous, avec les frais d'expédition en retour payés par Marley. Il est entendu que cette réparation ou ce remplacement constituera la seule compensation fournie par Marley Engineered Products.

CETTE GARANTIE DÉCRITE TIENT LIEU DE TOUTES AUTRES GARANTIES EXPLICITES OU IMPLICITES. TOUTES LES GARANTIES IMPLICITES DE VALEUR MARCHANDE ET D'ADÉQUATION À UN BUT SPÉCIFIQUE QUI EXCÉDERAIENT LADITE GARANTIE SONT ICI DÉCLINÉES ET EXCLUES DE CET ACCORD. MARLEY ENGINEERED PRODUCTS NE PEUT PAS ÊTRE TENU POUR RESPONSABLE DES DOMMAGES CONSÉCUTIFS SURVENANT DU FAIT DE CE PRODUIT, QU'ILS SOIENT FONDÉS SUR NÉGLIGENCE, FAUTE, RESPONSABILITÉ STRICTE OU CONTRACTUELLE.

Certaines provinces ne permettent pas l'exclusion ou la limitation pour les dommages annexes ou consécutifs, de ce fait l'exclusion ou limitation plus haut peut ne pas être applicable pour vous.

Cette garantie vous donne des droits légaux spécifiques, et vous pourriez avoir d'autres droits qui varient d'une province à l'autre. Pour obtenir l'adresse du centre de réparation agréé le plus proche de chez vous, contacter Marley Engineered Products à Bennettsville, SC, E.U.A. au 1-800-642-4328. Les marchandises qui nous sont retournées doivent être accompagnées d'une autorisation de retour et d'une étiquette d'identification de réparation, à obtenir de Marley Engineered Products. En formulant cette demande de renvoi, fournir tous les numéros de référence inscrits sur l'appareillage.

COMMENT OBTENIR DES INFORMATIONS GÉNÉRALES ET DEMANDER UNE RÉPARATION OU DES PIÈCES SOUS GARANTIE

- Réparations et pièces sous garantie **1-800-642-4328**
- Achat de pièces de rechange **1-800-654-3545**
- Informations générales sur les produits **www.marlymep.com**

Remarque : Lorsque vous demandez de l'assistance, ayez toujours en main

- Le numéro de modèle du produit
- La date de fabrication
- Numéro ou description de la pièce



470 Beauty Spot Rd. East
Bennettsville, SC 29512 USA