

HAHN-MASON AIR SYSTEMS INC.

2013 STOCK CATALOG





HAHN-MASON
AIR SYSTEMS

Home Office & Warehouse

Charlotte, NC

4901 Dwight Evans Road (28217)
Suite 120

P.O. Box 31248

Charlotte, NC 28231

[704] 523-5000 *phone*

[704] 523-5171 *fax*

[704] 523-5344 *warehouse phone*

[800] 343-6782 *warehouse phone*

[704] 523-5880 *warehouse fax*

Regional Offices

Raleigh, NC

1001 Wade Ave.

Suite 200 (27605)

P.O. Box 10465

Raleigh, NC 27605

[919] 834-9230 *phone*

[919] 831-9714 *fax*

Asheville, NC

1796 Hendersonville Road

Suite S

Asheville, NC 28803

[828] 277-1544 *phone*

[828] 277-1564 *fax*

Charleston, SC

85A Paradise Point

Summerville, SC 29485

[843] 871-2493 *phone*

[843] 871-2510 *fax*

Columbia, SC

2330 Main Street

Columbia, SC 29201

[803] 978-2038 *phone*

[803] 978-2039 *fax*

Greensboro, NC

2915 Baltic Avenue

Greensboro, NC 27406

[336] 272-9198 *phone*

[336] 272-9299 *fax*

Greenville, SC

600 E. Washington Street

Greenville, SC 29601

[864] 233-8853 *phone*

[864] 232-3399 *fax*

Hickory, NC

1784 Union Grove Rd.

Lenoir, NC 28645

[828] 726-2412 *phone*

[828] 726-2415 *fax*

www.hahnmason.com



Hahn-Mason Air Systems, Inc is a manufacturers' representative firm serving the commercial and industrial HVAC marketplace in the Carolinas. Since 1952, Hahn-Mason has developed a reputation for providing high quality equipment with a superior level of customer service.

Hahn-Mason Air Systems, Inc. represents the products of quality manufacturers ranging from grilles and diffusers to VAV terminal units; from sheet metal products to specialty air handling equipment; from industrial fans to laboratory and critical airflow controls. Our sales engineers and support staff are equipped to handle your needs.

We thank you for your business and look forward to serving you in the future.

LIST OF MANUFACTURERS

| | |
|---|--|
| Absolutaire | Kitchen and Commercial Make-Up Air Units |
| Aerovent, Flakt, Inc. | Industrial Axial and Centrifugal Fans, Roof Ventilators, Air Makeup Units, Controllable Pitch Vaneaxial Fans |
| Alnor Instrument Co. * | Air Velocity and Temperature Measurement Instruments. |
| American Air Filter | Side-access and HEPA Filter Housings, Dust and Mist Collectors, Replacement Filters |
| Armstrong International | Steam, Gas, and Electric Humidifiers |
| ATCO Rubber Products * | Uninsulated Duct |
| AtmosAir Solutions | Bi-Polar Ionization Products |
| Barco | Venturi Flowmeter Systems |
| Berko/Qmark* | Electric Space Heating Products |
| Blender Products, Inc. | Air Blender |
| BTU, Inc. | Electric duct heaters |
| Chamberlin Rubber Company, Inc. | Stainless Steel Assemblies & Kits |
| Coil Company | Commercial and Industrial water, steam & DX coils |
| Creative Metals (Div. - Leader Industries) | Sheet Metal Curbs |
| Delhi Industries | Commercial Duct Blowers & Utility Sets |
| Ductmate Industries* | Access Doors for Round, Oval, Rectangular Duct, Duct Sealer |
| Envirco | HEPA Fan Filter Units |
| Grease Master | Kitchen Exhaust Hood Systems |
| Honeywell Analytics* | Gas Detection Systems |
| Imperial Metals* | Sheet Metal Curbs and Equipment Rails |
| Karp Company* | Access Doors – Standard and Fire Rated Access Doors |
| KE Fibertec | Textile based Ventilation Equipment |
| Kinetics Noise Control* | Commercial/Industrial duct silencers, vibration & seismic isolation |
| Loren Cook Company* | Commercial and Industrial Fans, Gravity Ventilators, Energy Recovery Ventilators |
| MacroAir | High volume low speed (HVLS) fans |
| Malco Tools* | Sheet Metal Tools |
| Metal-Fab, Inc. | Boiler, Water Heater, Engine Exhaust and Kitchen UL Grease Duct Ventilation Systems |
| Nailor Industries * | Air distribution, terminal units, fan coil units, chilled beams, fire/smoke/control dampers, louvers |
| Phelps Fan Company | Custom Industrial and Process Exhaust Fans |
| Phoenix Controls | Laboratory, healthcare, and pressure sensitive critical environmental air flow control. |
| Precision Air Products Company | Cleanroom and hospital OR integrated ceiling diffuser systems |
| Reflect-O-Ray/CRC | Gas Fired Infrared Radiant Heaters - Dry Tube System |
| Reznor | Gas/Electric make-up air & DOAS units |
| Rickard Air Diffusion* | VAV Diffusers – Pneumatic, Electronic, Thermally Powered |
| Roof Products Systems* | Pipe Portals |
| Royal Metal Products* | Sheet Metal Products |
| Safe Air/Dowco, Inc.* | Fire / Smoke / Control / Industrial Dampers, Access Doors, Louvers |
| Seiho | Specialty Air Distribution-RoundRegister™, SpotDiffuser™, VentLouver™ |
| Semco, Inc.* | Spiral Ductwork, Sound Attenuators, Plenum Housings |
| Seresco, Inc. | Indoor Pool Dehumidification and Dedicated 100% Outside Air Units |
| Spunstrand, Inc. | Fiberglass, Reinforced Plastic Duct |
| Square D | Adjustable Frequency drives and motor starters |
| Steril-Aire | Ultraviolet(UVC) Emitters |
| Swegon | Active and Passive chill beam products |
| Thermal Corporation | Custom air handling equipment |
| Ventaire | Vehicle Exhaust Fume Removal System, Dust Collection System |
| Williams | Fan Coil Units |

* In the Charlotte Warehouse

TERMS OF SALE

1. **Prices listed are selling prices.**
2. **Terms of payment are net 30 days from date of invoice.**
3. **Items to be returned to stock are subject to a 20% restocking charge.**
4. **No sales taxes is included in the prices listed in this catalog.**
5. **All shipments are F.O.B. our Charlotte warehouse, freight prepaid and added to invoice.**
6. **Warranties: Standard manufacturer warranties to apply.**
7. **Pricing is subject to change without notice.**
8. **Title to all materials shall remain the sellers until the purchase price thereof is paid in full.**
9. **Claims:**
 The responsibility of Hahn-Mason Air Systems, Inc. ceases upon delivery of materials in good order to the carrier. Any claims for damages, shortages, or losses in transit must be filed by the customer against the transportation company once the material is received. Claims of shortage will not be considered unless made within 30 days after receipt of goods.
10. **Return policy:**
 - ▶ Material must be returned within 90 days of purchase.
 - ▶ Return authorization and shipping ticket or copy of HMI invoice to be included with return.
 - ▶ Returns will be subject to a 20% restocking fee.
 - ▶ Only stock items will be accepted for return here. If non-stock items are returned without authorization the customer will be responsible for the return freight. No credit will be issued.

TABLE OF CONTENTS

| | |
|--|-----------|
| List of Product Manufacturers | 2 |
| Terms & Conditions | 3 |
| Air Distribution Cross Reference..... | 4 |
| NAILOR AIR DISTRIBUTION | |
| Supply Grilles & Registers | 5 |
| Return Grilles & Door Grilles | 6 |
| Perforated Supply Diffusers | 7 |
| Square Ceiling Supply Diffusers | 8 |
| Round, Square Ceiling Diffusers & OBDs | 9 |
| Perforated Return & Eggcrate Diffusers | 10 |
| Lay-in Filtered Grilles & Plaster Frames | 11 |
| Plenum Slot Diffusers | 12 |
| Linear Slot Diffusers | 12 |
| Rickard Thermo-Disc Ceiling Diffusers | 13 |
| NAILOR AIR TERMINAL UNITS | |
| Single Duct VAV Boxes (pneumatic) | 14 |
| Single Duct VAV Boxes (no controls and electronic) | 15 |
| Fan Powered Terminal Units with Electric Heat | 16-17 |
| Control Dampers | 18 |
| System Sensor Smoke Detectors | 18 |
| 3M Fire Barrier Wrap and Fire Pillow..... | 19 |
| ACCESS DOORS | |
| Ductmate Round, Oval, & Rectangular Duct | 20 |
| Ductmate High Temp Door | 20 |
| Karp Sheetrock Access Doors | 20 |
| Karp Fire Rated Access Doors | 20 |
| DAMPERS | |
| Ceiling Radiation Dampers | 21 |
| Fire Dampers | 21 |
| DUCT SEALER/DUCT WRAP | |
| Ductmate Duct Sealer | 22 |
| Knauff Duct Wrap | 22 |
| LOREN COOK EXHAUST FANS | |
| Loren Cook Cross Reference | 23 |
| Ceiling Exhausters | 24-25 |
| Ceiling Exhauster Accessories | 26 |
| Centrifugal Roof Exhausters (direct drive) | 27 |
| Centrifugal Roof Exhausters (belt drive) | 28-29 |
| Extruded Aluminum Louvers and Brick Vents | 30 |
| Gravity Ventilators | 31 |
| Equipment Rails and Roof Curbs | 32 |
| Roof Caps | 33 |
| Roof Products System Pipe Portals | 34-35 |
| FLEX AND TAPE | |
| Royal Metals R-6 Insulated Flex..... | 36 |
| ATCO R-6 Uninsulated Flex/ UL Label Tape | 37 |
| SEMCO SPIRAL DUCT & FITTING | |
| Spiral, Reducers, Saddle Taps..... | 38 |
| 90° Elbows, 45° Elbows, Dampers..... | 39 |
| Coupling, Plugs, Bell Mouths..... | 40 |
| Spiral Grilles and Gripple Hanging Cable | 41 |
| SHEET METAL ITEMS | |
| Spin Ins, Start Collars..... | 42 |
| Stick On Fittings, Wyes, Caps | 43 |
| Snap lock pipe, Elbows..... | 44 |
| Square to Round Transition..... | 44 |
| Vent Top Flashing..... | 45 |
| High Efficiency Take offs | 45 |
| Miscellaneous Items | 45 |
| Malco Tools..... | 46 |
| KINETICS NOISE CONTROL | |
| Spring Isolators | 47 |
| BERKO HEATERS | |
| Wall Heaters | 48 |
| Unit Heaters | 49 |
| MEASURING INSTRUMENTS | |
| Honeywell Gas Detector | 50 |
| Test Kits | 50 |
| Discontinued Warehouse Items | 52 |



AIR DISTRIBUTION CROSS-REFERENCE

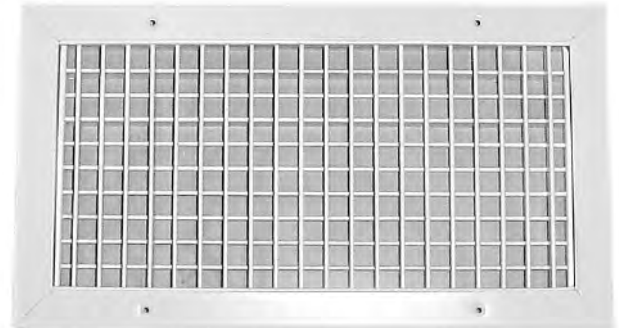
| Nailor | Metal-Aire | Price | Titus | Tuttle & Bailey | Carnes |
|---------|------------|--------|-------------|-----------------|----------|
| 61DV | V4004 | 520S | 300RS | T64 | RSDBV |
| 6145H | RH | 530L | 350RL | T70D | RSABH |
| 4320CB | 7000 | PDC | PCS | PV | SPFB |
| 61DGD | DGDF | STG/BF | T700L-AF | A980WF | RGCAD |
| 4320L | 7500 | PDF | PAS | PP | SPAB |
| 4360 | 7600R | PDDR | PAR | PR | SPRB |
| 4302 | SPRTB | PFRF | PXP | PTL | SPHB |
| RNS | 5700 | SCD | TMS | 1200/1300 | SFTB |
| 6500 | 5500 | SMD | TDC | MSR | SKTA |
| UNI | 5850 | SPD | OMNI | T-1100 | SFPA |
| 61EC | CC1 | 80 | 50F | CRE | RAEAC |
| DFA | TBPF | PFS | TRM | SMF | KXFAA |
| 61FBL45 | SRAF | 530FF | 350RLF | T70DFB | RSABD |
| 61FEL | CC1S-FB-6 | 80FF | 50FF | CB8500FB | RAPAF |
| 61FPL | RP-FB | 10FLB | 8RF | PGFB | RSFA |
| 5710I | PDI10 | TBD410 | TBDI | SVPSI-075 | DARB-B-R |
| 5000 | 6600 | SDS | ML | 6X(1,2,5) | CH |
| 5575 | N/A | TBD2 | TBD-FR | N/A | 5575WB |
| 4113 | SPRTBFRS | 10FR | 7600-FRS | N/A | N/A |
| P3001 | 500/400TH | SPV | PESV | SDVP | AVCC-CX |
| D3001 | 500/400TH | SDV | DESV | SDVD | AVCC |
| P3230 | 400DD | DPS | PEDV w/ATT. | DDVP | ADCD-CF |
| 35NE | 400FVI | FDV | DTQP | FPV | ASEG |
| 35SE | 400FCI | FDC | DTQS | FPC | ACFG |
| 5075 | 6575 | SDS75 | ML38 | 62 | CHCB |
| 5010 | 6510 | SDS100 | ML39 | 72 | CHFB |
| 5375 I | 6075BPI | SDAI75 | MPI38 | DPI62 | CXPA6-1 |
| 5310 I | 6100BPI | SDAI10 | MPI39 | DPT72 | CXPA8-1 |
| 4275 | D3 | VCR | AG-75 | RON | KXMB |
| RNR | 3100 | RCDE | TMR | P3 | SSEA |

This Cross Reference Guide is for your assistance when selecting products with competitors' specifications and models. HMI is only making a recommendation and will not assume any liability for making this recommendation.

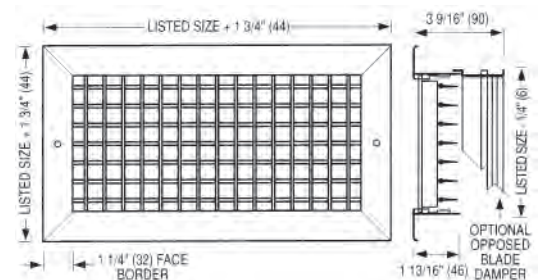
| Size (inches) | CFM @ NC 30 | Net Each | With OBD |
|---------------|-------------|----------|----------|
| 6 x 6 | 220 | \$13.00 | \$20.00 |
| 8 x 4 | 220 | \$13.00 | \$20.00 |
| 8 x 6 | 270 | \$13.00 | \$21.00 |
| 8 x 8 | 350 | \$15.00 | \$23.00 |
| 10 x 4 | 220 | \$13.00 | \$21.00 |
| 10 x 6 | 340 | \$15.00 | \$23.00 |
| 10 x 8 | 450 | \$15.00 | \$23.00 |
| 10 x 10 | 550 | \$16.00 | \$24.00 |
| 12 x 4 | 270 | \$15.00 | \$23.00 |
| 12 x 6 | 400 | \$15.00 | \$24.00 |
| 12 x 8 | 520 | \$16.00 | \$25.00 |
| 12 x 10 | 675 | \$18.00 | \$28.00 |
| 12 x 12 | 720 | \$20.00 | \$30.00 |
| 14 x 6 | 450 | \$16.00 | \$26.00 |
| 14 x 8 | 525 | \$18.00 | \$27.00 |
| 14 x 10 | 720 | \$23.00 | \$33.00 |
| 14 x 12 | 800 | \$23.00 | \$34.00 |
| 14 x 14 | 920 | \$25.00 | \$45.00 |
| 16 x 6 | 540 | \$18.00 | \$29.00 |
| 16 x 8 | 640 | \$20.00 | \$31.00 |
| 16 x 10 | 870 | \$23.00 | \$33.00 |
| 16 x 12 | 920 | \$25.00 | \$36.00 |
| 18 x 6 | 525 | \$21.00 | \$32.00 |
| 18 x 8 | 720 | \$23.00 | \$34.00 |
| 18 x 10 | 900 | \$25.00 | \$37.00 |
| 18 x 12 | 1050 | \$28.00 | \$41.00 |
| 20 x 6 | 675 | \$23.00 | \$34.00 |
| 20 x 8 | 800 | \$24.00 | \$37.00 |
| 20 x 10 | 920 | \$28.00 | \$40.00 |
| 24 x 6 | 720 | \$25.00 | \$39.00 |
| 24 x 8 | 920 | \$28.00 | \$42.00 |
| 24 x 10 | 1170 | \$31.00 | \$45.00 |
| 24 x 12 | 1320 | \$33.00 | \$47.00 |
| 30 x 8 | 1230 | \$34.00 | \$52.00 |
| 30 x 10 | 1320 | \$38.00 | \$56.00 |
| 30 x 12 | 1624 | \$42.00 | \$60.00 |
| 36 x 8 | 1320 | \$42.00 | \$66.00 |
| 36 x 10 | 1624 | \$47.00 | \$71.00 |
| 36 x 12 | 1953 | \$51.00 | \$75.00 |

Supply Registers/Grilles: Model 61DV

- Double deflection adjustable type
- Vertical front blades, horizontal rear blades
- Corrosion-resistant steel construction
- 1/4" border with countersunk screws holes
- Appliance white baked enamel finish
- Optional opposed blade damper



Model 61DV (Vertical Front Blades)

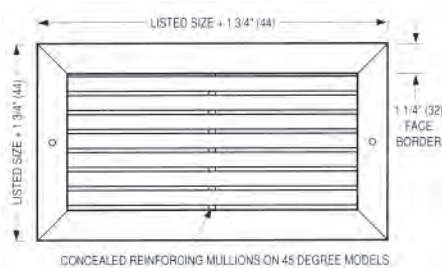


****Spiral Duct Mounted Grilles On Page 41****

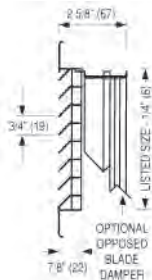
RETURN GRILLES

Return Registers/Grilles: Model 6145H Surface Mount

- ▶ Single 45° fixed horizontal blades spaced at 3/4" centers
- ▶ Corrosion-resistant steel construction
- ▶ Appliance white baked enamel finish
- ▶ Optional opposed blade damper
- ▶ Surface mount frame with countersunk screw holes (shown below) or Lay-In frame



Model 6145H



| Size (inches) | CFM @ NC 30 | Net Each | With OBD |
|---------------|-------------|----------|----------|
| 6 x 6 | 170 | \$9.00 | \$16.00 |
| 8 x 8 | 300 | \$11.00 | \$19.00 |
| 10 x 6 | 280 | \$11.00 | \$19.00 |
| 10 x 8 | 350 | \$11.00 | \$19.00 |
| 10 x 10 | 450 | \$13.00 | \$21.00 |
| 12 x 6 | 300 | \$11.00 | \$20.00 |
| 12 x 8 | 430 | \$13.00 | \$22.00 |
| 12 x 10 | 518 | \$13.00 | \$22.00 |
| 12 x 12 | 620 | \$14.00 | \$24.00 |
| 14 x 8 | 455 | \$14.00 | \$23.00 |
| 14 x 10 | 620 | \$14.00 | \$24.00 |
| 14 x 12 | 720 | \$17.00 | \$28.00 |
| 14 x 14 | 868 | \$18.00 | \$38.00 |
| 16 x 8 | 518 | \$14.00 | \$25.00 |
| 16 x 12 | 860 | \$18.00 | \$29.00 |
| 16 x 16 | 1066 | \$21.00 | N/A |
| 18 x 12 | 900 | \$18.00 | \$31.00 |
| 18 x 18 | 900 | \$28.00 | N/A |
| 20 x 8 | 800 | \$19.00 | \$32.00 |
| 20 x 12 | 1012 | \$19.00 | N/A |
| 20 x 20 | 1566 | \$31.00 | N/A |
| 24 x 6 | 600 | \$18.00 | \$32.00 |
| 24 x 8 | 840 | \$18.00 | \$32.00 |
| 24 x 12 | 1185 | \$22.00 | \$36.00 |
| 24 x 16 | 1500 | \$28.00 | N/A |
| 24 x 18 | 1566 | \$31.00 | N/A |
| 24 x 24 | 2200 | \$42.00 | N/A |
| 30 x 12 | 1475 | \$28.00 | \$44.00 |
| 30 x 16 | 1900 | \$33.00 | N/A |
| 30 x 24 | 2600 | \$51.00 | N/A |
| 30 x 30 | 3200 | \$62.00 | N/A |
| 36 x 18 | 2375 | \$45.00 | N/A |
| 36 x 24 | 3160 | \$60.00 | N/A |
| 36 x 36 | 4345 | \$105.00 | N/A |
| 48 x 24 | 3900 | \$75.00 | N/A |
| 48 x 30 | 3900 | \$97.00 | N/A |
| 48 x 48 | 7015 | \$176.00 | N/A |

Return Registers/Grilles: Model 6145H Lay-In

| Size (inches) | Net Each | With OBD |
|-------------------|----------|----------|
| 24 x 12 / 22 x 10 | \$17.00 | \$31.00 |
| 24 x 24 / 22 x 22 | \$32.00 | \$61.00 |
| 24 x 48 / 22 x 46 | \$61.00 | N/A |

Door Return Grilles: Model 61DGD with Auxiliary Frame

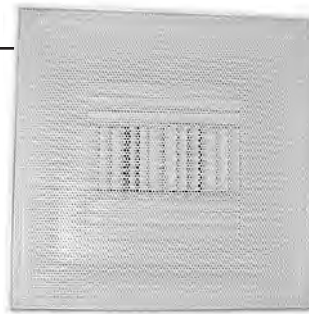
- ▶ Inverted V-blades on 1/2" centers
- ▶ Made with heavy gauge, corrosion resistant steel
- ▶ Aluminum finish



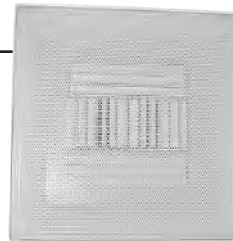
| Size (inches) | Net Each |
|---------------|----------|
| 12 x 12 | \$40.00 |
| 16 x 16 | \$59.00 |
| 18 x 12 | \$50.00 |
| 18 x 18 | \$65.00 |
| 24 x 12 | \$55.00 |

Perforated Supply Diffusers

- Adjustable pattern controllers
- Removable face
- Corrosion-resistant steel construction
- Appliance white baked enamel finish
- Optional opposed blade damper
- 24x24 Lay-In frame or Surface mount frame
- Surface mounted diffusers includes plaster frame
- 24x24 Insulated Blankets - \$8.00 Each



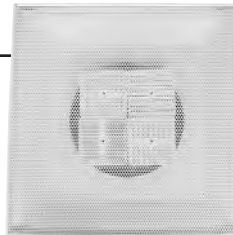
| Neck Size (inches) | Panel Size (inches) | CFM @ NC 30 | Net Each (see pg. 9 for OBD pricing) |
|--------------------|---------------------|-------------|--------------------------------------|
| 6 | 24 x 24 | 125 | \$25.00 |
| 8 | 24 x 24 | 225 | \$25.00 |
| 10 | 24 x 24 | 300 | \$27.00 |
| 12 | 24 x 24 | 420 | \$27.00 |
| 14 | 24 x 24 | 535 | \$28.00 |
| 16 | 24 x 24 | 625 | \$29.00 |



Perforated Supply Diffuser: Model 4320CB Lay-In

- Pattern controllers located in neck

| Neck Size (inches) | Panel Size (inches) | CFM @ NC 30 | Net Each (see pg. 9 for OBD pricing) |
|--------------------|---------------------|-------------|--------------------------------------|
| 6 | 24 x 24 | 150 | \$23.00 |
| 8 | 24 x 24 | 250 | \$23.00 |
| 10 | 24 x 24 | 335 | \$23.00 |
| 12 | 24 x 24 | 450 | \$23.00 |
| 14 | 24 x 24 | 540 | \$23.00 |
| 16 | 24 x 24 | 625 | \$25.00 |

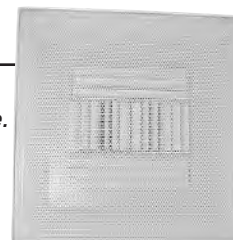


Perforated Supply Diffuser: Model 4320 Lay-In

- Pattern controllers located on inside of face

| Neck Size (inches) | Panel Size (inches) | CFM @ NC 30 | Net Each (see pg. 9 for OBD pricing) |
|--------------------|---------------------|-------------|--------------------------------------|
| 6 | 12 x 12 | 115 | \$30.00 |

All surface mounted diffusers will be furnished with plaster frame.

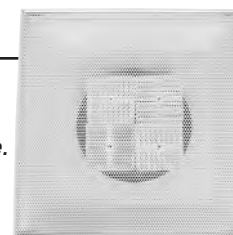


Perforated Supply Diffuser: Model 4320CB Surface Mount

- Pattern controllers located in neck

| Neck Size (inches) | Panel Size (inches) | CFM @ NC 30 | Net Each (see pg. 9 for OBD pricing) |
|--------------------|---------------------|-------------|--------------------------------------|
| 6 | 12 x 12 | 150 | \$29.00 |
| 8 | 12 x 12 | 250 | \$29.00 |

All surface mounted diffusers will be furnished with plaster frame.



Perforated Supply Diffuser: Model 4320 Surface Mount

- Pattern controllers located on inside of face

UNI DIFFUSERS & SQUARE CEILING SUPPLY DIFFUSERS



Ceiling Diffuser: Model UNI



- Architectural plaque design
- 360° diffusion pattern
- Corrosion-resistant steel construction
- Appliance white baked enamel finish
- 24x24 or 12x12 lay-in frame
- Optional opposed blade damper
- 24x24 Insulated Blankets - \$8.00 Each

| Neck Size/ Panel Size (inches) | CFM @ NC 30 | Net Each (see pg. 9 for OBD pricing) |
|--------------------------------------|-------------------|--|
| 6 / 12 x 12 | 215 | \$33.00 |
| 8 / 12 x 12 | 375 | \$33.00 |
| 6 / 24 x 24 | 245 | \$30.00 |
| 8 / 24 x 24 | 360 | \$30.00 |
| 10 / 24 x 24 | 555 | \$30.00 |
| 12 / 24 x 24 | 720 | \$30.00 |
| 14 / 24 x 24 | 955 | \$30.00 |
| 15 / 24 x 24 | 1080 | \$30.00 |

QB. Baffle available which converts the UNI to 1,2,3 way blow patterns. Net each \$7.00

Ceiling Diffuser: Model 6500L Lay-In



- Louvered face design
- High capacity with removable core
- Corrosion-resistant steel construction
- Appliance white baked enamel finish
- 24 x 24 Panel Size
- 12 x 12 Panel (6x6 & 9x9)
- 24x24 Insulated Blankets - \$8.00 Each

| Neck Size (inches) | CFM @ NC 30 | Net Each | Square to Round | Square OBD |
|-----------------------|-------------------|-------------|--------------------|---------------|
| 6 x 6 / 6 | 180 | \$29.00 | \$5.00 | \$6.00 |
| 6 x 6 / 12 x 12 panel | 180 | \$30.00 | \$5.00 | \$6.00 |
| 9 x 9 / 12 x 12 panel | 375 | \$35.00 | \$6.00 | \$8.00 |
| 9 x 9 / 9-8-6 | 375 | \$33.00 | \$6.00 | \$8.00 |
| 12 x 12 / 12-10-8 | 630 | \$41.00 | \$7.00 | \$9.00 |
| 15 x 15 / 14-12-10 | 935 | \$50.00 | \$8.00 | \$20.00 |
| 18 x 18 / 16-14 | 1225 | \$61.00 | \$10.00 | \$23.00 |
| 21 x 21 / 20-18-16 | 1630 | \$80.00 | \$17.00 | \$25.00 |

For available round sizes, see above. Square to round transitions shipped loose.

6500S Surface Mount Frame



- 24x24 Insulated Blankets - \$8.00Each

| Neck Size (inches) | CFM @ NC 30 | Net Each | Square to Round | Square OBD |
|--------------------|-------------------|-------------|--------------------|---------------|
| 6 x 6 / 6 | 180 | \$20.00 | \$5.00 | \$6.00 |
| 9 x 9 / 9-8 | 375 | \$22.00 | \$6.00 | \$8.00 |
| 12 x 12/12-10-8 | 630 | \$30.00 | \$7.00 | \$9.00 |
| 15 x 15/14-12-10 | 935 | \$39.00 | \$8.00 | \$20.00 |

For available round sizes, see above. Square to round transitions shipped loose.

6500B Surface Mount with beveled drop face



- 24x24 Insulated Blankets - \$8.00Each

| Neck Size (inches) | CFM @ NC 30 | Net Each | Square to Round | Square OBD |
|--------------------|-------------------|-------------|--------------------|---------------|
| 6 x 6 / 6 | 180 | \$20.00 | \$5.00 | \$6.00 |
| 9 x 9 / 9-8 | 375 | \$22.00 | \$6.00 | \$8.00 |
| 12 x 12/12-10-8 | 630 | \$30.00 | \$7.00 | \$9.00 |
| 15 x 15/14-12-10 | 935 | \$39.00 | \$8.00 | \$20.00 |
| 18 x 18/16-14 | 1225 | \$50.00 | \$9.00 | \$23.00 |

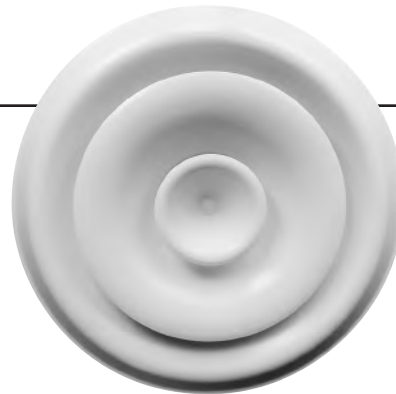
For available round sizes, see above. Square to round transitions shipped loose.



Square to rounds are available. Blow patterns available at additional charge:



| Neck Size (inches) | CFM @ NC 30 | Net Each (see below for OBD pricing) |
|--------------------|-------------|--------------------------------------|
| 6 | 185 | \$47.00 |
| 8 | 305 | \$50.00 |
| 10 | 491 | \$55.00 |
| 12 | 715 | \$62.00 |
| 14 | 835 | \$72.00 |
| 16 | 1140 | \$90.00 |
| 18 | 1480 | \$108.00 |



Round Ceiling Diffuser: Model RNR

- Two-position adjustable cones
- Removable inner cone assembly
- Corrosion-resistant steel construction
- Appliance white baked enamel finish

| Neck Size (inches) | CFM @ NC 30 | Net Each (see below for OBD pricing) | Insulated |
|--------------------|-------------|--------------------------------------|-----------|
| 6 / 12 x 12 | 215 | \$20.00 | NA |
| 8 / 12 x 12 | 355 | \$20.00 | NA |
| 6 / 24 x 24* | 250 | \$32.00 | \$36.00 |
| 8 / 24 x 24* | 380 | \$32.00 | \$36.00 |
| 10 / 24 x 24* | 525 | \$32.00 | \$36.00 |
| 12 / 24 x 24* | 735 | \$32.00 | \$36.00 |
| 14 / 24 x 24 | 975 | \$32.00 | NA |



Square Ceiling Diffuser: Model RNS Lay-in

- Louvered panel face with round neck
- Removable inner cone
- Corrosion-resistant steel construction
- Appliance white baked enamel finish
- 3 cone pattern

*Available with Insulated Backs

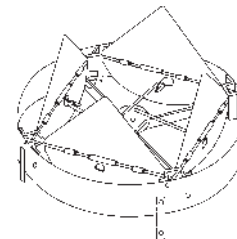
** 12 x 12 in 4 cone pattern

| Neck Size (inches) | Net Each |
|--------------------|----------|
| 6 | \$12.00 |
| 8 | \$13.00 |
| 10 | \$15.00 |
| 12 | \$18.00 |
| 14 | \$21.00 |
| 16 | \$25.00 |
| 18 | \$63.00 |

Radial Type Opposed Blade Damper: Model 4275



- Gang-operated radial opposed blade
- Install on diffuser neck
- Adjustment from diffuser face
- Galvanized steel construction

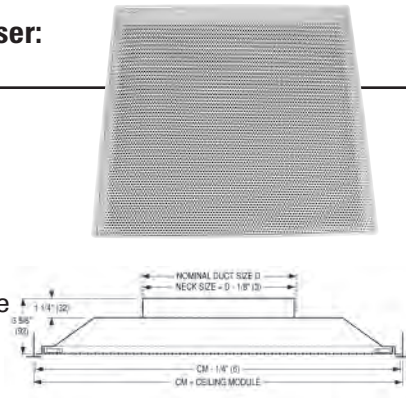


PERFORATED RETURN & EGGCRATE DIFFUSERS



Perforated Return Diffuser: Model 4360 Lay-In

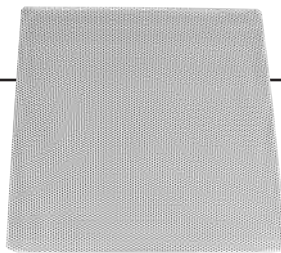
- ▶ Removable face
- ▶ Corrosion-resistant steel construction
- ▶ Appliance white baked enamel finish
- ▶ DFA surface mount plaster frames available



| Neck Size (inches) | Panel Size (inches) | CFM @ NC 30 | Net Each |
|--------------------|---------------------|-------------|----------|
| 6 | 24 x 24 | 205 | \$23.00 |
| 8 | 24 x 24 | 349 | \$23.00 |
| 10 | 24 x 24 | 460 | \$23.00 |
| 12 | 24 x 24 | 650 | \$23.00 |
| 14 | 24 x 24 | 855 | \$23.00 |
| 16 | 24 x 24 | 1000 | \$24.00 |
| 22 x 22 | 24 x 24 | 1900 | \$21.00 |
| 22 x 46 | 24 x 48 | 3600 | \$45.00 |
| 22 x 10 | 24 x 12 | 925 | \$21.00 |

Perforated Return Panel: Model 4302

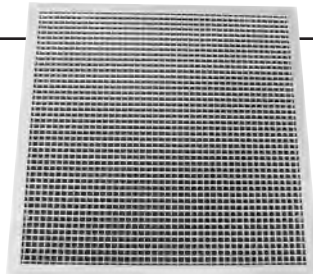
- ▶ Return panel only, for lay-in ceilings, no frame
- ▶ Appliance white baked enamel finish



| Neck Size (inches) | CFM @ NC 30 | Net Each |
|--------------------|-------------|----------|
| 24 x 12 | 900 | \$10.00 |
| 24 x 24 | 1900 | \$14.00 |
| 24 x 48 | 3500 | \$22.00 |

Eggcrate Return Grilles: Model 61EC

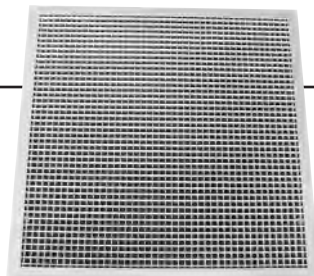
- ▶ 1/2" x 1/2" x 1/2" aluminum eggcrate core
- ▶ All steel construction
- ▶ Surface mount frame with countersunk screwholes
- ▶ Appliance white baked enamel finish



| Neck Size (inches) | CFM @ NC 30 | Net Each | With OBD |
|--------------------|-------------|----------|----------|
| 6 x 6 | 200 | \$10.00 | \$17.00 |
| 8 x 8 | 342 | \$11.00 | \$19.00 |
| 10 x 10 | 495 | \$13.00 | \$21.00 |
| 12 x 12 | 740 | \$15.00 | \$25.00 |
| 14 x 14 | 992 | \$20.00 | \$40.00 |
| 16 x 16 | 1200 | \$24.00 | N/A |
| 18 x 18 | 1510 | \$26.00 | N/A |
| 20 x 20 | 1875 | \$30.00 | N/A |

Eggcrate Return Grilles: Model 61EC Lay-In

- ▶ Steel frame border
- ▶ 1/2" x 1/2" x 1/2" aluminum eggcrate core
- ▶ Appliance white baked enamel finish



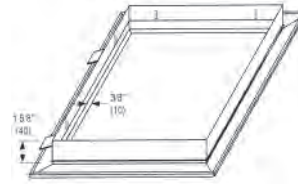
| Neck Size (inches) | Panel Size (inches) | CFM @ NC 30 | Net Each | With OBD |
|--------------------|---------------------|-------------|----------|----------|
| 22 x 10 | 24 x 12 | 1285 | \$17.00 | \$31.00 |
| 22 x 22 | 24 x 24 | 2300 | \$35.00 | \$64.00 |
| 22 x 46 | 24 x 48 | 4400 | \$85.00 | N/A |
| 22 x 22* | 24 x 24 | 2300 | \$39.00 | \$68.00 |

*Core is removable for easy cleaning. Recommended for restaurants.

- ▶ White Plastic Eggcrate for lay-in T-bar ceiling.

| Size (inches) | Net Each |
|---------------|----------|
| 24 x 24 | \$14.00 |
| 24 x 48 | \$20.00 |

| Size (inches) | Net Each |
|---------------|----------|
| 12 x 12 | \$12.00 |
| 16 x 16 | \$13.00 |
| 20 x 20 | \$15.00 |
| 24 x 12 | \$18.00 |
| 24 x 24 | \$19.00 |
| 48 x 24 | \$41.00 |



Plaster Frame: Model DFA

- Allows installation of lay-in diffuser or grille in hard ceiling
- Aluminum construction
- Appliance white baked enamel finish

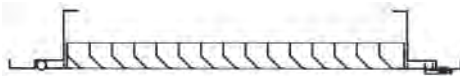
| Size | Net Each |
|--------------|----------|
| 2' x 2 Slots | \$12.00 |
| 4' x 1 Slot | \$12.00 |
| 4' x 2 Slots | \$15.00 |
| 4' x 3 Slots | \$19.00 |



Slot Diffuser Mounting Frame: Model DFA

- Frame to be used in a sheetrock or plaster ceiling
- Plaster frames are made for 1" slots
- Allows installation of lay-in diffuser in hard ceiling
- Aluminum construction
- Appliance white baked enamel finish

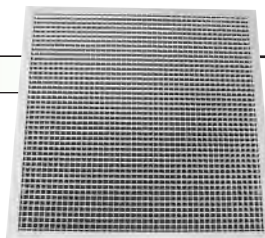
| Neck Size / Panel Size (inches) | CFM @ NC 30 | Net Each |
|---------------------------------|-------------|----------|
| 20 x 20 / 24 x 24 | 1566 | \$54.00 |
| 44 x 20 / 48 x 24 | 3000 | \$121.00 |



Lay-In Filter Grille: Model 61FBL45

- Louvered Face, Lay-in Filter Grille
- Corrosion-resistant steel construction
- Appliance white baked enamel finish

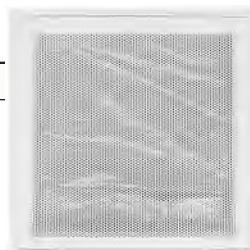
| Neck Size / Panel Size (inches) | CFM @ NC 30 | Net Each |
|---------------------------------|-------------|----------|
| 20 x 20 / 24 x 24 | 1900 | \$61.00 |



Eggcrate Lay-In Filter Grille: Model 61FEL

- Eggcrate, Lay-in Filter Grille
- 1/2" x 1/2" x 1/2" grid
- Appliance white baked enamel finish
- Core is removable for easy cleaning
- Recommended for restaurants
- Aluminum Core

| Neck Size / Panel Size (inches) | CFM @ NC 30 | Net Each |
|---------------------------------|-------------|----------|
| 20 x 20 / 24 x 24 | 1827 | \$47.00 |



Perforated Lay-In Filter Grille: Model 61FPL

- Perforated Face, Lay-in Filter Grille
- Corrosion-resistant steel construction
- Appliance white baked enamel finish

All filter grilles accommodate a 1" filter (Supplied by others)



PLENUM & LINEAR SLOT DIFFUSERS



Plenum Slot Diffuser: Model 5710I - 5810I



- Adjustable vertical/horizontal pattern
- Insulated plenum
- 1" wide slots
- Lay-In frame

▸ For Surface Mount application see frames on page 11.

| Model | Size/Slot | Neck Size | Unit Width | Unit Height | CFM@ NC30 | Net Each |
|--------|-------------|-----------|------------|-------------|-----------|----------|
| 5710I | 2'x 2 slots | 6" oval | 4" | 11" | 115 | \$35.00 |
| 5710I | 2'x 2 slots | 8" oval | 4" | 11" | 135 | \$35.00 |
| 5710I | 4'x 1 slots | 8" oval | 2" | 11" | 150 | \$43.00 |
| 5710I | 4'x 2 slots | 8" oval | 4" | 11" | 200 | \$49.00 |
| 5710I | 4'x 2 slots | 10" oval | 4" | 11" | 265 | \$49.00 |
| 5710I | 4'x 2 slots | 12" oval | 4" | 11" | 325 | \$49.00 |
| 5710I | 4'x 3 slots | 12" oval | 6" | 11" | 500 | \$70.00 |
| 5715I | 4'x 2 slots | 10" oval | 5" | 11" | 325 | \$49.00 |
| 5810I* | 2'x 2 slots | 8" oval | 4" | 11" | 110 | \$41.00 |
| 5810I* | 4'x 2 slots | 8" oval | 4" | 11" | 200 | \$70.00 |
| 5810I* | 4'x 2 slots | 10" oval | 4" | 11" | 220 | \$70.00 |

*5810 have ice tong blades.

Linear Slot Ceiling Diffuser: Model Series 5000



- Unobtrusive architectural appearance
 - 180° pattern controller adjustment
 - Stocked in 4' or 6' lengths
 - Lay-in or surface mount frame
- Extruded aluminum appliance white frame
 - Steel black pattern controllers



▸ When ordering, please specify lay-in or surface mount on 4' lengths

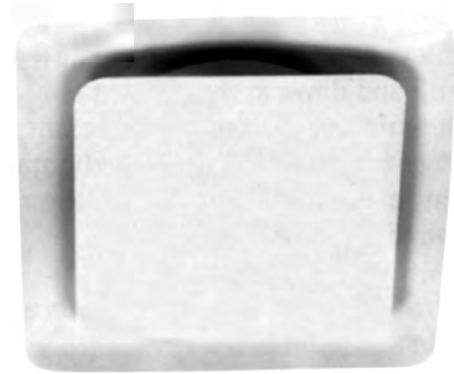
| Slot Length | Slot Width | Number of Slots | Frame Style | Net Each | Add for Plenums |
|-------------|------------|-----------------|-------------|----------|-----------------|
| 4' | 3/4" | 1 | SM | \$43.00 | \$33.00 |
| 4' | 3/4" | 2 | LI | \$61.00 | \$35.00 |
| 4' | 3/4" | 2 | SM | \$61.00 | \$35.00 |
| 4' | 1" | 2 | LI | \$61.00 | \$35.00 |
| 4' | 1" | 2 | SM | \$61.00 | \$35.00 |
| 6' | 3/4" | 2 | LI or SM | \$82.00 | N/A |
| 6' | 1" | 2 | LI or SM | \$82.00 | N/A |
| 6' | 3/4" | 1 | LI or SM | \$59.00 | N/A |

- 6' diffusers are to be field cut for specified length (by others)
- All plenums have internal insulation. When ordering plenums, please specify neck size. 8" or 10"

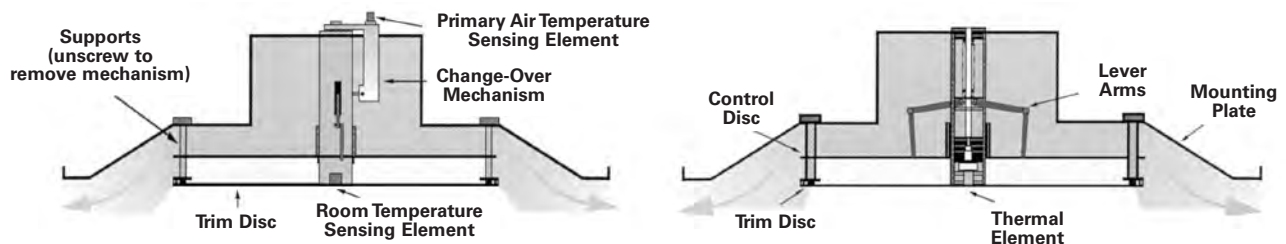


Variable Geometry Thermo-Disc Ceiling Diffuser: Model VSD-4

The Rickard Model VSD-4 Variable Geometry Thermo-Disc Ceiling Diffuser is a thermally powered VAV diffuser which contains its own temperature sensing and volume control mechanism. The VSD-4 series will provide full VAV temperature control in both cooling and heating modes. The change-over between control modes is automatic and is carried out by means of a unique change-over mechanism. The change-over mechanism is operated by means of a thermal element identical to the one used for sensing room temperature. The Thermo-Disc is reliable and requires no routine preventative maintenance. All diffusers are lay-in models. Each diffuser can be mounted by using an auxiliary frame.



VAV, Fan Powered
Terminals



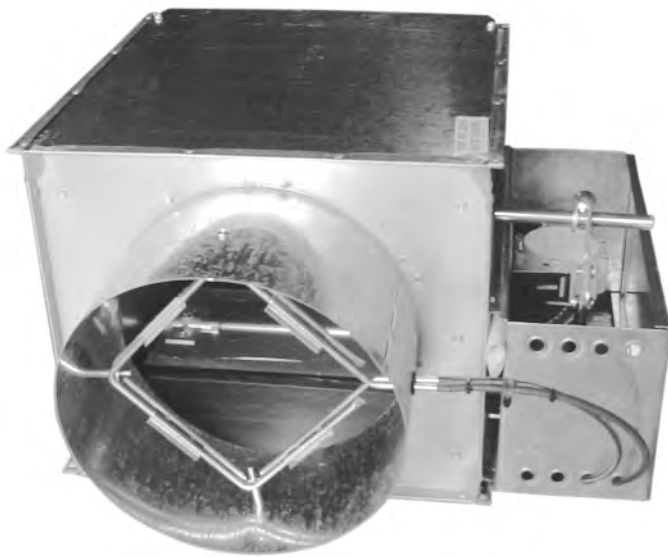
| Neck Size (inches) | Reading | Neck Total Pressure (in w.g.) | | | | | | | | |
|-----------------------|---------------|-------------------------------|------|------|------|------|------|------|------|------|
| | | 0.08 | 0.12 | 0.16 | 0.20 | 0.24 | 0.28 | 0.32 | 0.36 | 0.40 |
| 6 | Flow (c.f.m.) | 85 | 104 | 119 | 133 | 146 | 159 | 169 | 180 | 189 |
| | Throw (ft.) | 4.9 | 6.9 | 8.9 | 9.8 | 10.8 | 11.5 | 12.1 | 13.1 | 13.8 |
| | N.C. Level | - | - | - | - | 26 | 28 | 31 | 33 | 35 |
| 8 | Flow (c.f.m.) | 203 | 250 | 290 | 324 | 358 | 390 | 413 | 438 | 462 |
| | Throw (ft.) | 6.6 | 8.5 | 9.8 | 10.5 | 11.8 | 12.8 | 13.8 | 14.8 | 15.4 |
| | N.C. Level | - | 27 | 28 | 29 | 30 | 33 | 36 | 38 | 40 |
| 10 | Flow (c.f.m.) | 297 | 362 | 419 | 468 | 513 | 553 | 591 | 627 | 663 |
| | Throw (ft.) | 7.9 | 8.5 | 10.5 | 11.5 | 12.8 | 13.8 | 14.8 | 15.4 | 16.7 |
| | N.C. Level | - | 27 | 29 | 31 | 33 | 36 | 38 | 40 | 42 |
| 12 | Flow (c.f.m.) | 373 | 452 | 530 | 593 | 650 | 703 | 752 | 798 | 843 |
| | Throw (ft.) | 8.2 | 9.2 | 10.8 | 12.1 | 13.8 | 15.1 | 15.7 | 17.1 | 17.7 |
| | N.C. Level | 27 | 27 | 30 | 32 | 35 | 37 | 39 | 41 | 43 |

Contact your local HMI office for pricing.

| Inlet Size | Recommended CFM Range | Net Each | add for 2 Row Hot Water Coil | add for 1 Row Hot Water Coil |
|------------|-----------------------|----------|------------------------------|------------------------------|
| 6" | 0 - 400 | \$196.00 | \$63.00 | \$51.00 |
| 8" | 0 - 700 | \$215.00 | \$68.00 | \$54.00 |
| 10" | 0 - 1100 | \$221.00 | \$75.00 | \$64.00 |
| 12" Oval | 0 - 1600 | \$225.00 | \$99.00 | |
| 14" Oval | 0 - 2100 | \$258.00 | \$121.00 | |
| 16" Oval | 0 - 2800 | \$267.00 | \$127.00 | |
| 24" x 16" | 0 - 5350 | \$277.00 | \$194.00 | |

VAV Box: Model P3001 Single Duct Terminal Unit (Pneumatic)

- Heavy gauge steel housing
- Mechanically sealed and gasketed, leak resistant construction
- Tight close-off damper. Leakage is less than 2% of nominal cfm at 3"wg as certified ARI 880
- Slip-and-drive discharge duct connection
- Multipoint inlet velocity sensor with center averaging
 - DA-NO/NC and RA-NO/NC operation
 - Gauge tees for cfm measurement
 - All units have **Steri-Liner**
 - All units will have access doors

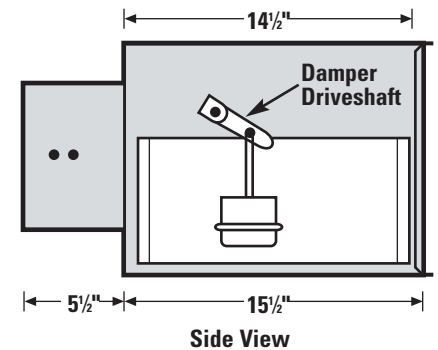
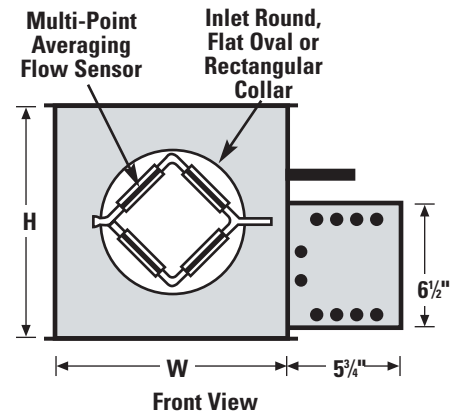


| Replacement Control Accessories | Net Each |
|--|----------|
| Velocity Controller (DA/NO or RA/NC) | \$165 |
| Johnson Pneumatic Operators 5-10 PSI (Black) | \$75 |
| Kreuter Pneumatic Operators 5-10 PSI (Gold) | \$55 |
| 120/208/240 to 24v Transformer | \$20 |
| 277 to 24v Transformer | \$20 |

Dimensional Data

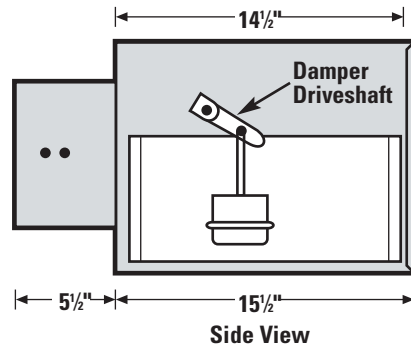
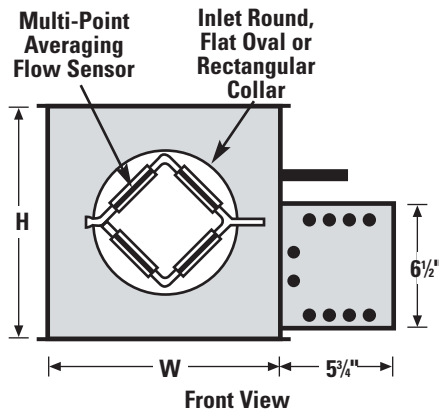
Imperial Units (inches)

| Unit Size | Width | Height | Inlet |
|-----------|-------|--------------------------------|---|
| 4 | 10 | 10 | 3 ³ / ₈ Round |
| 5 | 10 | 10 | 4 ⁷ / ₈ Round |
| 6 | 10 | 10 | 5 ⁷ / ₈ Round |
| 8 | 12 | 12 ¹ / ₂ | 7 ⁷ / ₈ Round |
| 10 | 14 | 12 ¹ / ₂ | 9 ⁷ / ₈ Round |
| 12 | 18 | 12 ¹ / ₂ | 12 ¹⁵ / ₁₆ x 9 ¹³ / ₁₆ Oval |
| 14 | 24 | 12 ¹ / ₂ | 16 ¹ / ₁₆ x 9 ¹³ / ₁₆ Oval |
| 16 | 28 | 12 ¹ / ₂ | 19 ³ / ₁₆ x 9 ¹³ / ₁₆ Oval |
| 24 x 16 | 38 | 18 | 23 ³ / ₈ x 15 ⁷ / ₈ Rectangular |



VAV Box: Model 3001 Single Duct Terminal Unit without Controls

- ▶ Heavy gauge steel housing
- ▶ Mechanically sealed and gasketed, leak resistant construction
- ▶ Meets requirements of NFPA 90A, NFPA 90B, and UL 181
- ▶ Multipoint inlet velocity sensor with center averaging
- ▶ Tight close-off damper. Leakage is less than 2% of nominal cfm at 3" wg as certified ARI 880
- ▶ Slip-and-drive discharge duct connection
- ▶ All units have **Steri-Liner**
- ▶ All units with Control Enclosure
- ▶ All units with Access Door



Dimensional Data

Imperial Units (inches)

| Unit Size (inches) | Recommended CFM Range | Width (inches) | Height (inches) | Inlet (inches) | Model 3001 with No Controls | Model 3001* with Analog Electric Control | add for 2 Row Hot Water Coil | add for 1 Row Hot Water Coil |
|--------------------|-----------------------|----------------|-----------------|-----------------------------|-----------------------------|--|------------------------------|------------------------------|
| 4 | 0-150 | 10 | 10 | 3 7/8 Round | \$112.00 | | \$63.00 | \$51.00 |
| 5 | 0-250 | 10 | 10 | 4 7/8 Round | \$112.00 | | \$63.00 | \$51.00 |
| 6 | 0-400 | 10 | 10 | 5 7/8 Round | \$112.00 | | \$63.00 | \$51.00 |
| 8 | 0-700 | 12 | 12 1/2 | 7 7/8 Round | \$132.00 | | \$68.00 | \$54.00 |
| 10 | 0-1100 | 14 | 12 1/2 | 9 7/8 Round | \$140.00 | | \$75.00 | \$64.00 |
| 12 | 0-1600 | 18 | 12 1/2 | 12 15/16 x 9 13/16 Oval | \$145.00 | | \$99.00 | |
| 14 | 0-2100 | 24 | 12 1/2 | 16 1/16 x 9 13/16 Oval | \$180.00 | | \$121.00 | |
| 16 | 0-2800 | 28 | 12 1/2 | 19 7/16 x 9 13/16 Oval | \$190.00 | | \$127.00 | |
| 24 x 16 | 0-5350 | 38 | 18 | 23 7/8 x 15 7/8 Rectangular | \$240.00 | | \$194.00 | |

*Analog Electric Controls for VAV will need to be ordered from the factory.
Please contact your local Sales Office.

Universal Fan Powered Terminal

Model D35NE and D35SE Fan Terminals with electric heat. These units are stocked with the KWs and voltages scheduled, however the KWs and voltages can be changed to accommodate most of your requirements. Check with our sales office.



Accessories include:

- Intake filters
- Disconnect switch (Non-Fused)
- Inlet sensor (for DDC)
- Parallel units with PSC motors

Stock Fan Powered Terminal Units with Various Available Electric Heat Options

| Model | Unit Size | Inlet Size | Primary CFM Range | Fan CFM Range | Elect. Char. | Available kW | Available Stages |
|-------|-----------|------------|-------------------|---------------|--------------|--------------|------------------|
| 35NE | 2 | 8"Ø | 200 - 800 | 180 - 650 | 277/1/60 | 0.8 | 1 |
| 35NE | 2 | 8"Ø | 200 - 800 | 180 - 650 | 277/1/60 | 1.6 | 1 |
| 35NE | 2 | 8"Ø | 200 - 800 | 180 - 650 | 277/1/60 | 3.3 | 1 |
| 35NE | 2 | 8"Ø | 200 - 800 | 180 - 650 | 277/1/60 | 2.5 | 1 |
| 35NE | 2 | 8"Ø | 200 - 800 | 180 - 650 | 277/1/60 | 5.0 | 1 |
| 35NE | 2 | 8"Ø | 200 - 800 | 180 - 650 | 480/3/60 | 5.0 | 2 |
| 35NE | 2 | 8"Ø | 200 - 800 | 180 - 650 | 480/3/60 | 5.0 | 3 |
| 35NE | 3 | 10"Ø | 300 - 1200 | 450 - 1120 | 277/1/60 | 0.8 | 1 |
| 35NE | 3 | 10"Ø | 300 - 1200 | 450 - 1120 | 277/1/60 | 1.5 | 1 |
| 35NE | 3 | 10"Ø | 300 - 1200 | 450 - 1120 | 277/1/60 | 2.5 | 1 |
| 35NE | 3 | 10"Ø | 300 - 1200 | 450 - 1120 | 277/1/60 | 3.3 | 1 |
| 35NE | 3 | 10"Ø | 300 - 1200 | 450 - 1120 | 277/1/60 | 5.0 | 1 |
| 35NE | 3 | 10"Ø | 300 - 1200 | 450 - 1120 | 277/1/60 | 5.8 | 1 |
| 35NE | 3 | 10"Ø | 300 - 1200 | 450 - 1120 | 277/1/60 | 6.6 | 1 |
| 35NE | 3 | 10"Ø | 300 - 1200 | 450 - 1120 | 480/3/60 | 5.0 | 2 |
| 35NE | 3 | 10"Ø | 300 - 1200 | 450 - 1120 | 480/3/60 | 5.0 | 3 |
| 35NE | 3 | 10"Ø | 300 - 1200 | 450 - 1120 | 480/3/60 | 10.0 | 2 |
| 35NE | 3 | 10"Ø | 300 - 1200 | 450 - 1120 | 480/3/60 | 10.0 | 3 |
| 35NE | 5 | 12"Ø | 400 - 2000 | 450 - 1120 | 277/1/60 | 1.7 | 1 |
| 35NE | 5 | 12"Ø | 400 - 2000 | 450 - 1120 | 277/1/60 | 3.3 | 1 |
| 35NE | 5 | 12"Ø | 400 - 2000 | 450 - 1120 | 277/1/60 | 3.6 | 1 |
| 35NE | 5 | 12"Ø | 400 - 2000 | 450 - 1120 | 277/1/60 | 5.0 | 1 |
| 35NE | 5 | 12"Ø | 400 - 2000 | 450 - 1120 | 277/1/60 | 10.0 | 2 |
| 35NE | 5 | 12"Ø | 400 - 2000 | 450 - 1120 | 480/3/60 | 5.0 | 3 |
| 35NE | 5 | 12"Ø | 400 - 2000 | 450 - 1120 | 480/3/60 | 10.0 | 2 |
| 35NE | 5 | 12"Ø | 400 - 2000 | 450 - 1120 | 480/3/60 | 10.0 | 3 |
| 35NE | 5 | 12"Ø | 400 - 2000 | 450 - 1120 | 480/3/60 | 15.0 | 2 |
| 35NE | 5 | 12"Ø | 400 - 2000 | 450 - 1120 | 480/3/60 | 15.0 | 3 |

Contact your local HMI office for pricing.

FAN POWERED TERMINAL UNITS



| | | | | | | | |
|------|---|------|------------|------------|----------|------|---|
| 35SE | 3 | 10"Ø | 200 - 1100 | 200 - 1100 | 277/1/60 | .08 | 1 |
| 35SE | 3 | 10"Ø | 200 - 1100 | 200 - 1100 | 277/1/60 | 1.5 | 1 |
| 35SE | 3 | 10"Ø | 200 - 1100 | 200 - 1100 | 277/1/60 | 2.5 | 1 |
| 35SE | 3 | 10"Ø | 200 - 1100 | 200 - 1100 | 277/1/60 | 3.3 | 1 |
| 35SE | 3 | 10"Ø | 200 - 1100 | 200 - 1100 | 277/1/60 | 5.0 | 1 |
| 35SE | 3 | 10"Ø | 200 - 1100 | 200 - 1100 | 277/1/60 | 5.8 | 1 |
| 35SE | 3 | 10"Ø | 200 - 1100 | 200 - 1100 | 277/1/60 | 6.6 | 1 |
| 35SE | 3 | 10"Ø | 200 - 1100 | 200 - 1100 | 480/3/60 | 5.0 | 2 |
| 35SE | 3 | 10"Ø | 200 - 1100 | 200 - 1100 | 480/3/60 | 5.0 | 3 |
| 35SE | 3 | 10"Ø | 200 - 1100 | 200 - 1100 | 480/3/60 | 10.0 | 2 |
| 35SE | 3 | 10"Ø | 200 - 1100 | 200 - 1100 | 480/3/60 | 10.0 | 3 |

| | | | | | | | |
|------|---|------|------------|------------|----------|------|---|
| 35SE | 5 | 12"Ø | 500 - 2000 | 500 - 2000 | 277/1/60 | 1.7 | 1 |
| 35SE | 5 | 12"Ø | 500 - 2000 | 500 - 2000 | 277/1/60 | 3.3 | 1 |
| 35SE | 5 | 12"Ø | 500 - 2000 | 500 - 2000 | 277/1/60 | 3.6 | 1 |
| 35SE | 5 | 12"Ø | 500 - 2000 | 500 - 2000 | 277/1/60 | 5.0 | 1 |
| 35SE | 5 | 12"Ø | 500 - 2000 | 500 - 2000 | 277/1/60 | 5.0 | 2 |
| 35SE | 5 | 12"Ø | 500 - 2000 | 500 - 2000 | 277/1/60 | 6.6 | 1 |
| 35SE | 5 | 12"Ø | 500 - 2000 | 500 - 2000 | 277/1/60 | 10.0 | 1 |
| 35SE | 5 | 12"Ø | 500 - 2000 | 500 - 2000 | 480/3/60 | 5.0 | 2 |
| 35SE | 5 | 12"Ø | 500 - 2000 | 500 - 2000 | 480/3/60 | 5.0 | 3 |
| 35SE | 5 | 12"Ø | 500 - 2000 | 500 - 2000 | 480/3/60 | 10.0 | 2 |
| 35SE | 5 | 12"Ø | 500 - 2000 | 500 - 2000 | 480/3/60 | 10.0 | 3 |
| 35SE | 5 | 12"Ø | 500 - 2000 | 500 - 2000 | 480/3/60 | 15.0 | 2 |
| 35SE | 5 | 12"Ø | 500 - 2000 | 500 - 2000 | 480/3/60 | 15.0 | 3 |

- CFM ranges are "suggested" only, units are NOT factory pre-set
- Model 35SE is Constant Volume Series Air Flow with ECM motor.
- Units include Intake Filter; Disconnect Switch; Inlet Sensor.

- Circuit Fusing (If Required) is NOT included.
- All units are ETL Listed and ARI Certified.
- Pneumatic Control (AVA) (Field mounted)

Contact your local HMI office for pricing.

ROUND CONTROL DAMPERS

Nailor Model 1090 - Low Leakage Control Damper

- ▶ 16 ga. galvanized steel construction - 7" deep
- ▶ 20 ga. galvanized steel blades
- ▶ Polyethylene blade seals ensures low leakage
- ▶ Stand-off bracket with 5" x 9" mounting plate for electric actuator or hand quadrant



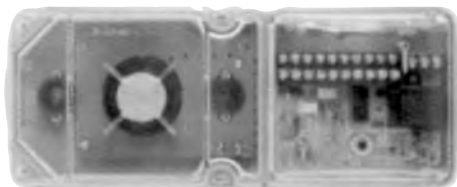
| Size (inches) | Net Each |
|---------------|----------|
| 6 | \$63.00 |
| 8 | \$65.00 |
| 10 | \$78.00 |
| 12 | \$85.00 |
| 14 | \$89.00 |
| 16 | \$91.00 |

| Control Accessories | Net Each |
|---------------------|----------|
| 24 volt Actuator | \$140 |
| 115 volt Actuator | \$140 |
| Hand Quadrant | \$8 |

SMOKE DETECTORS

Smoke Detectors: Model D4120

System Sensor Duct smoke detectors are specifically designed for HVAC. System Sensor is the leader in the fire detection and fire safety devices. The unit provides sampling of air currents passing through a duct to detect a developing fire. Includes an 8" exhaust tube. Please specify length of sampling tube required.



| Model | Net Each |
|------------------------------------|----------|
| D4120 Smoke Detector | \$113.00 |
| D4120W Watertight Unit | \$165.00 |
| APA151-Piezo Annunciator | \$28.00 |
| RTS151 Test Station w/Key | \$46.00 |
| RTS 2 Multi-Signaling Test Station | \$73.00 |
| AOS Add-on Strobe | \$36.30 |
| 3' Tube Only | \$7.80 |
| 5' Tube Only | \$10.00 |

Price on Smoke Detector includes Sampling Tube 3' or 5'.

FIRE BARRIER DUCT WRAP & FIRE PILLOWS



3M Fire Barrier Duct Wrap for single and double wrapping in a variety of applications:

- Commercial Kitchen Grease Duct
- Air Ventilation and Chemical Exhaust Ducts
- Stair Pressurization Duct
- Hazardous Exhaust Ducts
- Trash and Linen Chutes

Key Benefits:

- Passes the rigors of internal grease duct fire tests UL 1978 and AC101
- Zero clearance to combustibles at overlap or collar for compact low profile that saves space in tight areas
- High flexibility for easy installation
- Foil encapsulated with unique center overlap seam for blanket strength, protection and less dust
- Safer fiber construction* for contractor peace of mind

*Has been demonstrated to be soluble in the lungs according to EU guidelines 67/548/EWG, Note Q for biopersistence.

Duct Wrap

| Model | Size | Net Each |
|-------------------------|--------------|----------|
| FB61524 P Wrap | 1½" x24"x25' | \$220.00 |
| ACI21 Band/Seals | ½" x 200' | \$85.00 |

*steel band

Fire Pillows

| Model | Size | Net Each |
|---------------|--------------|----------|
| 3M-249 | 2" x 4" x 9" | \$16.00 |
| 3M-269 | 2" x 4" x 9" | \$19.00 |
| 3M-369 | 2" x 4" x 9" | \$21.00 |



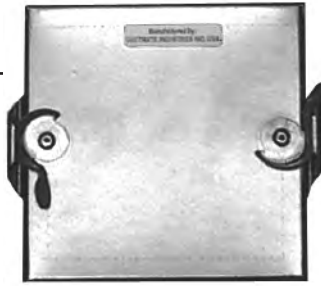
3M Caulk and Silicone Caulk

| Model | Color | Description | Net Each |
|------------------|-------|-------------------|----------|
| 3M 150+ | Red | Flexible | \$10.00 |
| 3M 25WB | Blue | Intumescent | \$10.00 |
| 100 RTV Silicone | Clear | Silicone/Adhesive | \$10.50 |
| Caulking Gun | N/A | N/A | \$5.00 |



ACCESS DOORS

| Size (inches) | Net Each |
|------------------|-------------|
| 6x6 | \$11.00 |
| 8x8 | \$12.40 |
| 10x10 | \$14.00 |
| 12x12 | \$15.50 |
| 14x14 | \$19.00 |
| 16x16 | \$21.00 |
| 18x18 | \$24.00 |
| 20x20 | \$24.90 |
| 24x24 | \$30.00 |



Access Doors: Model FD

Ductmate Industries Model FD Cam, 1" Insulated with double gasket. Meets SMACNA requirements for low and medium pressure systems.

| Round Size (inches) | Net Each | Net Each High Temp |
|---------------------------|-------------|--------------------------|
| 5 & 6 | \$31.00 | \$38.85 |
| 8 | \$31.00 | \$38.85 |
| 10 | \$41.60 | \$49.00 |
| 12 | \$41.60 | \$49.00 |
| 14 | \$41.60 | \$49.00 |
| 16 | \$58.95 | |
| 18 | \$58.95 | |
| 20 | \$58.95 | |
| 24 | \$61.00 | |

| Rectangular Sizes (inches) | Net Each | Net Each High Temp |
|----------------------------------|-------------|--------------------------|
| 10x6 | \$18.50 | \$28.90 |
| 12x8 | \$28.50 | \$40.55 |
| 18x14 | \$54.30 | \$84.00 |
| 24x18 | \$92.70 | \$142.50 |

Access Doors: Model DMRI

Ductmate Industries Model DMRI Insulated Access Doors For Round Duct, Flat Oval and Rectangular duct.

For rectangular and oval duct. The above sizes are available in high temperature (up to 1000°F).



***2300°F doors are available from factory. UL grease doors are available from factory in stainless steel and black iron.

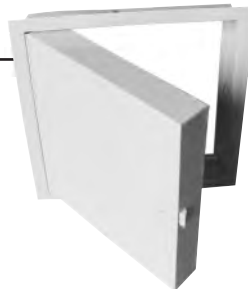
| Size (inches) | Net Each |
|------------------|-------------|
| 12x12 | \$30.00 |
| 16x16 | \$36.00 |
| 18x18 | \$41.00 |
| 24x24 | \$55.00 |



Access Doors: Model DSC

Karp Model DSC Universal flush access door for walls and ceiling.

| Size (inches) | Net Each |
|------------------|-------------|
| 12x12 | \$117.00 |
| 14x14 | \$126.00 |
| 16x16 | \$136.00 |
| 24x24 | \$165.00 |



Fire Rated Access Doors: Model 150FR

Karp Model 150FR Fire Rated Access Door for ceiling. (insulated) UL rated for wall and ceiling.

| Size (inches) | Net Each |
|------------------|-------------|
| 12x12 | \$86.00 |
| 16x16 | \$107.00 |
| 24x24 | \$137.00 |

Fire Rated Access Doors: Model 250FR

Karp Model 250FR for walls. UL rated for wall only.

FIRE & RADIATION DAMPERS

| Size (round) | Net Each | Size (square) | Net Each |
|--------------|----------|---------------|----------|
| 6 | \$21.00 | 6x6 | \$20.00 |
| 8 | \$22.00 | 8x8 | \$21.00 |
| 10 | \$23.00 | 10x10 | \$26.00 |
| 12 | \$28.00 | 12x12 | \$32.00 |
| 14 | \$29.00 | 22x22 | \$60.00 |
| 16 | \$32.00 | 22x10 | \$33.00 |
| | | 24x24 | \$67.00 |

Ceiling Radiation Dampers

Nailor U.L. Classified Dampers, 22 gauge roll formed galvanized steel, standard frame depth.



24x24 thermal blankets: \$12.00

| Size (inches) | Net Each | Size (inches) | Net Each |
|---------------|----------|---------------|----------|
| 6x6 | \$42.00 | 18x8 | \$49.00 |
| 8x6 | \$42.00 | 18x10 | \$52.00 |
| 8x8 | \$42.00 | 18x12 | \$53.00 |
| 10x6 | \$42.00 | 18x14 | \$58.00 |
| 10x8 | \$43.00 | 18x16 | \$61.00 |
| 10x10 | \$44.00 | 18x18 | \$61.00 |
| 12x6 | \$42.00 | 20x6 | \$50.00 |
| 12x8 | \$43.00 | 20x8 | \$50.00 |
| 12x10 | \$44.00 | 20x10 | \$53.00 |
| 12x12 | \$45.00 | 20x12 | \$54.00 |
| 14x6 | \$45.00 | 20x14 | \$58.00 |
| 14x8 | \$45.00 | 20x16 | \$58.00 |
| 14x10 | \$49.00 | 20x18 | \$64.00 |
| 14x12 | \$50.00 | 20x20 | \$64.00 |
| 14x14 | \$51.00 | 24x12 | \$58.00 |
| 16x6 | \$45.00 | 24x14 | \$64.00 |
| 16x8 | \$45.00 | 24x16 | \$64.00 |
| 16x10 | \$49.00 | 24x18 | \$71.00 |
| 16x12 | \$50.00 | 24x20 | \$71.00 |
| 16x14 | \$53.00 | 24x24 | \$75.00 |
| 16x16 | \$53.00 | | |

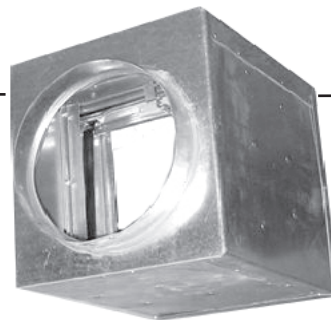
Fire Dampers: Model 0114-12H

Nailor Integral Sleeve Curtain Type
1 1/2 hour label - UL Approved
Vertical or Horizontal Mount
12" 22 gauge sleeve
Quick Set Retaining Angles



Replacement fusible links for
Radiation/Fire Dampers.
Melting Point:
165° \$5.00/ea.
212° \$5.00/ea.

| Size (inches) | Net Each | Actual Dimensions (inches) |
|---------------|----------|----------------------------|
| 6 RD | \$61.00 | 7.75x8.75 |
| 8 RD | \$62.00 | 9.75x10.75 |
| 10 RD | \$68.00 | 11.75x12.75 |
| 12 RD | \$69.00 | 13.75x14.75 |
| 14 RD | \$80.00 | 15.75x16.75 |
| 16 RD | \$87.00 | 17.75x18.75 |
| 18 RD | \$95.00 | 19.75x21.75 |
| 20 RD | \$100.00 | 21.75x23.75 |



Fire Dampers: Model 0130H

Nailor Curtain Type
1 1/2 hour label - UL Approved
Vertical or Horizontal Mount
12" 20 gauge sleeve
High Pressure Sealed

DUCTMATE PROSEAL DUCT SEALER



Proseal Duct Sealer

Proseal is a premium quality high velocity water based duct sealant.

Special Characteristics:

- ▶ UL classified
- ▶ permanently flexible
- ▶ exceptional workability
- ▶ will not drip or sag
- ▶ low brush drag
- ▶ low shrinkage
- ▶ excellent adhesion to metal
- ▶ mild odor
- ▶ indoor or outdoor use
- ▶ superior sealing strength
- ▶ conforms to NFPA 90A & 90B
- ▶ mildew resistant



| Item | Net Each |
|-------------------------|----------|
| Proseal - 1 gallon pail | \$ 15.00 |

Proseal Duct Sealant applied to inorganic reinforced cement board:
 ▶ flame spread - 0
 ▶ smoke developed - 0

| Item | Net |
|------------|-------------|
| 2" brushes | \$1.00 each |

DuctMate Proseal meets LEEDS requirements.



Knauf Friendly Feel® Duct Wrap with ECOSE® Technology sets a new industry benchmark for sustainable, high-performance, cost-effective insulation solutions.

Sustainable Insulation Combination:

- Sand, one of the world's most abundant and renewable resources,
- Minimum 35% post-consumer recycled bottle glass and
- ECOSE Technology

| Item | Net |
|---|---------|
| 2 ³ / ₁₆ " x 48" x 75' roll | \$75.00 |





*Nonstock items
available on*

**LOREN
COOK
EXPRESS**

*Contact your
local HMI office.*



Fans, Curbs, Ventilators

Loren Cook Cross Reference - Fans/Ventilators

| Loren Cook | Greenheck | Jenn/Breidert | Penn | Carnes | Twin City Fans |
|------------|-----------|---------------|----------------------|--------|----------------|
| GC | SP | BF 100-950 | Zephyr Jr | VCDB | - |
| ACEB | GB | JEB/DB | Domex/KB/JB/MB/DXB | VEBK | BCRD/NBCR |
| ACED | G | JXD/RED | Domex/DX/SRV/Q/Q1/Q2 | VEDK | CRRD/RCCX-D |
| PR | GRS/GRSF | GRV/RCX | Domex-DR | GS | - |

Description - Fan shall be ceiling mounted, direct driven, centrifugal exhaust fan.

Certifications - Fan shall be manufactured by an ISO 9001 certified company. Fan shall be listed by Underwriters Laboratories (UL 705) and UL listed for Canada (cUL 705). Fan shall bear the AMCA Certified Ratings Seal for Sound and Air Performance.

Construction - Fan wheel housing and integral outlet duct collar shall be injection molded from a specially engineered resin exceeding UL requirements for smoke and heat generation. The outlet duct shall have provision for an aluminum backdraft damper with continuous aluminum hinge rod. The inlet box shall be minimum 22 gauge galvanized steel. Motor shall be isolation mounted to a one piece galvanized stamped steel integral motor mount/inlet. A field wiring compartment with disconnect receptacle shall be standard. To accommodate different ceiling thickness, an adjustable prepunched mounting bracket shall be provided. A white, non-yellowing, high impact styrene injection molded grille shall be provided as standard. Unit shall be designed with provision for field conversion from ceiling to inline. Unit shall be shipped in ISTA Certified Transit Tested Packaging.

Wheel - Wheel shall be centrifugal forward curved type, injection molded of polypropylene resin. Wheel shall be balanced in accordance with AMCA Standard 204-96, Balance Quality and Vibration Levels for Fans.

Motor - Motor shall be open drip proof type with permanently lubricated sealed bearings and include impedance or thermal overload protection and disconnect plug. Motor shall be furnished at the specified voltage.

Product - Fan shall be model Gemini GC 122-184 as manufactured by Loren Cook Company of Springfield, Missouri.

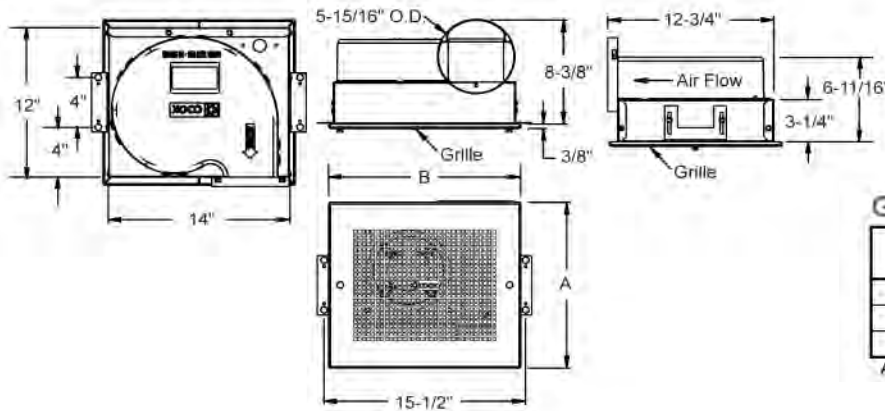
Ceiling Fans



Loren Cook Company certifies that the Gemini GC 122-184 are licensed to bear the AMCA Seal. The ratings shown are based on tests and procedures performed in accordance with AMCA Publication 211 and AMCA Publication 311, and comply with requirements of the AMCA Certified Ratings Program.



Type Gemini GC 122-184 are furnished standard with UL 705 & cUL 705 listing (Power Ventilator/ ZACT).



GC 122-184 Dimension Data

| Grille Material | A | B |
|-----------------|--------|--------|
| Plastic | 13-1/4 | 14-3/4 |
| Steel | 13-1/2 | 15-1/2 |
| Aluminum | 12-3/4 | 14-3/4 |

All dimensions in inches.

| Model GC | Max. Watts | RPM | HVI Sones | 0.0 SP | | .100 SP | | .125 SP | | .250 SP | | .375 SP | | .500 SP | | .625 SP | | .750 SP | | .875 SP | | 1.000 SP | | Net Each |
|----------|------------|------|-----------|--------|-------|---------|-------|---------|-------|---------|-------|---------|-------|---------|-------|---------|-------|---------|-------|---------|-------|----------|-------|----------|
| | | | | CFM | Sones | CFM | Sones | CFM | Sones | CFM | Sones | CFM | Sones | CFM | Sones | CFM | Sones | CFM | Sones | CFM | Sones | CFM | Sones | |
| GC-122 | 50 | 800 | 0.7 | 60 | 1.0 | 59 | 1.1 | 58 | 1.1 | 56 | 1.3 | 53 | 2.0 | 49 | 2.7 | 42 | 3.5 | 28 | 4.4 | | | | | \$91 |
| GC-124 | 64 | 900 | 1.1 | 81 | 1.5 | 80 | 1.6 | 79 | 1.6 | 77 | 1.7 | 73 | 2.1 | 67 | 2.7 | 59 | 3.3 | 49 | 4.2 | 32 | 5.2 | | | \$91 |
| GC-144 | 98 | 1100 | 2.0 | 139 | 2.8 | 133 | 2.9 | 131 | 2.9 | 124 | 3.0 | 117 | 3.2 | 108 | 3.4 | 97 | 3.7 | 84 | 4.2 | 65 | 4.8 | 42 | 5.5 | \$95 |
| GC-164 | 145 | 1300 | 4.0 | 190 | 4.9 | 186 | 4.8 | 185 | 4.8 | 180 | 4.7 | 174 | 4.7 | 166 | 4.7 | 146 | 4.7 | 131 | 4.7 | 110 | 5.1 | 78 | 5.5 | \$104 |
| GC-184 | 220 | 1500 | 6.0 | 262 | 7.7 | 255 | 7.6 | 253 | 7.5 | 244 | 7.4 | 234 | 7.2 | 222 | 7.1 | 207 | 6.9 | 189 | 6.6 | 166 | 6.3 | 143 | 6.1 | \$117 |

GEMINI CEILING FANS

GC-420-822

LOREN COOK

Ceiling Fans



GC 420 - 740



GC 822



Loren Cook Company certifies that the Gemini GC 220-960 are licensed to bear the AMCA Seal. The ratings shown are based on tests and procedures performed in accordance with AMCA Publication 211 and AMCA Publication 311, and comply with requirements of the AMCA Certified Ratings Program.



Type Gemini GC 220-960 are furnished standard with UL 705 & cUL 705 listing (Power Ventilator/ZACT).

Description - Fan shall be ceiling, wall, or inline mounted, direct drive, centrifugal exhaust fan.

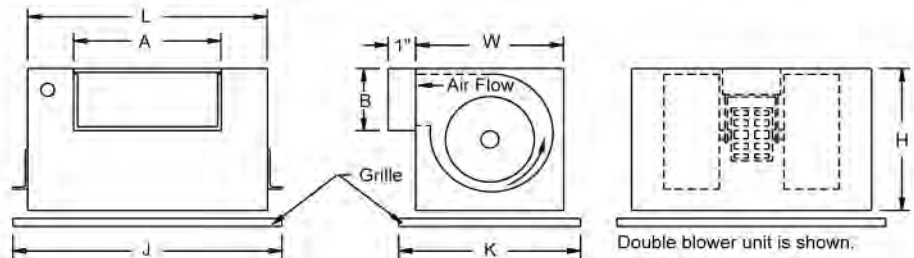
Certifications - Fan shall be manufactured by an ISO 9001 certified company. Fan shall be listed by Underwriters Laboratories (UL 705) and UL listed for Canada (cUL 705). Fan shall bear the AMCA Certified Ratings Seal for Sound and Air Performance.

Construction - Fan housing shall be minimum 20 gauge galvanized steel and acoustically insulated. Blower and motor assembly shall be mounted to a minimum 14 gauge reinforcing channel and shall be easily removable from the housing. Motor shall be mounted on vibration isolators. Unit shall be supplied with integral wiring box and disconnect receptacle shall be standard. Discharge position shall be convertible from right angle to straight through by moving interchangeable panels. The outlet duct collar shall include a reinforced aluminum damper with continuous aluminum hinge rod and nylon bushings. To accommodate different ceiling thickness, an adjustable prepunched mounting bracket shall be provided. A powder painted white steel grille shall be provided as standard. Unit shall be shipped in ISTA Certified Transit Tested Packaging.

Wheel - Wheel shall be centrifugal forward curved type, constructed of galvanized steel. Wheel shall be balanced in accordance with AMCA Standard 204-96, Balance Quality and Vibration Levels for Fans.

Motor - Motor shall be open drip proof type with permanently lubricated sealed bearings, built-in thermal overload protection and disconnect plug. Motor shall be furnished at the specified voltage.

Product - Fan shall be model Gemini GC 220-960 as manufactured by Loren Cook Company of Springfield, Missouri.



GC 220-960 Dimension Data

| Model GC | Housing | | | Outlet | | Steel Grille | | Deluxe Aluminum Grille | | Approx. Ship-Wt. Lbs. |
|---------------|---------|----------|----------|--------|-------|--------------|--------|------------------------|--------|-----------------------|
| | L | W | H | A | B | J | K | J | K | |
| 220, 240 | 12-3/8 | 9-3/4 | 9-3/4 | 8 | 6 | 16-3/8 | 13-5/8 | 13-1/4 | 10-1/4 | 22 |
| 320, 340 | 12-3/8 | 10-3/4 | 10-3/4 | 8 | 6 | | | 13-1/4 | 11-1/4 | 25 |
| 420 | 17 | 11-7/8 | 11-7/8 | 8 | 6 | 21 | 14-1/4 | 17-3/4 | 12-3/4 | 30 |
| 520 | 17 | 11-7/8 | 11-7/8 | 8 | 6 | 21 | 14-1/4 | 17-3/4 | 12-3/4 | 32 |
| 620, 640 | 17 | 11-7/8 | 11-7/8 | 10-1/2 | 4-3/4 | 21 | 14-1/4 | 17-3/4 | 12-3/4 | 35 |
| 720, 740 | 17 | 11-7/8 | 11-7/8 | 10-1/2 | 4-3/4 | 21 | 14-1/4 | 17-3/4 | 12-3/4 | 36 |
| 822, 842, 862 | 27 | 14-11/16 | 14-11/16 | 20 | 6 | 31-3/8 | 17-1/8 | 27-3/4 | 15-1/4 | 74 |
| 920, 940, 960 | 31 | 14-11/16 | 14-11/16 | 24-1/4 | 6 | 35-1/8 | 17-1/8 | 31-3/4 | 15-1/4 | 86 |

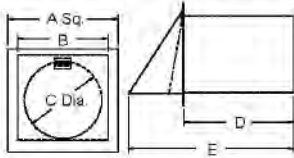
All dimensions in inches.

GC 420 - 822

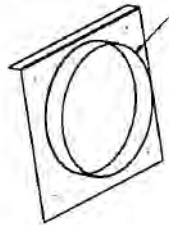
| Model GC | Max. Watts | RPM | HVI Sones | 0.0 SP | | .100 SP | | .125 SP | | .250 SP | | .375 SP | | .500 SP | | .625 SP | | .750 SP | | .875 SP | | 1.000 SP | | Net Each |
|----------|------------|------|-----------|--------|-------|---------|-------|---------|-------|---------|-------|---------|-------|---------|-------|---------|-------|---------|-------|---------|-------|----------|-------|----------|
| | | | | CFM | Sones | CFM | Sones | CFM | Sones | CFM | Sones | CFM | Sones | CFM | Sones | CFM | Sones | CFM | Sones | CFM | Sones | CFM | Sones | |
| GC-420 | 170 | 1145 | 3.5 | 327 | 5.3 | 294 | 4.3 | 287 | 4.0 | 260 | 3.4 | 236 | 2.9 | 202 | 2.7 | | | | | | | | | \$191 |
| GC-520 | 172 | 1205 | 4.5 | 356 | 5.9 | 347 | 5.7 | 344 | 5.7 | 332 | 5.5 | 318 | 5.1 | 301 | 4.6 | 279 | 4.3 | 249 | 4.0 | | | | | \$202 |
| GC-620 | 233 | 960 | 2.5 | 451 | 3.7 | 453 | 3.3 | 428 | 3.3 | 400 | 3.3 | 359 | 3.3 | 297 | 3.6 | | | | | | | | | \$216 |
| GC-640 | 351 | 1075 | 3.5 | 559 | 4.6 | 520 | 4.3 | 512 | 4.3 | 476 | 4.1 | 429 | 4.0 | 346 | 3.9 | | | | | | | | | \$216 |
| GC-720 | 301 | 1375 | 5.5 | 709 | 6.7 | 687 | 6.6 | 682 | 6.6 | 653 | 6.6 | 619 | 6.3 | 578 | 6.1 | 535 | 5.9 | 480 | 5.7 | 385 | 5.4 | | | \$326 |
| GC-822 | 293 | 910 | 3.5 | 944 | 4.4 | 929 | 4.6 | 925 | 4.7 | 904 | 5.0 | 879 | 4.9 | 830 | 4.8 | | | | | | | | | \$478 |



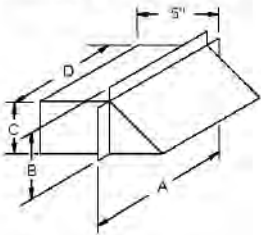
Round Duct Wall Cap with Damper



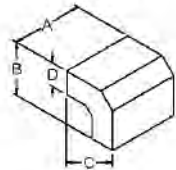
Round Duct Adapter



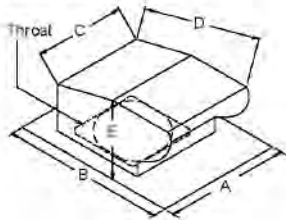
Wall Cap



Eave Elbow



Roof Jack



| Size | Model | A Sq. | B | C | D | E | Net |
|------|------------|-------|----|----|----|-----|---------|
| 4 | WCR4-Alum. | 6½ | 5½ | 4 | 5 | 7¾ | \$19.00 |
| 6 | WCR6-Alum. | 8 | 7 | 6 | 8½ | 12¾ | \$21.00 |
| 8 | WCR8-Alum. | 10 | 9 | 8 | 8½ | 14¼ | \$29.00 |
| 10 | 198 | 12 | 11 | 10 | 12 | 15 | \$32.00 |
| 12 | 198 | 14 | 13 | 12 | 12 | 15 | \$53.00 |

| Model | Duct Diameter | Net Each |
|-------|---------------|----------|
| RDA-8 | 8 | \$18.00 |

The Gemini 200-500 can be field converted from a rectangular outlet to a round outlet by removing the rectangular damper frame and replacing it with the RDA-8

| Gemini Series | Model | A | B | C | D | Net Each |
|---------------|-----------|-----|----|----|----|----------|
| | Alum. | | | | | |
| 620-740 | Broan 649 | 12¾ | 8⅝ | 3¼ | 10 | \$26.00 |

| Gemini Series | Type | Model | A | B | C | D | Net Each |
|---------------|-----------|-------|----|-----|----|----|----------|
| 220-520 | Long Eave | LE2 | 8⅝ | 15½ | 14 | 6⅝ | \$32.00 |

| Gemini Series | Model | A | B Dia. | C | D | E | Throat Size | Net Each |
|---------------|--------|-----|--------|-----|-----|----|-------------|----------|
| 122-184 | RJR100 | 14¼ | 18¾ | 10⅝ | 14½ | 6½ | 6 Dia. | \$38.00 |
| 220-520 | RJ200 | 14¼ | 18¾ | 10⅝ | 14½ | 6½ | 10¼ x 10¼ | \$33.00 |
| Broan | 636 | 10¼ | 11 | 6¼ | 8⅞ | 9⅝ | 4 | \$17.00 |
| Broan | 437 | 27¼ | 18½ | 12⅝ | 16½ | 9⅞ | 10¼ x 10¼ | \$100.00 |

Miscellaneous Items

| Item | Price Each |
|--|------------|
| 1) 5 Amp Speed Controller | \$29.00 |
| 2) 10 Amp Speed Controller | \$56.00 |
| 3) Vibration Isolator Kit for GC | \$12.00 |
| 4) Line Voltage T'Stat | \$19.00 |
| 5) Inline Adaptor for GC-122 to 184 | \$28.00 |
| 6) Replacement Grilles for GC-124-184(Plastic) | \$23.00 |
| 7) Replacement Grilles for GC- 420 - 720 | \$41.00 |
| 8) Replacement Grilles for GC- 822 | \$60.00 |

| Item | Price Each |
|--|------------|
| 9) 277v/120v transformers for GC122-184 | \$144.00 |
| 10) 277v/120v transformers for GC420/520 | \$199.00 |
| 11) 277v/120v transformers for GC620-822 | \$290.00 |
| 12) Radiation damper for GC120-184 | \$55.00 |
| 13) Radiation damper for GC420-740 | \$69.00 |
| 14) Steel Grilles for GC122-184 | \$25.00 |
| 15) GC Replacement Screws | \$1.00 |

ACED CENTRIFUGAL EXHAUST VENTILATOR

LOREN COOK

Downblast Centrifugal Exhaust Ventilator Roof Mounted Direct Drive

Downblast centrifugal design with aluminum base. Includes two-piece top cap with stainless steel quick release latches, heavy-duty motor and cast iron drives. Motor, bearings and drives enclosed in weathertight compartment separated from air stream. Oil- and heat-resistant belts. built-in lifting lugs. 115V, 60Hz, 1 phase. AMCA certified; UL and CUL listed.



ACED Dimension Data

| Size | A | B | C | G | T Sq. | Roof Opening Square* | Ship. Wt. |
|------|---------|---------|----------|---|-------|----------------------|-----------|
| 70 | 1-3/4 | 13-5/8 | 13-13/16 | 2 | 18 | 13-1/2 | 20 |
| 90 | 2-1/2 | 18-3/4 | 16-13/16 | 2 | 18 | 13-1/2 | 28 |
| 100 | 2-1/2 | 18-3/4 | 16-13/16 | 2 | 18 | 13-1/2 | 30 |
| 120 | 1-7/16 | 28-7/16 | 26-9/16 | 2 | 20 | 15-1/2 | 67 |
| 135 | 1-15/16 | 28-7/16 | 27-1/16 | 2 | 20 | 15-1/2 | 72 |

All dimensions in inches. *Roof opening size for curbs supplied by Loren Cook Company only. Weights in pounds.

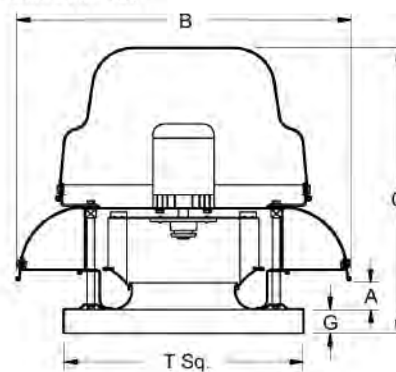


Loren Cook Company certifies that the ACED shown herein is licensed to bear the AMCA Seal. The ratings shown are based on tests and procedures performed in accordance with AMCA Publication 211 and AMCA Publication 311 and comply with the requirements of the AMCA Certified Ratings Program.

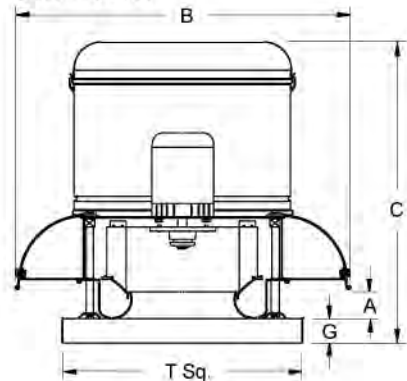


Type ACED is furnished standard with UL 705 and cUL 705 listings (Power Ventilator/ZACT).

Sizes 70 - 100



Sizes 120 - 180



| Catalog Number | Mtr. HP | Fan RPM | Tip Speed | Max. Watts | 0.00" SP | | 0.125" SP | | 0.250" SP | | 0.375" SP | | 0.500" SP | | 0.625" SP | | 0.750" SP | | Fan Price | Curb Price | Damper Price | Voltage |
|----------------|---------|---------|-----------|------------|----------|-----|-----------|-----|-----------|-----|-----------|-----|-----------|-----|-----------|-----|-----------|-----|-----------|-----------------|-----------------|---------|
| | | | | | Sone | BHP | Sone | BHP | Sone | BHP | Sone | BHP | Sone | BHP | Sone | BHP | Sone | BHP | | | | |
| 70C15DH | 1/20 | 1550 | 2837 | 96 | 305 | | 249 | | 194 | | 135 | | | | | | | | \$308 | 16 1/2 x 16 1/2 | 11 3/4 x 11 3/4 | 115/1 |
| | | | | | 5.2 | | 5.2 | | 5.1 | | 5.0 | | | | | | | | | | | |
| 90C15DH | 1/8 | 1550 | 3658 | 148 | 865 | | 759 | | 650 | | 509 | | 411 | | 289 | | 131 | | \$343 | 16 1/2 x 16 1/2 | 11 3/4 x 11 3/4 | 115/1 |
| | | | | | 9.1 | | 9.1 | | 8.9 | | 8.4 | | 8.0 | | 7.6 | | 7.2 | | | | | |
| 100C15DH | 1/8 | 1550 | 4061 | 194 | 967 | | 856 | | 766 | | 667 | | 552 | | 444 | | 384 | | \$343 | 16 1/2 x 16 1/2 | 11 3/4 x 11 3/4 | 115/1 |
| | | | | | 11.0 | | 11.0 | | 10.8 | | 10.7 | | 10.5 | | 10.4 | | 10.2 | | | | | |
| 120C15D | 1/4 | 1550 | 4869 | - | 1661 | | 1596 | | 1531 | | 1463 | | 1392 | | 1324 | | 1252 | | \$487 | 18 1/2 x 18 1/2 | 13 1/2 x 13 3/4 | 115/1 |
| | | | | | 12.4 | .23 | 12.4 | .23 | 12.4 | .24 | 12.2 | .25 | 12.0 | .26 | 11.6 | .27 | 11.3 | .27 | | | | |
| 135C15D | 1/2 | 1550 | 5478 | - | 2364 | | 2292 | | 2219 | | 2144 | | 2066 | | 1987 | | 1910 | | \$540 | 18 1/2 x 18 1/2 | 13 3/4 x 13 3/4 | 115/1 |
| | | | | | 15.8 | .41 | 15.8 | .42 | 15.8 | .43 | 15.7 | .44 | 15.5 | .46 | 15.3 | .48 | 15.0 | .48 | | | | |

Price includes prewire disconnect and prewired speed controller.



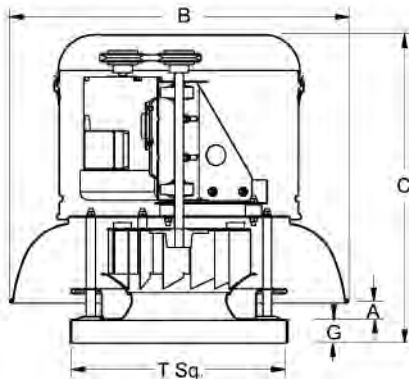
Downblast Centrifugal Exhaust Ventilator Roof Mounted Belt Drive



Loren Cook Company certifies that the ACEB shown herein is licensed to bear the AMCA Seal. The ratings shown are based on tests and procedures performed in accordance with AMCA Publication 211 and AMCA Publication 311 and comply with the requirements of the AMCA Certified Ratings Program.



Type ACEB is furnished standard with UL 705 and cUL 705 listings (Power Ventilator/ZACT) when furnished with factory supplied motor.



Description - Fan shall be a spun aluminum, roof mounted, belt driven, downblast centrifugal exhaust ventilator.

Certifications - Fan shall be manufactured at an ISO 9001 certified facility. Fan shall be listed by Underwriters Laboratories (UL 705) and UL listed for Canada (cUL 705). Fan shall bear the AMCA Certified Ratings Seal for Sound and Air Performance.

Construction - Fan shall be of bolted and welded construction utilizing corrosion resistant fasteners. The spun aluminum structural components shall be constructed of minimum 16 gauge marine alloy aluminum, bolted to a rigid aluminum support structure. The aluminum base shall have continuously welded curb cap corners for maximum leak protection. The discharge baffle shall have a rolled bead for added strength. A two piece top cap shall have stainless steel quick release latches to provide access into the motor compartment without the use of tools. An integral conduit chase shall be provided through the curb cap and into the motor compartment to facilitate wiring connections. The motor, bearings and drives shall be mounted on a minimum 14 gauge steel power assembly, isolated from the unit structure with rubber vibration isolators. These components shall be enclosed in a weather-tight compartment, separated from the exhaust airstream. Lifting lugs shall be provided to help prevent damage from improper lifting. Unit shall bear an engraved aluminum nameplate. Nameplate shall indicate design CFM, static pressure and maximum fan RPM. Unit shall be shipped in ISTA Certified Transit Tested Packaging.

Wheel - Wheel shall be centrifugal backward inclined, constructed of 100 percent aluminum, including a precision machined cast aluminum hub. Wheel inlet shall overlap an aerodynamic aluminum inlet cone to provide maximum performance and efficiency. Wheel shall be balanced in accordance with AMCA Standard 204-96, Balance Quality and Vibration Levels for Fans.

Motor - Motor shall be heavy duty type with permanently lubricated sealed ball bearings and furnished at the specified voltage, phase and enclosure.

Bearings - Bearings shall be designed and individually tested specifically for use in air handling applications. Construction shall be heavy duty regreasable ball type in a cast iron pillowblock housing selected for a minimum L50 life in excess of 200,000 hours at maximum cataloged operating speed.

Belts and Drives - Belts shall be oil and heat resistant, non-static type. Drives shall be precision machined cast iron type, keyed and securely attached to the wheel and motor shafts. Drives shall be sized for 150 percent of the installed motor horsepower. The variable pitch motor drive must be factory set to the specified fan RPM.

Product - Fan shall be model ACEB as manufactured by Loren Cook Company of Springfield, Missouri.

ACEB Dimension Data

| Size | A | B | C | G | T Sq. | Roof Opening Square* | Ship. Wt. |
|-------|---------|----------|--------|---|-------|----------------------|-----------|
| 60 | 2-7/8 | 23-9/16 | 21-1/8 | 2 | 18 | 13-1/2 | 30 |
| 70/80 | 2-7/8 | 23-9/16 | 21-1/8 | 2 | 18 | 13-1/2 | 30 |
| 100 | 2-7/8 | 23-9/16 | 21-1/8 | 2 | 18 | 13-1/2 | 30 |
| 120 | 1-13/16 | 28-7/16 | 26-7/8 | 2 | 20 | 15-1/2 | 55 |
| 150 | 3-1/16 | 32-7/8 | 28-7/8 | 2 | 24 | 19-1/2 | 70 |
| 165 | 3-9/16 | 32-7/8 | 29-3/8 | 2 | 24 | 19-1/2 | 75 |
| 180 | 3-15/16 | 37-11/16 | 34-1/2 | 3 | 30 | 25-1/2 | 90 |
| 245 | 6-1/8 | 47-5/8 | 39-7/8 | 3 | 30 | 25-1/2 | 240 |

| Catalog Number | Mtr. HP/ Drv. Wt. | Fan RPM | Tip Speed | 0.00" SP | | 0.125" SP | | 0.250" SP | | 0.375" SP | | 0.500" SP | | 0.625" SP | | 0.750" SP | | Fan Price | Curb Price | Damper Price | Voltage | | |
|----------------|-------------------|------------|------------|------------|------------|-------------|------------|-------------|------------|-------------|-------------|-------------|------------|------------|------------|-----------|-------------|-----------|------------|--------------|-----------|---------|-------|
| | | | | Sone | BHP | Sone | BHP | Sone | BHP | Sone | BHP | Sone | BHP | Sone | BHP | Sone | BHP | | | | | Sone | BHP |
| 60C3B | 1/4* | 15 lbs. | 1787 | 4678 | 259 | | 243 | | 226 | | 209 | | 190 | | 169 | | 143 | | \$496 | 16½ x 16½ | 11¾ x 11¾ | \$36.00 | 115/1 |
| | | | | | 12.2 .18 | | 12.1 .18 | | 12.0 .18 | | 12.0 .16 | | 11.8 .18 | | 11.7 .18 | | 11.0 .17 | | | | | | |
| | | | | | 268 | | 253 | | 237 | | 220 | | 202 | | 182 | | 160 | | | | | | |
| | | | | | 13.0 .20 | | 13.0 .20 | | 12.9 .20 | | 12.8 .20 | | 12.7 .20 | | 12.5 .20 | | 12.1 .20 | | | | | | |
| | 1915 | 5013 | 278 | | 263 | | 247 | | 231 | | 214 | | 196 | | 175 | | | | | | | | |
| 13.9 .22 | | | 13.9 .22 | | 13.8 .22 | | 13.7 .22 | | 13.6 .22 | | 13.5 .22 | | 13.3 .22 | | | | | | | | | | |
| 1981 | 5186 | 287 | | 273 | | 258 | | 242 | | 226 | | 209 | | 190 | | | | | | | | | |
| | | 14.9 .25 | | 14.8 .24 | | 14.7 .24 | | 14.7 .24 | | 14.5 .24 | | 14.4 .24 | | 14.3 .24 | | | | | | | | | |
| 70C3B | 1/4* | 15 lbs. | 1752 | 4585 | 384 | | 358 | | 333 | | 306 | | 275 | | 245 | | 215 | | \$501 | 16½ x 16½ | 11¾ x 11¾ | \$36.00 | 115/1 |
| | | | | | 13.2 .18 | | 12.9 .18 | | 12.7 .18 | | 12.5 .18 | | 12.2 .18 | | 11.9 .17 | | 11.5 .18 | | | | | | |
| | | | | | 397 | | 372 | | 348 | | 323 | | 294 | | 264 | | 237 | | | | | | |
| | | | | | 14.1 .20 | | 13.9 .20 | | 13.7 .20 | | 13.4 .20 | | 13.1 .20 | | 12.8 .19 | | 12.4 .19 | | | | | | |
| | 1878 | 4916 | 411 | | 387 | | 363 | | 340 | | 313 | | 283 | | 256 | | | | | | | | |
| 15.1 .23 | | | 14.9 .22 | | 14.6 .22 | | 14.4 .22 | | 14.1 .22 | | 13.8 .22 | | 13.5 .21 | | | | | | | | | | |
| 1941 | 5081 | 425 | | 402 | | 379 | | 356 | | 331 | | 302 | | 276 | | | | | | | | | |
| | | 16.0 .25 | | 15.8 .24 | | 15.6 .24 | | 15.4 .24 | | 14.1 .22 | | 14.9 .24 | | 14.6 .23 | | | | | | | | | |
| 80C2B | 1/6* | 15 lbs. | 740 | 1937 | 345 | | 221 | | | | | | | | | | | \$510 | 16½ x 16½ | 11¾ x 11¾ | \$36.00 | 115/1 | |
| | | | | | 2.0 .02 | | 1.4 .02 | | | | | | | | | | | | | | | | |
| | | | | | 422 | | 327 | | 102 | | | | | | | | | | | | | | |
| | | | | | 3.4 .03 | | 2.9 .03 | | 2.3 .05 | | | | | | | | | | | | | | |
| | | | | | 500 | | 423 | | 329 | | | | | | | | | | | | | | |
| | | | | | 5.4 .05 | | 4.9 .05 | | 4.5 .05 | | | | | | | | | | | | | | |
| | | | | | 577 | | 510 | | 434 | | 356 | | | | | | | | | | | | |
| | 7.6 .08 | | 7.2 .08 | | 6.8 .08 | | 6.4 .08 | | | | | | | | | | | | | | | | |
| 1404 | 3675 | 654 | | 595 | | 536 | | 460 | | 394 | | | | | | | | | | | | | |
| | | 9.2 .11 | | 8.8 .11 | | 8.5 .12 | | 8.2 .12 | | 7.6 .11 | | | | | | | | | | | | | |
| | | 732 | | 679 | | 627 | | 567 | | 500 | | 442 | | 181 | | | | | | | | | |
| 10.9 .16 | | 10.5 .16 | | 10.1 .16 | | 9.8 .16 | | 9.5 .16 | | 9.0 .16 | | 8.5 .12 | | | | | | | | | | | |
| 100C3B | 1/4* | 15 lbs. | 1818 | 4759 | 1029 | | 978 | | 932 | | 890 | | 846 | | 793 | | 723 | | \$504 | 16½ x 16½ | 11¾ x 11¾ | \$36.00 | 115/1 |
| | | | | | 11.9 .16 | | 11.9 .16 | | 11.9 .16 | | 11.7 .17 | | 11.5 .18 | | 11.4 .18 | | 11.3 .18 | | | | | | |
| | | | | | 1066 | | 1017 | | 972 | | 931 | | 890 | | 842 | | 782 | | | | | | |
| | | | | | 12.8 .17 | | 12.8 .18 | | 12.8 .18 | | 12.6 .19 | | 12.4 .19 | | 12.2 .20 | | 12.1 .20 | | | | | | |
| | 1950 | 5105 | 1103 | | 1056 | | 1012 | | 972 | | 933 | | 889 | | 836 | | | | | | | | |
| 13.7 .19 | | | 13.7 .20 | | 13.7 .20 | | 13.5 .21 | | 13.3 .21 | | 13.2 .22 | | 13.1 .22 | | | | | | | | | | |
| 2014 | 5272 | 1140 | | 1094 | | 1051 | | 1012 | | 974 | | 934 | | 886 | | | | | | | | | |
| | | 14.8 .21 | | 14.8 .21 | | 14.8 .22 | | 14.6 .23 | | 14.3 .23 | | 14.1 .24 | | 14.0 .24 | | | | | | | | | |
| 120C3B | 1/4 | 15 lbs. | 1411 | 4432 | 1512 | | 1441 | | 1368 | | 1292 | | 1216 | | 1137 | | 1021 | | \$570 | 18½ x 18½ | 13¾ x 13¾ | \$39.00 | 115/1 |
| | | | | | 10.8 .17 | | 10.8 .18 | | 10.8 .18 | | 10.6 .20 | | 10.2 .20 | | 9.8 .20 | | 9.5 .20 | | | | | | |
| | 1618 | | 1552 | | 1484 | | 1414 | | 1342 | | 1272 | | 1193 | | | | | | | | | | |
| 11.9 .21 | | 11.9 .21 | | 11.9 .22 | | 11.7 .23 | | 11.5 .25 | | 11.1 .25 | | 10.8 .25 | | | | | | | | | | | |
| 150C4B | 1/3 | 19 lbs. | 1150 | 4516 | 2406 | | 2298 | | 2187 | | 2069 | | 1953 | | 1835 | | 1677 | | \$679 | 22½ x 22½ | 17¾ x 17¾ | \$45.00 | 115/1 |
| | | | | | 12.0 .26 | | 12.0 .28 | | 12.0 .30 | | 11.8 .32 | | 11.5 .33 | | 11.1 .33 | | 10.7 .33 | | | | | | |
| 165C5B | 1/2 | 23 lbs. | 1063 | 4549 | 2933 | | 2803 | | 2669 | | 2529 | | 2389 | | 2247 | | 2064 | | \$726 | 22½ x 22½ | 17¾ x 17¾ | \$45.00 | 115/1 |
| | | | | | 12.2 .36 | | 12.2 .36 | | 12.1 .37 | | 11.9 .40 | | 11.6 .41 | | 11.2 .41 | | 10.9 .41 | | | | | | |
| | 3136 | | 3014 | | 2891 | | 2761 | | 2628 | | 2499 | | 2362 | | | | | | | | | | |
| 14.0 .43 | | 14.0 .44 | | 14.0 .45 | | 13.9 .47 | | 13.5 .50 | | 13.1 .51 | | 12.8 .50 | | | | | | | | | | | |
| 180C7B | 1 | 36 lbs. | 1196 | 5636 | 4355 | | 4240 | | 4119 | | 3993 | | 3866 | | 3736 | | 3601 | | \$1022 | 28½ x 28½ | 23¾ x 23¾ | \$57.00 | 460/3 |
| | | | | | 18.5 .87 | | 18.5 .89 | | 18.5 .91 | | 18.2 .94 | | 17.8 .97 | | 17.4 .99 | | 16.7 1.00 | | | | | | |
| 245C7B | 1 | 36 lbs. | 666 | 4271 | 6262 | | 5996 | | 5713 | | 5380 | | 4975 | | 4464 | | | | \$1328 | 28½ x 28½ | 23¾ x 23¾ | \$57.00 | 460/3 |
| | | | | | 12.2 .81 | | 12.2 .84 | | 11.9 .86 | | 11.3 10.5 | | 10.5 .89 | | 9.7 .89 | | | | | | | | |
| | 6573 | | 6320 | | 6053 | | 5751 | | 5387 | | 4954 | | 4335 | | | | | | | | | | |
| 13.3 .94 | | 13.3 .97 | | 13.1 .99 | | 12.6 1.01 | | 11.8 1.02 | | 11.0 1.03 | | 10.3 1.00 | | | | | | | | | | | |

Price includes prewire disconnect.

| Size (inches) | Net Each |
|------------------|-------------|
| 12 x 12 | \$60.00 |
| 18 x 12 | \$82.00 |
| 18 x 18 | \$88.00 |
| 24 x 12 | \$100.00 |
| 24 x 24 | \$131.00 |
| 30 x 24 | \$142.00 |
| 36 x 24 | \$160.00 |
| 36 x 36 | \$241.00 |
| 48 x 48 | \$365.00 |

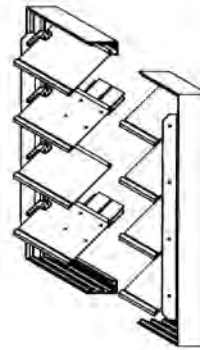


**Extruded Aluminum Louvers:
Nailor 1604DD**

- 4" Deep Dual Drainable Blades
- .080 Thick Blades
- 1½" Thick Frame
- Expanded Aluminum Bird Screen
- Mill Finish
- AMCA Certified 50% Free Area
- Removable Flanges for Channel Frame Application

Note: Flanges can be removed by removing screws and can be used in Channel Frame Application.

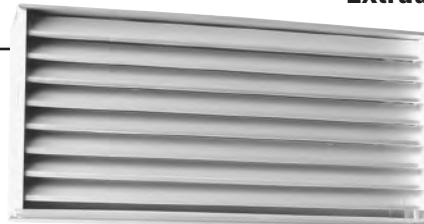
| Model | Size (inches) | Net Each |
|-------|------------------|-------------|
| SHC | 12x12 | \$38.00 |
| SHC | 18x18 | \$58.00 |
| SHC | 24x24 | \$72.00 |
| SHC | 36x36 | \$105.00 |
| SHC | 48x48 | \$215.00 |



**Model SHC gravity dampers
with counter balance weight**

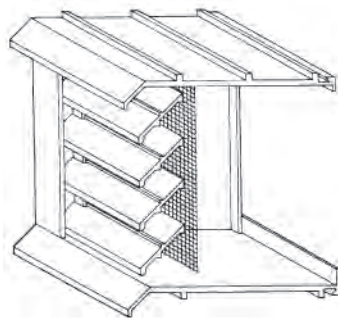
- Polyurethane foam blades and channel frame
- With dual tie bar and counter weights

| Model | Deep | Order Size (inches) | Min. Open (W X H) | Net Each |
|-------|------|------------------------|----------------------|-------------|
| EX | 4" | 16½ x 7¼ | 16¾ x 8¼ | \$65.00 |
| EX | 4" | 8½ x 7¼ | 8¾ x 8¼ | \$50.00 |
| FL | 1½" | 16½ x 7¼ | 17 x 8 | \$65.00 |
| FL | 1½" | 12 x 4¾ | 12½ x 5 | \$49.00 |

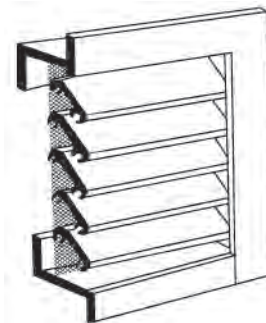


**Extruded Aluminum Brick Vents:
Model EX and FL**

- 1½" or 4" Deep
- Includes Water Stop and Insect Screen
- Aluminum Construction



Model EX



Model FL

Note: Model Ex 4" Deep No Flange
Model FL ½" Deep With Flange

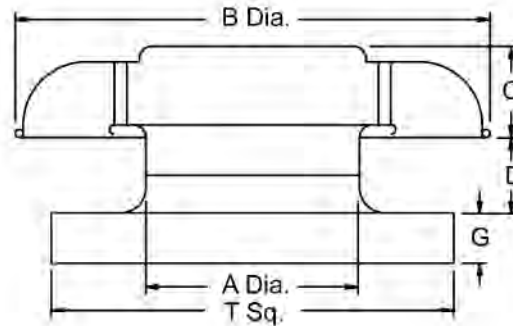
Spun Aluminum Gravity Ventilator



Description - Unit shall be a spun aluminum, roof mounted gravity ventilator.

Construction - The unit shall be of bolted and welded construction utilizing corrosion resistant fasteners. The spun aluminum structural components shall be constructed of minimum 16 gauge marine alloy aluminum, bolted to a rigid aluminum support structure. The aluminum base shall have continuously welded curb cap corners for maximum leak protection. The spun aluminum baffle shall have a rolled bead for added strength. Birdscreen constructed of 1/2" mesh shall be mounted across the air opening. Unit shall bear an engraved aluminum nameplate. Nameplate shall indicate design CFM and static pressure. Unit shall be shipped in ISTA Certified Transit Tested Packaging.

Product - Unit shall be model PR as manufactured by Loren Cook Company of Springfield, Missouri.



| Size | A Dia. | B Dia. | C | D | G | T Sq. | Roof Opening | Approx. Ship Wt. - Lbs. | Net Each | Curb Price |
|------|---------|---------|----------|--------|----|-------|--------------|-------------------------|----------|------------|
| 8 | 8 1/2" | 18 1/4" | 4 5/8" | 3 1/2" | 2" | 18" | 13 1/2" | 20 | \$112 | \$58 |
| 12 | 12 1/2" | 28 1/4" | 4 13/16" | 3 1/2" | 2" | 20" | 15 1/2" | 30 | \$132 | \$67 |
| 16 | 16 1/2" | 28 1/4" | 5 1/8" | 5 1/2" | 2" | 28" | 23 1/2" | 35 | \$185 | \$98 |
| 20 | 20 1/2" | 36 1/2" | 6 3/4" | 4 7/8" | 2" | 32" | 27 1/2" | 80 | \$237 | \$107 |

PR - Intake Performance Data

| Size | Throat Area (Sq. Ft.) | Face Area (Sq. Ft.) | CFM at 500 FPM Face Velocity | Pressure Drop (in WG) | | | | | | | |
|------|-----------------------|---------------------|------------------------------|-----------------------|------|-------|------|------|------|------|-------|
| | | | | 0.05 | 0.1 | 0.125 | 0.15 | 0.2 | 0.25 | 0.3 | 0.375 |
| | | | | CFM | | | | | | | |
| 8 | .394 | 1.38 | 690 | 252 | 356 | 398 | 436 | 503 | 543 | 617 | 669 |
| 12 | .852 | 2.04 | 1020 | 529 | 749 | 837 | 917 | 1059 | 1142 | 1297 | 1450 |
| 16 | 1.485 | 3.08 | 1540 | 936 | 1324 | 1480 | 1621 | 1872 | 2019 | 2293 | 2563 |
| 20 | 2.292 | 5.31 | 2655 | 1452 | 2054 | 2296 | 2516 | 2905 | 3132 | 3558 | 3977 |

PR - Relief Performance Data

| Size | Throat Area (Sq. Ft.) | Face Area (Sq. Ft.) | Pressure Drop (in WG) | | | | | | | | |
|------|-----------------------|---------------------|-----------------------|------|-------|------|------|------|------|-------|------|
| | | | 0.05 | 0.1 | 0.125 | 0.15 | 0.2 | 0.25 | 0.3 | 0.375 | 0.5 |
| | | | CFM | | | | | | | | |
| 8 | .394 | 1.38 | 212 | 299 | 334 | 366 | 423 | 473 | 518 | 579 | 669 |
| 12 | .852 | 2.04 | 445 | 629 | 703 | 770 | 889 | 994 | 1089 | 1218 | 1406 |
| 16 | 1.485 | 3.08 | 786 | 1112 | 1243 | 1362 | 1573 | 1758 | 1926 | 2154 | 2487 |
| 20 | 2.292 | 5.31 | 1220 | 1726 | 1929 | 2114 | 2440 | 2729 | 2989 | 3342 | 3859 |

ROOF CURBS



Self Flashing Roof Curbs

Roof curbs 12" & 13.5" high are constructed of 18 ga galvanized sheet metal with welded seams. They have a 1/2" thick fiberglass insulation and factory installed treated wood nailer strip.

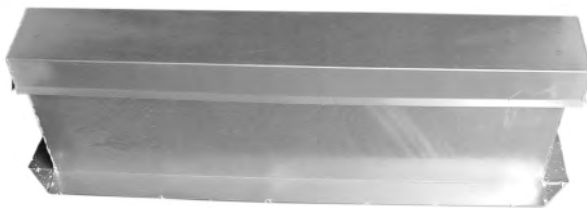
- 13.5" are for Loren Cook fans and gravity hoods

| Curb Size OD (inches) | Height (inches) | Damper Shelf (inches) | Net Each |
|--------------------------|--------------------|--------------------------------|-------------|
| 12x12 | 12 | N/A | \$45.00 |
| 15x15 | 12 | 9 | \$51.00 |
| 16.5x16.5 | 13.5 | 9 ³ / ₄ | \$58.00 |
| 18.5x18.5 | 13.5 | 11 ³ / ₄ | \$67.00 |
| 22.5x22.5 | 13.5 | 15 ³ / ₄ | \$79.00 |
| 26.5x26.5 | 13.5 | 19 ³ / ₄ | \$98.00 |
| 28.5x28.5 | 13.5 | 21 ³ / ₄ | \$101.00 |
| 30.5x30.5 | 13.5 | 23 ³ / ₄ | \$107.00 |
| 33.75x33.75 | 12 | 27 | \$115.00 |

| Size L x W x H (inches) | Net Each |
|-------------------------------|-------------|
| 36 x 4 x 12 | \$79.00 |
| 48 x 4 x 12 | \$100.00 |

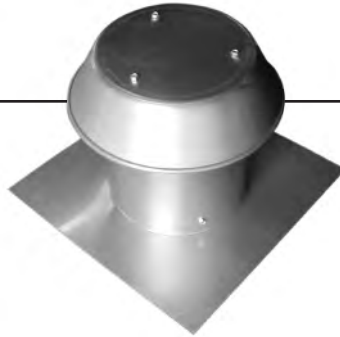
Equipment Rails

Equipment Rails are 12" tall no cant surface mount. Rail construction is all welded 18 ga galvanized steel shell and base, wood nailer and flashing cap of 20 ga galvanized steel.



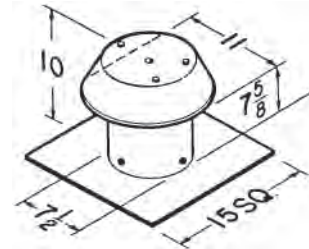
Roof Cap: Model 611

- ▶ For flat roof installation
- ▶ Aluminum - natural finish
- ▶ Built-in birdscreen
- ▶ For up to 8" round duct



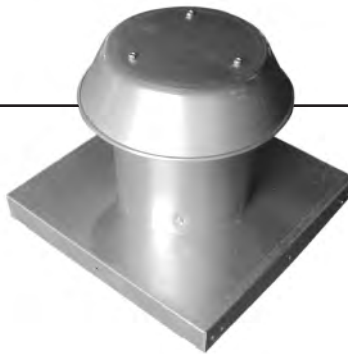
Net
Each

\$60.00



Roof Cap: Model 611CM

- ▶ For curb mount installation
- ▶ Other features same as Model 611

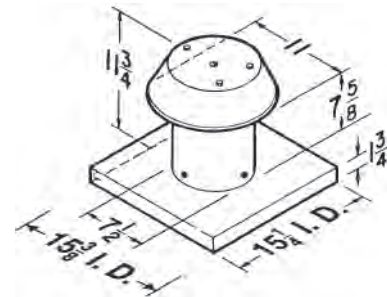


Curb
Price

\$51.00

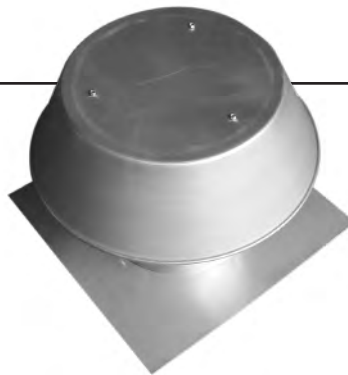
Net
Each

\$78.00



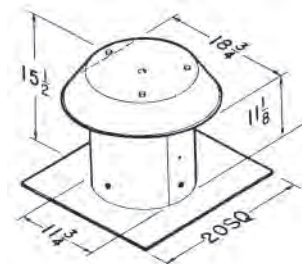
Roof Cap: Model 612

- ▶ For flat roof installation
- ▶ Aluminum - natural finish
- ▶ Built-in birdscreen
- ▶ For up to 12" round duct



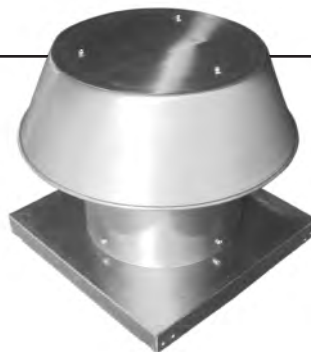
Net
Each

\$105.00



Roof Cap: Model 612CM

- ▶ For curb mount installation
- ▶ Other features same as Model 612

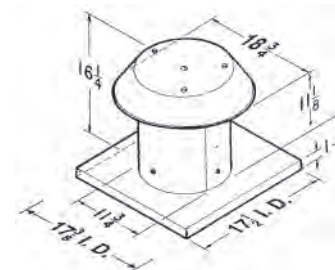


Curb
Price

\$58.00

Net
Each

\$111.00





PIPE FLASHING SYSTEMS

The solution of weathertight penetration seals

RPS Pipe Portal® Flashing Systems are a versatile, leakproof, and weathertight solution to routing pipes through a roof. The RPS Pipe Portal® Flashing Systems is designed to allow for both vertical and horizontal pipe movement, yet provide a maintenance-free permanent installation which accommodates round pipe sizes of 3/8" up to 12". The key to the effectiveness of the Pipe Portal® System is the cover and the cap. The seamless cover is molded of UV-resistant ABS plastic which has factory laminated acrylic coating to give high resistance to deterioration from both ozone and ultraviolet rays of the sun, as well as a serviceable temperature range of -40° F to 160° F. Integral to the cover is a molded collar with sealing ring which mechanically locks the flexible cap to the cover creating a Weather-Tite Pressure Seal. The flexible rubber caps are molded of time-proven EPDM rubber which is resistant to deterioration from both ozone and ultraviolet rays of the sun with a serviceable temperature range of -60° F to +250° F. The conically-shaped steps of the nipple(s) provides a taut waterproof seal around the pipe(s) and the furnished stainless steel clamp(s) give added protection to guarantee the pipe seal(s).

- **RPS CURB...** The sure way of attaching roof flashing... insulated sidewalls to prevent condensation.
- **MOLDED ABS COVER...** UV and ozone resistant...crowned to shed water... reinforcing ribs to counteract snow loads... integral counterflashing with drip edge to direct water away from flashings.
- **MOLDED EPDM RUBBER CAP...** Precision molded to fit actual pipe sizes...integral mechanical lock to cover with Weather-Tite Pressure Seal...allows flexibility in any direction while maintaining pipe seal.
- **STAINLESS STEEL CLAMP(S)...** Provides additional assurance of effective pipe seal at cap.



| MODEL | DESCRIPTION | NET EACH |
|----------------|---|----------|
| ABS Curb Cap | 1 hole cover for 12 x 12 curb | \$60.00 |
| N18 Cap/Clamps | For four 3/8" to 1" pipes | \$36.00 |
| N21 Cap/Clamps | For four 1" to 2" pipes | \$36.00 |
| N28 Cap/Clamps | For two 3/8" to 1" & two 1" to 2" pipes | \$36.00 |
| N62 Cap/Clamps | For one 2" to 6" pipe | \$36.00 |
| DM5 | Flashing 4" to 7" | \$44.00 |
| DM8 | Flashing 7" to 13" | \$86.00 |
| SDM5 | High temp flashing 4" to 7" | \$105.00 |
| SDM8 | High temp flashing 7" to 13" | \$232.00 |
| Alum. - Short | Aluminum Flashing 4" | \$39.00 |
| Alum. - Tall | Aluminum Flashing 13" | \$132.00 |

For 12 x 12 curb, see page 32



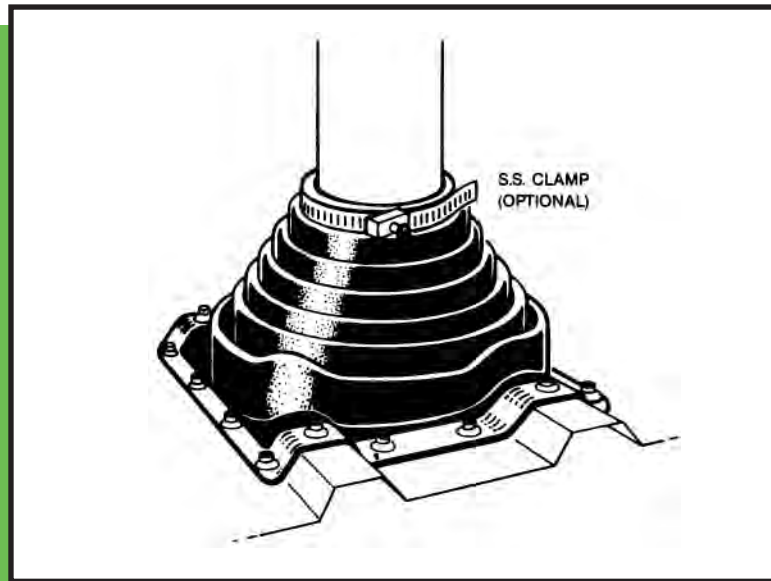


PIPE FLASHING SYSTEMS

The solution of weathertight penetration seals

RPS Deck-Mate Flashing Systems are designed to accommodate pipes from 1/8" to 13" in diameter and work in conjunction with any configuration of colligated metal roofing or wall systems. The flexibility of the EPDM rubberflashing allows for both vertical and horizontal pipe movement, yet provides a maintenance-free permanent installation. To form a positive seal with the metal roofing or siding, the Deck-Mate is engineered and manufactured with a flexible aluminum base which can easily be conformed to any contour or irregularity in the underlying metal panels. To prevent any possible corrosive effects with the aluminum flange, the rubber boot is fully molded under the aluminum providing a barrier between the aluminum flange and any dis-similar metals. In addition the rubber under the aluminum flange gives assurance of an added seal between the Deck-Mate and the panel. Field attachment of the Deck-Mate to the panel is simple with silicone sealant and standard sheet metal fasteners with rubber washers.

- **ALUMINUM FLANGE...** Seamless construction with no leaks...engineered directly to the rubber boot during the molding process... factory adhered flange can't be lost.
- **MOLDED EPDM RUBBER BOOT...** Precision molded to fit actual pipe sizes...allows flexibility in any direction while maintaining pipe seal.
- **STAINLESS STEEL CLAMP...** Provides additional assurance of effective pipe seal at cap.



Construction

Air Tight Inner Core - Double lamination of strong polyester encapsulates a steel wire helix.
 Insulation - Formaldehyde-free Multi-thicknesses (R6) wraps the double layer inner core.
 Jacket- Tough and durable bi-directional fiber reinforced metalized polyester jacket.



Application and Compliances

Product is designed for indoor use as a supply or return air duct in low to medium pressure residential and commercial heating and air conditioning systems. R values 6.0 can be used to complete air duct systems, branch duct, connecting to mixing boxes, diffusers, room inlets, or other devices. R factor requirements are determined by geographic building codes.

Performance Data

Conforms to U.L. Standard 181.

Intertek Testing Service

| | |
|------------------------------|-------------|
| Max. Rated Velocity | 5500FPM |
| Max. Rated Positive Pressure | 10in. W.G. |
| Max. Rated Negative Pressure | 3/4in. W.G. |

See installation instructions for joint treatments

Flame Spread 25 Max.

Smoke Developed 50 Max

Code Compliance: NFPA 90A and 90B, UL181

| Size (inches) | Box (25') COST |
|----------------------------|-----------------|
| 4 | \$16.65 |
| 5 | \$18.85 |
| 6 | \$21.85 |
| 7 | \$23.30 |
| 8 | \$26.50 |
| 9 | \$28.55 |
| 10 | \$32.90 |
| 12 | \$40.00 |
| 14 | \$47.85 |
| 16 | \$55.60 |
| 18 | \$63.40 |
| 20 | \$74.40 |
| | Net Each |
| Panduit Straps 50/pack | \$10.00 |
| Panduit Gun | \$42.00 |
| Panduit Gun w/Auto Cut Off | \$55.00 |

UNINSULATED FLEXIBLE DUCT



| Size (inches) | Box (25') COST |
|---------------|----------------|
| 4 | \$12.60 |
| 5 | \$15.50 |
| 6 | \$16.75 |
| 7 | \$19.25 |
| 8 | \$21.85 |
| 9 | \$25.80 |
| 10 | \$30.00 |
| 12 | \$35.00 |
| 14 | \$42.00 |
| 16 | \$51.00 |
| 18 | \$60.00 |

Uninsulated Flexible Duct: Model UPC #050

An uninsulated, U.L. 181, Class 1 Air Connector, constructed of a triple lamination of metalized polyester, aluminum foil and polyester film encapsulating a steel wire helix.

Performance Data:

Rated Positive Pressure: 10" w.g. per U.L. 181

Recommended Operating Pressure: 6" w.g. pos., all dia.; 3/4" neg., all dia.

Velocity: 5,000 FPM

Standard Diameters: 3"-20"

Flame Spread/Smoke Developed:
Less than 25/Less than 50.

Spiral Duct & Fittings

DUCT TAPE



Polyken and Nashua: Sure Flex PC783 UL .181

Contractor Grade/Printed Metalized Polycoated

Printed smooth flow metalized polyethylene for use on flex duct, sheet metal and fiberboard. More flexible and conformable with higher adhesive values than most rigid foil products.

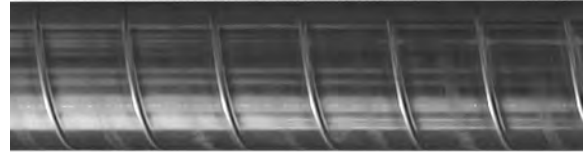
| Model | Size (inches) | Description | Net Each |
|--------------|---------------|--|----------|
| Polyken 557 | 2 | Silver UL 181B-FX for flexible air duct & air connectors | \$12.00 |
| Polyken 557 | 2½ | Silver UL 181B-FX for flexible air duct & air connectors | \$15.00 |
| Polyken 557 | 3 | Silver UL 181B-FX for flexible air duct & air connectors | \$17.00 |
| Polyken 339 | 2½ | Aluminum UL 181B-A-P UL 181B-FX Peel-Off | \$15.00 |
| Nashua FSK | 3 | Foil/Skrim/Kraft FSK Duct Board & Insulation | \$13.00 |
| 360-17 ALU | 3 | Mastic Tape Temp Range °F 20-200 Waterproof | \$25.00 |
| 555 Flex Fix | 2 | Metallic FlexFix Max Temp °F 210 | \$11.00 |



- Semco Single-Wall Spiral
- Medium Pressure Galvanized Steel G-60
- Construction with Gasketed Connections

SPIRAL DUCT

| Dia. | Length | Net Each | Weight |
|------|--------|----------|--------|
| 4" | 10' Ft | \$20.50 | 10.23 |
| 6" | 10' Ft | \$28.00 | 15.89 |
| 8" | 10' Ft | \$32.50 | 21.46 |
| 10" | 10' Ft | \$41.00 | 27.00 |
| 12" | 10' Ft | \$48.50 | 32.50 |
| 14" | 10' Ft | \$60.00 | 38.00 |
| 16" | 10' Ft | \$82.50 | 43.48 |
| 18" | 10' Ft | \$90.00 | 48.96 |
| 20" | 10' Ft | \$101.00 | 54.43 |
| 24" | 10' Ft | \$120.50 | 65.38 |



REDUCERS

| Dia. A | Dia. B | Net Each | Dia. A | Dia. B | Net Each |
|--------|--------|----------|--------|--------|----------|
| 6" | 4" | \$19.00 | 16" | 12" | \$34.00 |
| 8" | 6" | \$18.00 | 16" | 14" | \$34.00 |
| 10" | 6" | \$20.25 | 18" | 14" | \$53.00 |
| 10" | 8" | \$20.25 | 18" | 16" | \$53.00 |
| 12" | 8" | \$23.75 | 20" | 16" | \$59.00 |
| 12" | 10" | \$23.75 | 20" | 18" | \$59.00 |
| 14" | 10" | \$26.00 | 24" | 20" | \$81.00 |
| 14" | 12" | \$26.00 | | | |



SADDLE TAP

| Dia. B Main | Dia. A Main | Net Each | Dia. B Main | Dia. A Main | Net Each |
|-------------|-------------|----------|-------------|-------------|----------|
| 6" | 4" | \$15.75 | 16" | 14" | \$28.00 |
| 6" | 6" | \$17.00 | 18 - 20" | 10" | \$19.50 |
| 8" | 6" | \$17.00 | 18 - 20" | 12" | \$24.00 |
| 8" | 8" | \$18.00 | 18" | 8" | \$18.50 |
| 10" | 6" | \$17.00 | 18" | 14" | \$44.00 |
| 10" | 8" | \$18.00 | 18" | 16" | \$44.00 |
| 10" | 10" | \$19.25 | 18" | 18" | \$58.00 |
| 12" | 8" | \$18.00 | 20" | 14" | \$44.00 |
| 12" | 10" | \$19.25 | 20" | 20" | \$63.00 |
| 12" | 12" | \$25.00 | 24" | 10" | \$19.00 |
| 14 - 16" | 10" | \$19.25 | 24" | 12" | \$25.00 |
| 14 - 16" | 12" | \$25.00 | 24" | 14" | \$26.00 |
| 14 - 16" | 16" | \$31.00 | 24" | 16" | \$31.00 |
| 14" | 6" | \$17.00 | 24" | 18" | \$42.00 |
| 14" | 8" | \$18.00 | 24" | 20" | \$47.00 |
| 14" | 14" | \$26.00 | | | |



90° ELBOW

| Dia. | Net Each |
|------|----------|
| 4" | \$17.00 |
| 6" | \$18.50 |
| 8" | \$28.00 |
| 10" | \$39.85 |
| 12" | \$51.50 |
| 14" | \$71.50 |
| 16" | \$92.00 |
| 18" | \$118.00 |
| 20" | \$142.00 |
| 24" | \$197.00 |



14" - 24"
5 piece Construction



4" - 12"
1 piece Construction

45° ELBOW

| Dia. | Net Each |
|------|----------|
| 4" | \$14.00 |
| 6" | \$16.00 |
| 8" | \$19.00 |
| 10" | \$25.00 |
| 12" | \$31.00 |
| 14" | \$45.00 |
| 16" | \$55.50 |
| 18" | \$65.00 |
| 20" | \$74.00 |
| 24" | \$101.60 |



14" - 24"
3 piece Construction



4" - 12"
1 piece Construction

VOLUME DAMPERS

| Dia. | Net Each |
|------|----------|
| 4" | \$26.00 |
| 6" | \$29.00 |
| 8" | \$32.00 |
| 10" | \$38.60 |
| 12" | \$44.80 |
| 14" | \$58.00 |
| 16" | \$65.10 |
| 18" | \$72.00 |
| 20" | \$79.40 |
| 24" | \$98.15 |



COUPLING

| Dia. | Net Each |
|------|----------|
| 4" | \$7.00 |
| 6" | \$7.50 |
| 8" | \$8.30 |
| 10" | \$9.50 |
| 12" | \$12.00 |
| 14" | \$15.30 |
| 16" | \$16.00 |
| 18" | \$17.00 |
| 20" | \$19.75 |
| 24" | \$26.00 |



PLUG

| Dia. | Net Each |
|------|----------|
| 4" | \$9.00 |
| 6" | \$10.00 |
| 8" | \$12.00 |
| 10" | \$14.00 |
| 12" | \$15.00 |
| 14" | \$18.00 |
| 16" | \$22.00 |
| 18" | \$27.00 |
| 20" | \$33.00 |
| 24" | \$43.50 |



BELL MOUTH

| Dia. | Net Each |
|------|----------|
| 4" | \$13.00 |
| 6" | \$13.00 |
| 8" | \$13.00 |
| 10" | \$14.00 |
| 12" | \$15.00 |
| 14" | \$16.00 |
| 16" | \$16.85 |
| 18" | \$17.90 |
| 20" | \$18.70 |
| 24" | \$21.00 |



UNIVERSAL SPIRAL DUCT GRILL

| Size | Minimum Duct Diameter (inches) | CFM | Net Each |
|--------|-----------------------------------|-----|----------|
| 17 x 3 | 6 | 144 | \$45.00 |
| 21 x 3 | 6 | 180 | \$49.00 |
| 25 x 3 | 6 | 216 | \$55.00 |
| 17 x 6 | 12 | 288 | \$56.00 |
| 21 x 6 | 12 | 360 | \$62.00 |
| 25 x 6 | 12 | 438 | \$75.00 |

GRIPPLE

LOOPS, STUDS & EYELETS

Provides lighter, easier and faster alternative to threaded rod for hanging mechanical and electrical and HVAC equipment. Ready to use; requires no additional preparation time. Includes cable with loop or stud end fixing; grip secures free of cable and allows height adjustment of hanging object.

Loop For wrap-around anchoring on bar joists or other roof structures.

Stud For anchoring into concrete or metal. Includes ¼ drop-in expansion anchor.

Eyelet For anchoring into concrete, ceiling or decking.



| Model | Weight | Length | End Fixing | Price per bag of 10 |
|-----------|---|--------|------------|---------------------|
| HF-0210L | 100 | 10' | Loop | \$65 |
| HF-0215L | 100 | 15' | Loop | \$69 |
| HF-0310L | 200 | 10' | Loop | \$72 |
| HF-0315L | 200 | 15' | Loop | \$85.20 |
| HF-0310S | 200 | 10' | Stud | \$73.40 |
| HF-0315S | 200 | 15' | Stud | \$79 |
| HF-EYE90G | 100 | 10' | Eye | \$61.80 |
| HF-EYE90G | 100 | 15' | Eye | \$71.20 |
| HF-WRC | cable and wire cutter | | | \$37.00 Each |
| HF-CCS | corner saddle for rectangular duct work | | | \$0.34 Each |



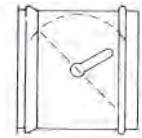
Spin-In With Damper

| Size (inches) | Net Each | Size (inches) | Net Each |
|---------------|----------|---------------|----------|
| 6 | \$3.70 | 12 | \$5.70 |
| 7 | \$4.50 | 14 | \$7.40 |
| 8 | \$4.80 | 15 | \$20.00 |
| 9 | \$5.15 | 16 | \$20.00 |
| 10 | \$5.30 | 18 | \$22.65 |



Spin-In Take Offs: S-3

For use with galvanized trunk duct



S-3

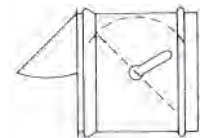
Spin-In With Scoop And Damper

| Size (inches) | Net Each | Size (inches) | Net Each |
|---------------|----------|---------------|----------|
| 6 | \$5.10 | 12 | \$8.60 |
| 7 | \$5.85 | 14 | \$13.40 |
| 8 | \$6.45 | 15 | \$24.40 |
| 9 | \$6.50 | 16 | \$24.40 |
| 10 | \$7.40 | | |



Spin-In Take Offs: S-4

For use with galvanized trunk duct



S-4

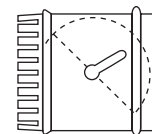
Starting Collars With Damper Starting Collars Without Damper

| Size (inches) | Net Each (Plain) | Size (inches) | Net Each (w/ Damper) |
|---------------|------------------|---------------|----------------------|
| 4 | \$1.00 | 4 | \$3.20 |
| 6 | \$1.00 | 6 | \$2.90 |
| 7 | \$1.20 | 7 | \$3.35 |
| 8 | \$1.20 | 8 | \$4.20 |
| 9 | \$1.95 | 9 | \$5.15 |
| 10 | \$1.60 | 10 | \$4.30 |
| 12 | \$2.90 | 12 | \$5.15 |
| 14 | \$2.25 | 14 | \$8.85 |
| 16 | \$3.80 | 16 | \$12.15 |
| 18 | \$4.80 | 18 | \$15.70 |
| 20 | \$8.65 | | |



Starting Collars

For use with sheet metal duct



| Size (inches) | Net Each | Size (inches) | Net Each |
|---------------|----------|---------------|----------|
| 6 to 4 | \$4.10 | 10 to 9 | \$4.80 |
| 6 to 5 | \$3.65 | 12 to 8 | \$6.40 |
| 7 to 6 | \$4.25 | 12 to 10 | \$5.90 |
| 8 to 6 | \$3.50 | 14 to 10 | \$8.60 |
| 8 to 7 | \$4.55 | 14 to 12 | \$7.45 |
| 9 to 8 | \$5.05 | 16 to 14 | \$8.70 |
| 10 to 6 | \$5.15 | 18 to 16 | \$12.00 |
| 10 to 7 | \$5.40 | 20 to 18 | \$12.00 |
| 10 to 8 | \$4.50 | | |



Reducer

**Gasket Stick-on Fittings:
with damper, for square duct**



**DAMPER EXTENSIONS
FOR INSULATION.....\$1.75**

| Size (inches) | Net Each |
|------------------|-------------|
| 4 | \$5.65 |
| 5 | \$5.65 |
| 6 | \$5.30 |
| 7 | \$5.75 |
| 8 | \$5.95 |
| 10 | \$8.55 |
| 12 | \$10.45 |
| 14 | \$12.35 |
| 16 | \$13.85 |
| 18 | \$15.80 |
| 20 | \$18.40 |

**Gasket Stick-on Fittings:
with damper, for round duct**



**DAMPER EXTENSIONS
FOR INSULATION.....\$1.75**

| Size (inches) | Net Each |
|------------------|-------------|
| 4 | \$6.30 |
| 5 | \$6.30 |
| 6 | \$6.30 |
| 7 | \$6.85 |
| 8 | \$7.50 |
| 10 | \$9.35 |
| 12 | \$12.70 |
| 14 | \$13.80 |
| 16 | \$18.15 |
| 18 | \$27.20 |
| 20 | \$30.25 |

Bullhead Wyes



| Size (inches) | Net Each |
|------------------|-------------|
| 6x4x4 | \$12.60 |
| 8x6x6 | \$10.70 |
| 10x8x8 | \$12.60 |
| 12x10x10 | \$15.80 |
| 14x12x12 | \$26.45 |
| 16x14x14 | \$32.50 |
| 18x16x16 | \$33.70 |

End Caps



**DAMPER EXTENSIONS
FOR INSULATION.....\$1.75**

| Size (inches) | Net Each |
|------------------|-------------|
| 4 | \$3.55 |
| 5 | \$3.80 |
| 6 | \$4.15 |
| 7 | \$4.65 |
| 8 | \$5.20 |
| 9 | \$5.50 |
| 10 | \$5.80 |
| 12 | \$6.80 |
| 14 | \$8.80 |
| 16 | \$10.10 |
| 18 | \$13.45 |
| 20 | \$19.05 |

SNAP-LOCK PIPE, ELBOWS, REDUCERS & SQUARE TO ROUNDS



Snap-Lock Pipe: 26 Gauge, 5' Lengths

| Size | Net Each | Size | Net Each |
|------------|----------|------------|----------|
| 4"/26ga | \$6.60 | **18"/26ga | \$18.25 |
| 5"/26ga | \$7.50 | **20"/26ga | \$23.00 |
| 6"/26ga | \$7.90 | | |
| 7"/26ga | \$9.40 | | |
| 8"/26ga | \$10.70 | | |
| 9"/26ga | \$11.75 | | |
| 10"/26ga | \$12.95 | | |
| 12"/26ga | \$14.70 | | |
| 14"/26ga | \$17.40 | | |
| **16"/26ga | \$16.25 | | |



** 16", 18", 20" pipe comes in 4' lengths **

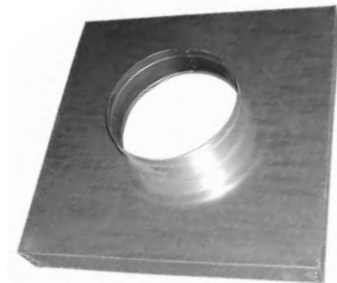
Elbow Pipe: 26 Gauge, 90°

| Size | Net Each | Size | Net Each |
|----------|----------|----------|----------|
| 4"/26ga | \$1.65 | 14"/26ga | \$8.40 |
| 5"/26ga | \$2.00 | 16"/26ga | \$10.30 |
| 6"/26ga | \$2.40 | 18"/26ga | \$16.50 |
| 7"/26ga | \$3.50 | 20"/26ga | \$20.00 |
| 8"/26ga | \$3.50 | | |
| 9"/26ga | \$4.35 | | |
| 10"/26ga | \$4.90 | | |
| 12"/26ga | \$6.20 | | |



Square to Round

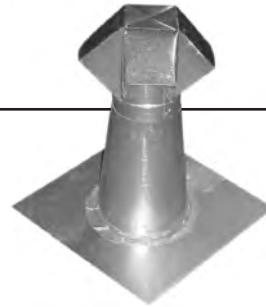
| Size (inches) | Net Each | Size (inches) | Net Each |
|----------------------|----------|---------------------|----------|
| 6x6 to 6 rd.*/** | \$5.00 | 20x20 to 14 rd.** | \$15.00 |
| 8x8 to 8 rd.* | \$5.00 | 20x20 to 16 rd.** | \$15.00 |
| 9x9 to 6 rd.* | \$6.00 | 20x20 to 18 rd.** | \$15.00 |
| 9x9 to 8 rd.*/** | \$6.00 | 20x20 to 20 rd.** | \$15.00 |
| 9x9 to 9 rd.*/** | \$6.00 | 21x21 to 8 rd.*** | \$17.00 |
| 10x10 to 6 rd.* | \$6.50 | 21x21 to 10 rd.*** | \$17.00 |
| 10x10 to 8 rd.* | \$6.50 | 21x21 to 12 rd.*** | \$17.00 |
| 10x10 to 10 rd.* | \$6.50 | 21x21 to 14 rd.*** | \$17.00 |
| 12x12 to 8 rd.* | \$7.00 | 21x21 to 16 rd.*** | \$17.00 |
| 12x12 to 10 rd.*/** | \$7.00 | 21x21 to 18 rd.*** | \$17.00 |
| 12x12 to 12 rd.*/** | \$7.00 | 21x21 to 20 rd.*** | \$17.00 |
| 14x14 to 14 rd.* | \$8.00 | 22x10 to 6 rd.*** | \$12.00 |
| 15x15 to 10 rd.***/* | \$8.00 | 22x10 to 8 rd.*** | \$12.00 |
| 15x15 to 12 rd.***/* | \$8.00 | 22x22 to 8 rd.*** | \$16.00 |
| 15x15 to 14 rd.***/* | \$8.00 | 22x22 to 10 rd.*** | \$16.00 |
| 16x16 to 16 rd.* | \$9.00 | 22x22 to 12 rd.*** | \$16.00 |
| 18x18 to 14 rd.***/* | \$10.00 | 22x22 to 14 rd.*** | \$16.00 |
| 18x18 to 16 rd.***/* | \$10.00 | 22x22 to 16 rd.*** | \$16.00 |
| 20x20 to 8 rd.** | \$15.00 | 22x22 to 18 rd.*** | \$16.00 |
| 20x20 to 10 rd.** | \$15.00 | 22x22 to 20 rd.*** | \$16.00 |
| 20x20 to 12 rd.** | \$15.00 | 22x46 to ?? rd.**** | \$26.00 |



*3" High **6" High ***1½" High ****Price on 22/46 doesn't include round adaptor



| Size (inches) | Tall Flashing | Cap | Storm Collar |
|---------------|---------------|---------|--------------|
| 4 | \$13.05 | \$6.75 | \$2.45 |
| 6 | \$17.65 | \$8.20 | \$3.30 |
| 8 | \$26.95 | \$10.65 | \$4.45 |
| 10 | \$52.30 | \$28.10 | \$9.85 |



Vent Top Flashing

Combo Assembly

| Size (inches) | Flashing & Cap Combos |
|---------------|-----------------------|
| 4 | \$17.70 |
| 6 | \$24.95 |
| 8 | \$29.00 |
| 10 | \$38.00 |

Combo Assembly

- Cone spot welded to flashing/sealed w/silicone
- Cap collar assembly w/rivets
- Entire Assembly spot welded

| Size (inches) | Net Each |
|-------------------|----------|
| 6 x 12 x 6 RD | \$15.90 |
| 6 x 12 x 8 RD | \$18.25 |
| 6.75 x 16 x 10 RD | \$28.40 |
| 8.5 x 18 x 12 RD | \$34.45 |
| 9.5 x 20 x 14 RD | \$39.30 |

High Efficiency Take Off With Damper & Gasket



| | | Price Each | Miscellaneous Items |
|-----|---|--------------|---------------------|
| 1) | #10 x 3/4" tech screws (self tapping) | 1000 count | \$14.00 |
| 2) | #10 x 3/4" tech screws (self tapping) | 6000 count | \$78.00 |
| 3) | 1" Galvanized Hanging Strap | 100' per box | \$11.00 |
| 4) | 1 1/2" Galvanized Hanging Strap | 100' per box | \$16.00 |
| 5) | Caddy Clamps Strap Hanger Clips MSR 24 | 50 per box | \$60.00 |
| 6) | Vent Fabric Quadrants for use up to 1/2 rod | | \$8.00 |
| 7) | Standing S-Lock 10' | | \$8.70 |
| 8) | Flat S-Lock 10' | | \$5.60 |
| 9) | 2" Angle 10' (22 ga) | | \$5.75 |
| 10) | Touch up Paint for Nailor Grilles (appliance white) | | \$18.00 |
| 11) | Panduit Duct Straps 36" | 50 per bag | \$10.00 |
| 12) | Panduit Gun | | \$42.00 |
| 13) | Panduit Gun with Auto Cut Off | | \$55.00 |
| 14) | 3/8" Threaded Rod 10' | | \$4.00 |
| 15) | Marco Strut 1 5/8" x 10' (14 ga) | | \$16.80 |
| 16) | Marco 3/8" Flat Washer Pleated | | \$0.06 |
| 17) | Marco 3/8" 16 Hex Nuts Pleated | | \$0.05 |
| 18) | Fire Damper Fusible Links 165° or 212° | | \$5.00 |
| 19) | Radiation Damper Fusible Links 165° or 212° | | \$5.00 |
| 20) | Ductmate ModelTB Beam Clamp | | \$2.50 |
| 21) | 3/8" Beam "C" Clamp | 10 per box | \$10.50 |
| 22) | 2" Brushes | | \$1.00 |
| 23) | 10'S Drive | | \$3.50 |
| 24) | Round Duct Strap Bracket | | \$2.40 |

| | | | |
|------------------|-----------------------------------|----------------|--|
| 12 | 12" Folding Tool 3/8", 1/2" | LSC9G | 9 1/2" Linemans Pliers |
| 12F | 12" Folding Tool 3/8", 1" | M12N | 12" Aluminum Snip |
| 12KH7 | 12" 7TPI Roughin Bi-Metal Blade | M12NRB | Replacement Blades for M12N |
| 18 | 18" Rad. Divider | M14N | 14" Aluminum Snip |
| 18F | 18" Folding Tool | M14NRB | Replacement Blades for M14N |
| 24 | 24" Rad. Divider | MAXCG1 | Max Grip, Left Cut |
| 24F | 24" Folding Tool | MAXCG2 | Max Grip, Right Cut |
| 4KH6 | 6" 6 Tpi Bi-Metal Roughin Blade-5 | MAXCG3 | Max Grip, Combo Cut +B29 |
| 4KH7 | 6" 7 Tpi Hi Carbon Roughin Blade | MAXCG5 | Max Grip, Bulldog |
| 4MC18 | 6" 18 Tpil Metal Cutting Blade-5p | MAXCG6 | Max Grip, Offset, Left Cut |
| 4MC24 | 6" 24 Tpil Metal Cutting Blade-5p | MAXCG7 | Max Grip, Offset, Right Cut |
| 9MC10 | 9L 10/14 Tpi Metal Cutting Blade | MB48A | Mini Brake, Single |
| AV1 | AV1 Crew Snip Left | MBL | Mini Brake, Legs |
| AV2 | AV2 Crew Snip Right | MC14N | 14" Aluminum Combination SN |
| AV3 | AV3 Crew Snip Combo | MC14NRB | Replacement Blades For MC14 |
| AV6 | AV6 Crew Snip Left O | MND10 | 5/16" Hollow Shaft Magnetic Nut Driver |
| AV7 | AV7 Crew Snip Right | MND10S | Stubby 5/16" Hollow Shaft Nut Driver |
| BHE06 | 6" Bit Holder 4p | MND8 | 1/4" Hollow Shaft Magnetic Nut Driver |
| BHE10 | 10" Bit Holder 4 | MND8S | Stubby 1/4" Hollow Shaft Nut Driver |
| C5 | C5 Pipe Crimper 5 Blade | MSH14 | 1/4" Magnetic Hex Driver |
| CAW10G | Crew Wrench 10 Adj | MSH3/8 | 3/8" Magnetic Hex Driver |
| CAW12G | Crew Wrench 12 Adj | MSH516 | 5/16" Magnetic Hex Driver |
| CAW4G | Crew Wrench 4" Adj | MSHL14 | 1/4" Magnetic Hex Driver, Long |
| CAW6G | Crew Wrench 6" Adj | MSHL516 | 5/16" Magnetic Hex Driver, Long |
| CAW8G | Crew Wrench 8" Adj | N1 | Hand Notcher |
| CB | Cutter Bit For HC1/HC2 | RB400 | Replacement Blade for TC400-6 |
| CBAB | Breakaway Utility Blades 10/12 | RH4V | 12 OZ. Gripped Riveting Hammer |
| CBAUK | Breakaway Utility Knife | RRW3 | Ratchet Wrench - Sq. Driver |
| CBB | Cutter Bit For HC1/HC2-5 | RRW316 | 3/16" Ratchet Wrench Insert |
| CG10 | Caulk Gun | RRW5 | Ratchet Offset Wrench |
| CL9M | 9" Torpedo Level w/Magnetic | RRW516 | 5/16" Ratchet Wrench Insert |
| CND10S | 5/16" Nut Driver Stubby | RTC623 | Ratchet Tube Cutter - 1/4" - 7/8" |
| CND8LM | 1/4" Hex Driver Magnetic Long | RTC829 | Ratchet Tube Cutter - 5/16"-11" |
| CND8M | 1/4" Hex Driver Magnetic Standard | S2 | 3" Hand Seamer |
| CND8S | 1/4" Nut Driver Stubby | S3 | 3" Offset Hand Seamer |
| CPL9M | 9" Torpedo Level w/Magnetic | SH3V | 18 oz. Setting Hammer |
| CPMT10 | 10" Multi Track Pliers | SL1 | Snap Lock Punch |
| CPMT12 | 12" Multi Track Pliers | SL2 | Snap Lock Punch, Forge |
| CPMT8 | 8" Multi Track Pliers | STKM | HVAC Starter Kit |
| CPNE9 | 9" Pliers New England S | ST1200 | 1/8" - 1 3/16" Tube Cutter |
| CPS33C | #1 Phillips Screwdriver | ST1500 | 1/4" - 1 5/8" Tube Cutter |
| CPS44C | #2 Phillips Screwdriver | ST600 | 1/8" - 5/8" Tube Cutter |
| CR18 | Hand Riveter | ST900 | 1/8" - 1 1/8" Tube Cutter |
| CSS44C | 4" Straight Screwdriver | ST96 | Swaging Tool, 6 in 1 6 pk. |
| CSS56C | 6" Straight Screwdriver | T416M | 16' Tape - Magnetic Tip |
| DC 7G | 7" Diagonal Cutting Pliers | T425M | 25' Tape - Magnetic Tip |
| DE 3/16 | 3/16" Dbl End Drill Bit | T430M | 30' Tape - Magnetic Tip |
| DE18 | 1/8" Dbl End Drill Bit | TB1 | Soft Sided Tool Bag |
| DE30 | #30 Dbl End Drill Bit | TC174 | Big "IMP" Tube Cutter |
| DK4 | Wood Handled Duct Board Knife | TC274 | Heavy Duty Tube Cutter |
| DK6 | Cushion Grip Knife | TC400 | Tube Slicer / Cutter |
| DK6S | Cushion Grip Knife-Serr | TS1 | Turbo Shear |
| DS1 | Duct Stretcher | TS1RB | Turbo Shear Replacement |
| DS1C | Duct Stretcher Wheel | TSHD | Heavy Duty Turbo Shear |
| DS2 | Offset Duct Stretcher | TY4G | Panduit Gun |
| FST2 | Fin Straightening Tool | TY6 | Panduit Gun, Auto Shut |
| HC1 | Hole Cutter, to 12" | UBS5 | Straight Utility Blade |
| HC1B | Pivot Pin for HC1 & HC2 | W1-9 | 9 pc. Hex Key Set |
| HC2 | Lrg Hole Cutter, To 20" | WSC1S | Cutter Stripper w/Spring |
| HW7X1/2ZG | 7" X 1/2" Zip-In Bag/100 Screw | WSC8 | Cutter, Crimper, Stripper |
| LNC7G | 7 3/4" Long Nose Pliers | WT9SG | 8 pc. 9" T-Handle Hex Key |

Hanging Spring Isolators: Model RH

| Model | Size | Rated Load | Rated Defl. (inches) | Net Each |
|-------|------|------------|----------------------|----------|
| RH | 125A | 125 lb. | 0.04 | \$10.00 |

Specifications: Model RH

- › Hanger brackets are bright zinc plated
- › Rate loads are maximum continuous operating loads
- › Hanger brackets will carry (5) times overload without failure
- › Hanger brackets will allow 30° Rod Misalignment without short circuiting



Hanging Spring Isolators: Model SH

| Model | Size | Load | Defl | Outer Color | Free H.T. | O.D. | Net Each |
|-------|-------|------|------|-------------|-----------|------|----------|
| SH | 1-70 | 70 | 1.36 | Green | 3.19 | 1.75 | \$16.00 |
| SH | 1-125 | 125 | 1.23 | Gray | 3.19 | 1.75 | \$16.00 |
| SH | 1-245 | 245 | 1.19 | Brown | 3.19 | 1.75 | \$16.00 |
| SH | 1-370 | 370 | 0.96 | Orange | 3.19 | 1.75 | \$16.00 |
| SH | 1-500 | 500 | 1.00 | Beige | 3.19 | 1.75 | \$20.70 |

Specifications: Model SH & SRH

- › Spring elements and brackets are powder coated
- › Load plates are bright zinc plated
- › Isolated hangers have a typical overload of 50%
- › Isolated hangers have a minimum Kx/Ky ratio of 1.0
- › Spring elements are safe at solid loading
- › Hanger brackets will carry (5) times overload without failure
- › Hanger brackets will allow 30° Rod Misalignment without short circuiting



Hanging Spring Isolators: Model SRH

| Model | Size | Load | Defl | Outer Color | Free H.T. | O.D. | Net Each |
|-------|-------|------|------|-------------|-----------|------|----------|
| SRH | 1-70 | 70 | 1.55 | Green | 3.19 | 1.75 | \$20.00 |
| SRH | 1-125 | 125 | 1.56 | Gray | 3.19 | 1.75 | \$20.00 |
| SRH | 1-245 | 245 | 1.52 | Brown | 3.19 | 1.75 | \$20.00 |
| SRH | 1-370 | 370 | 1.29 | Orange | 3.19 | 1.75 | \$20.00 |
| SRH | 1-500 | 500 | 1.45 | Beige | 3.19 | 1.75 | \$24.00 |



** Isolation Pads - 2" x 2" x 3/4" - \$2.00 each **

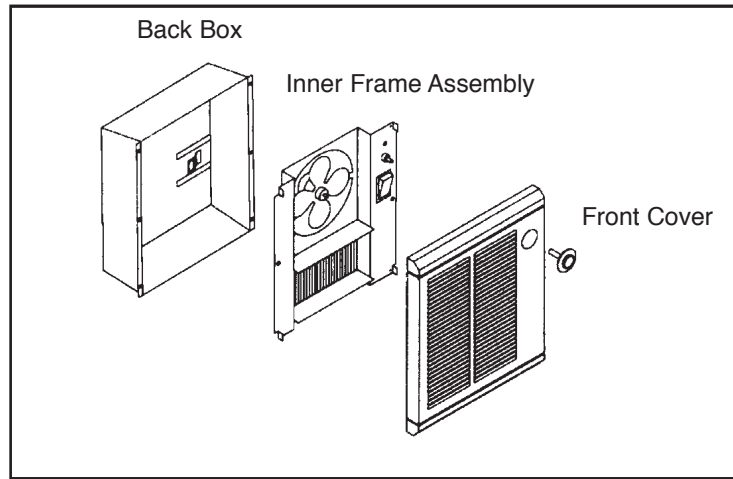
** Call your salesperson with HMI for sheet discount (81 pads per sheet) **

FRA & SRA SERIES SMALL ROOM FAN FORCED HEATERS

- BUILT-IN DISCONNECT SWITCH
- BUILT-IN THERMOSTAT
- AUTOMATIC FAN DELAY
- TAMPER PROOF FRONT COVER
- THREE PIECE CONSTRUCTION
- RECESSED OR SURFACE INSTALLATION
- DUAL RATING VOLTAGE
- NAVAJO WHITE BAKED ENAMEL FINISH



FILE # E21609



| Model | Volts | KW | BTU/HR | Amps | Net Each | 2" Wall Sleeve | Surface Mt. Box | Tamper Proof Cover |
|-----------|---------|-----------|-------------|-----------|----------|----------------|-----------------|--------------------|
| SRA1512DS | 115 | 1500 | 5119 | 12.5 | \$205.00 | \$31.00 | \$31.00 | \$20.00 |
| SRA2020DS | 208 | 2000/1000 | 6826 | 9.6 | \$205.00 | \$31.00 | \$31.00 | \$20.00 |
| SRA2024DS | 240/208 | 2000/1500 | 5119/6826 | 7.2/8.4 | \$205.00 | \$31.00 | \$31.00 | \$20.00 |
| FRA4024 | 240/208 | 4000/3000 | 10239/13652 | 14.5/16.7 | \$300.00 | \$48.00 | \$48.00 | \$37.00 |
| FRA4824 | 240/208 | 4800/3600 | 12287/16382 | 17.3/20.0 | \$348.00 | \$48.00 | \$48.00 | \$37.00 |
| SRA2027DS | 277/240 | 2000/1500 | 5119/6826 | 6.3/7.2 | \$205.00 | \$31.00 | \$31.00 | \$20.00 |
| FRA3027 | 277/240 | 3000/1500 | 5120/10239 | 35.4/10.8 | \$300.00 | \$48.00 | \$48.00 | \$37.00 |
| FRA4027 | 277/240 | 4000/3000 | 10239/13652 | 12.5/16.7 | \$300.00 | \$48.00 | \$48.00 | \$37.00 |

• All heaters are single phase.

Model FRA

Rough-In Box: 18¹/₄" x 14³/₈" x 3³/₄"D
Surface Mt. Box: 19³/₁₆" x 15²⁵/₃₂" x 1¹/₂"D

Model SRA

Rough-In Box: 11¹/₈" x 9⁵/₈" x 3¹/₄"D
Surface Mt. Box: 12¹/₂" x 10¹/₂"



- Berko Model HUHAA Unit Heater for horizontal or vertical mounting
- Universal Voltage, KW, and phases on selected models
- Auto control delays fan action until heating element is warm
- Automatic reset linear thermal capillary
- Aluminum-finned, copper-clad steel sheath heating elements

| Model | Volts | KW | Amps | PH | Standard Cont. Volt | HP | Net Each |
|-----------|---------|----------|-----------|-----|---------------------|-------|----------|
| HUHAA524 | 208/240 | 3.7/5.0 | 18.0/21.0 | 1-3 | 208/240 | 1/100 | \$384.00 |
| HUHAA724 | 208/240 | 5.6/7.5 | 27.0/31.3 | 1-3 | 24 | 1/30 | \$593.00 |
| HUHAA1024 | 208/240 | 7.5/10.0 | 36.0/42.0 | 1-3 | 24 | 1/30 | \$640.00 |
| HUHAA327 | 277 | 3 | 11 | 1 | 277 | 1/100 | \$395.00 |
| HUHAA527 | 277 | 5 | 18 | 1 | 277 | 1/100 | \$407.00 |
| HUHAA348 | 480 | 3 | 3.6 | 3 | 24 | 1/100 | \$497.00 |
| HUHAA548 | 480 | 5 | 6 | 3 | 24 | 1/100 | \$538.00 |
| HUHAA748 | 480 | 7.5 | 9 | 3 | 24 | 1/30 | \$678.00 |
| HUHAA1048 | 480 | 10 | 12 | 3 | 24 | 1/30 | \$717.00 |

- 24-volt controls units are supplied with low voltage control transformer and contactors except 3-5 KW and 277 & 208/240
- Single and three phase wiring on dual phase units are field interchangeable
- No disconnect

ACCESSORIES

| Model | For Use With | Description | Net Each |
|-------------------|--------------------|-------------------------|----------|
| HUHHAABB | 3.5, 7.5 & 10 | wall or ceiling bracket | \$47.00 |
| HVDMB5 | 3 & 5 | vertical bracket | \$52.00 |
| HVDMB20 | 7.5 & 10 | vertical bracket | \$74.00 |
| HUHAAMT1 | all except 5KW 3PH | field installed t'stat | \$68.00 |
| T8775A1009 | 24 volt units | low voltage t'stat | \$54.00 |
| M602W | 3 phase heaters | line voltage t'stat | \$29.00 |
| M601W | 1 phase heater | line voltage t'stat | \$21.00 |
| HUHAAMT2 | 5KW 3 phase | field installed t'stat | \$99.00 |
| HUHAADS25 | 277/460 | disconnect - 25 amps | \$109.00 |
| HUHAADS60 | 208/3 phase only | disconnect - 60 amps | \$158.00 |

Stand Alone Carbon Monoxide (co) Gas Detector

Description

- E3Point
- Wall Mount
- Analog
- 120 VAC/DC

Model # E3SASCO

\$581.00



*AIR FLOW MEASURING
INSTRUMENTS*

System Pressure Testing for Leaks

United Sheet Metal Leakage Test Kits

| Size | Net Each |
|---------------------------------|-----------|
| 100 CFM Test Kit (small) | \$1528.00 |
| 250 CFM Test Kit (large) | \$2010.00 |





*** DISCONTINUED WAREHOUSE ITEMS***

- ✧ FIRE RATED PLENUM SLOT DIFFUSER: NAILOR MODEL 5575 SUPPLY
WITH 3/4" SLOT WIDTH - 2' X 2SLOT W/8" INLET
2' X 2SLOT W/10" INLET
- ✧ DUAL DUCT TERMINAL UNIT: NAILOR MODEL P3230 (PNEUMATIC)
4"/10"/12" INLET SIZES
- ✧ SOFFIT VENTS: BROAN 430
- ✧ DIRECT DRIVE EXHAUST FANS: BREIDERT RED-12
- ✧ BATHROOM EXHAUST FANS: BRIEDERT MODEL FF500
- ✧ GRAVITY VENTILATOR: BRIEDERT MODEL RCXII-8" & 18" INLET
- ✧ VIBRATION ELIMINATOR ISOLATORS:
MODEL SNRC2-F25 (rate load-300lbs.)
MODEL SNRC2-6 (rate load-750lbs.)
MODEL SNRC2-7 (rate load-1125lbs.)
MODEL SNRC2-8 (rate load-1500lbs.)
- ✧ NAILOR:
MODEL RNSL 10" (20 x20 panel)
MODEL 4320CB-SM 8" (16 x16 panel)
MODEL 4320CB-SM 10" & 12" (20 x20 panel)
- ✧ ALUMINUM EGGCRATE CORE ONLY 48" x 24"

*** CONTACT HMI FOR PRICING AND AVAILABILITY***



Home Office & Warehouse

Charlotte, NC

4901 Dwight Evans Road (28217)
Suite 120
P.O. Box 31248
Charlotte, NC 28231
[704] 523-5000 *phone*
[704] 523-5171 *fax*
[704] 523-5344 *warehouse phone*
[800] 343-6782 *warehouse phone*
[704] 523-5880 *warehouse fax*

Regional Offices

Raleigh, NC

1001 Wade Ave.
Suite 200 (27605)
P.O. Box 10465
Raleigh, NC 27605
[919] 834-9230 *phone*
[919] 831-9714 *fax*

Asheville, NC

1796 Hendersonville Road
Suite S
Asheville, NC 28803
[828] 277-1544 *phone*
[828] 277-1564 *fax*

Charleston, SC

85A Paradise Point
Summerville, SC 29485
[843] 871-2493 *phone*
[843] 871-2510 *fax*

Columbia, SC

2330 Main Street
Columbia, SC 29201
[803] 978-2038 *phone*
[803] 978-2039 *fax*

Greensboro, NC

2915 Baltic Avenue
Greensboro, NC 27406
[336] 272-9198 *phone*
[336] 272-9299 *fax*

Greenville, SC

600 E. Washington Street
Suite 616
Greenville, SC 29601
[864] 233-8853 *phone*
[864] 232-3399 *fax*

Hickory, NC

1784 Union Grove Rd.
Lenoir, NC 28645
[828] 726-2412 *phone*
[828] 726-2415 *fax*

www.hahn-mason.com



HAHN-MASON
AIR SYSTEMS