



ASSEMBLY INSTRUCTIONS & PARTS MANUAL FOR 56" & 60" SPRAY PROOF CEILING FANS

MODELS 5610-1 AND 6010-1

56" & 60" AGRICULTURAL CEILING FANS

MODELS 5611-1 AND 6011-1

READ INSTRUCTIONS CAREFULLY BEFORE ATTEMPTING TO ASSEMBLE OR SERVICE THE LEADING EDGE CEILING FAN. FAILURE TO COMPLY WITH INSTRUCTIONS COULD RESULT IN PERSONAL INJURY AND/OR PROPERTY DAMAGE.

RETAIN FOR FUTURE REFERENCE.



Figure 1

Description

The Leading Edge agricultural ceiling fans are designed as a dual purpose product. By minimizing temperature stratification in winter, they can reduce heating costs by bringing trapped hot air to the floor. The summertime application provides a gentle downward movement of air for general air recirculation and evaporative cooling. A permanent split capacitor motor and permanently lubricated sealed ball bearings add to the efficiency and quietness of the fan.

Specifications

	56" FAN	60" FAN
Motor	120VAC/60Hz	120VAC/60Hz
Blade Size, Dia.	56"	60"
Square foot Coverage for Heat Stratification	3,025 sq. ft.	5,000 sq. ft.
CFM	25,500	41,000
RPM	265	280
AMPS	1.0	1.40
WATTS	110	160
Weight (LBS)	24	30

Unpacking

1. Remove fan components from carton carefully.
2. Check for shipping damage.
3. Check for any missing parts against parts list.

General Safety Information

WARNING: DISCONNECT POWER BEFORE INSTALLING OR SERVICING THIS EQUIPMENT.

1. Mount 56" fans so that fan blades are 7 feet or higher above the floor. Mount 60" fans so that blades are 10 feet or higher above the floor.

WARNING: DO NOT USE IN AN EXPLOSIVE ATMOSPHERE.

2. All electrical wiring should be done by a qualified electrician in accordance with applicable National Electrical Code and local electrical codes.
3. Make sure hanger hooks are mounted securely to structural ceiling members.
4. Do not allow moving blades to come in contact with any part of the body.
5. Make certain that the ground wire is connected to the ground terminal and to a suitable electrical ground.

NOTE: When mounted in cathedral ceilings, the blade tip should be at least 12 inches from the angled roof line to prevent air "blow-back" causing possible fan sway.

CAUTION: Read and follow instructions carefully. Failure to comply with instructions could result in the risk of fire, shock, and injury to persons.

WARNING: TO REDUCE THE RISK OF PERSONAL INJURY, DO NOT BEND THE BLADE BRACKETS WHEN INSTALLING THE BRACKETS OR CLEANING THE FAN. DO NOT INSERT FOREIGN OBJECTS IN BETWEEN ROTATING FAN BLADES.

Installation

RECOMMENDED MOUNTING HEIGHTS

This fan is pre-assembled with a one foot long down rod which is suitable for both heat reclamation in the winter and warm weather cooling in the summer.

WARNING: ALL CEILING FANS SHOULD BE INSTALLED BY QUALIFIED PERSONNEL.

CAUTION: 56" fan should not be mounted lower than 7 feet from the floor. 60" fans should not be mounted lower than 10 feet from floor.

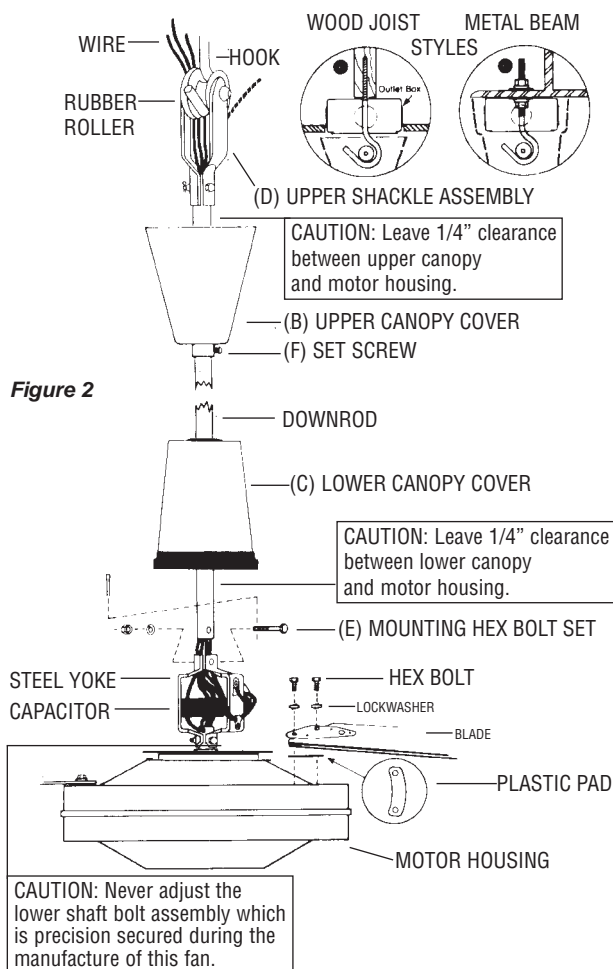
Assembly

This fan includes a “secondary support” safety cable feature that complies with existing C.S.A. (Canadian Standards Association) requirements and all other proposed safety regulations for overhead air movement equipment. To insure proper installation of this important safety feature, please read and follow these instructions carefully.

(Refer to Figure 2.)

1. Carefully lift out the motor with attached rod assembly from the protective styrofoam package and place assembled motor on a flat work surface. This fan is supplied pre-wired and pre-assembled except for the blades.
2. If inspection is desired, slide lower canopy (C) and neoprene rod seal (B) gently up the downrod (A). To place the lower canopy (C) back into the lower boot cover (D) gently force the canopy rim into the molded opening and push down 1/2” until secure fit is obtained.
3. Affix the three blades, curved side down to the motor with the isolation pad mounted between the blade and the fan. Make sure blade holder is flat against motor platform when you tighten blade nuts for secure fit.

NOTICE: The safety cable should be taped to one side of the yoke with electrical tape to prevent the cable from resting on top of motor during running operation.



CAUTION: Make sure that blades are attached as shown.

CAUTION: Do not allow the permanently installed lower canopy to touch the revolving motor as damage will occur. Make sure all wires are securely placed to avoid rubbing against the motor.

CAUTION: Blades must be fastened to the motor as shown in Figure 2. DO NOT reverse blades when installing.

NOTE: Blades are weight balanced per set. DO NOT mix on multiple fan installations.

NOTE: Do not bend fan blade brackets.

WARNING: DISCONNECT CIRCUIT POWER BEFORE MAKING ANY ELECTRICAL CONNECTIONS.

CAUTION: To reduce the risk of personal injury, install the primary mounting directly from building structure and use only the hardware provided with the fan.

4. Before attaching the appropriate “J” hook to the building structure member note the following:

IMPORTANT: WHEN MOUNTING THIS FAN THE SUPPORT BEAM MUST BE SUITABLE FOR A 50 POUND LOAD LIMIT

CAUTION: If pilot hole is used with the wood thread hook, the pilot hole should be drilled no larger than the minor diameter of the screw threads on the hook. Do not put a lubricant on the “J” hook. At least 1-1/2’ of the screw threads should be secured into the structural wood joist. When the threaded bolt hook is used, be careful to secure tightly with supplied lockwashers and nuts. Attach the hook as instructed and hang the fan.

5. This fan is equipped with the required “secondary support” cable. This cable must be affixed to the beam structure and securely clamped in such a manner to support the weight of the fan in the event the mounting hook or other parts fail. After wrapping cable around a structural member that will support 300 lbs., secure cable with supplied cable clamps as illustrated in Figure 3. (NOTE: Any additional materials needed for specific installations may be purchased from your local distributor.)

NOTICE: Leave approximately 3” but no more than 5” of slack on this safety cable to allow for possible fan movement. Do not exceed more than 5” total slack.

IMPORTANT CAUTION: The safety cable must not be placed between the rubber roller and hook, but rather as illustrated in Figure 4.

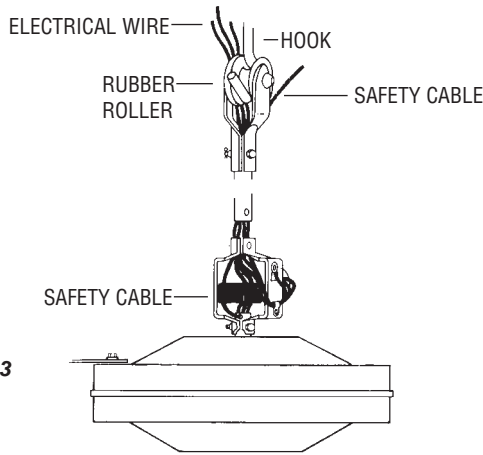


Figure 3

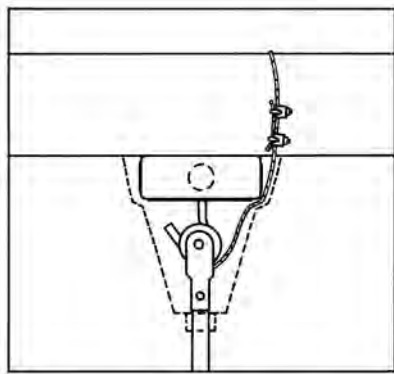
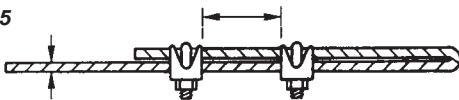


Figure 4

6. When hanging fan on factory supplied "J" hook, make sure cable at top of rod is positioned behind "J" hook as illustrated in Figure 4.

IMPORTANT NOTICE: It is important to note the proper installation position of the cable clamps as illustrated in Figure 5. To obtain maximum holding power, install u-bolt section of clip on dead or short end of cable and saddle on long end of cable. Improper installation reduces the efficiency of the connection by as much as 40 percent.

Figure 5



7. This fan is pre-wired with a cord with an equipment grounding conductor which must be used with a grounded receptacle. The flexible cord is attached permanently to the fan.

CAUTION: Do not use an extension cord with this fan. Use #12 wire from power source to receptacle. Making sure the power is off, hang the fan and plug into power outlet.

NOTE: Hook should engage rubber roller only (G) and not the cord (H).

8. Slide the upper canopy (B) up the rod within 1/4" of the ceiling or beam and securely tighten the set screw (F).

9. If a remote speed control is to be used refer to the installation included with that control for proper installation and wiring.

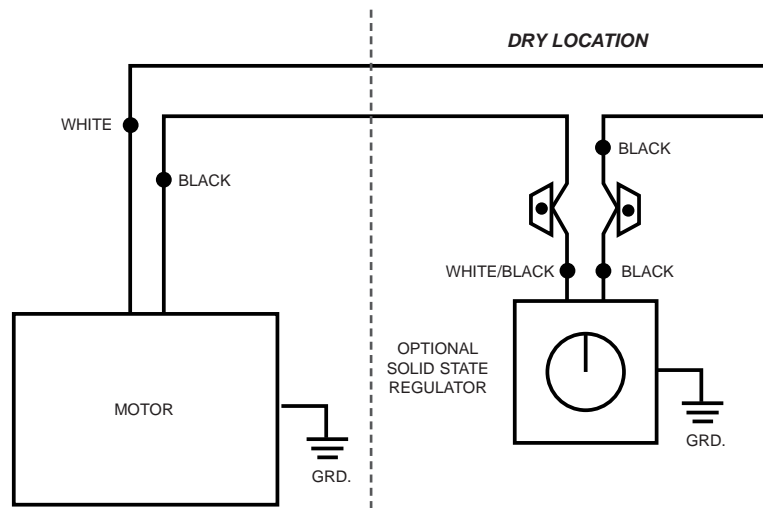


Figure 6

10. Restore power.

11. After completing installation, test run fan in normal operating manner. Inspect for any possible shake or wobble which may be caused by binding as a result of "tight cable". If this should happen, shut off power supply and re-check instructions to correct problem.

NOTE: When any solid state motor speed control is used, a humming noise will be present in the fan on low speed. This hum in no way affects the operation of the fan and is acceptable in most industrial installations.

Maintenance

WARNING: TO REDUCE THE RISK OF INJURY DISCONNECT THE POWER SUPPLY BEFORE SERVICING. UNPLUG FAN WHEN CLEANING OR SERVICING.

CLEANING

In industrial applications where a moderate amount of dirt has accumulated, wipe fan off with a damp cloth. In agricultural applications, a pressure washer may be used to clean away heavier dirt accumulation. Never use flammable solvents.

LUBRICATION

Ball bearings are permanently lubricated and require no further lubrication.

CAUTION: Before servicing or cleaning unit, switch power off at service panel and lock service disconnecting means to prevent power from being switched on accidentally. When the service disconnecting means cannot be locked, securely fasten a prominent warning device, such as a tag, to the service panel.

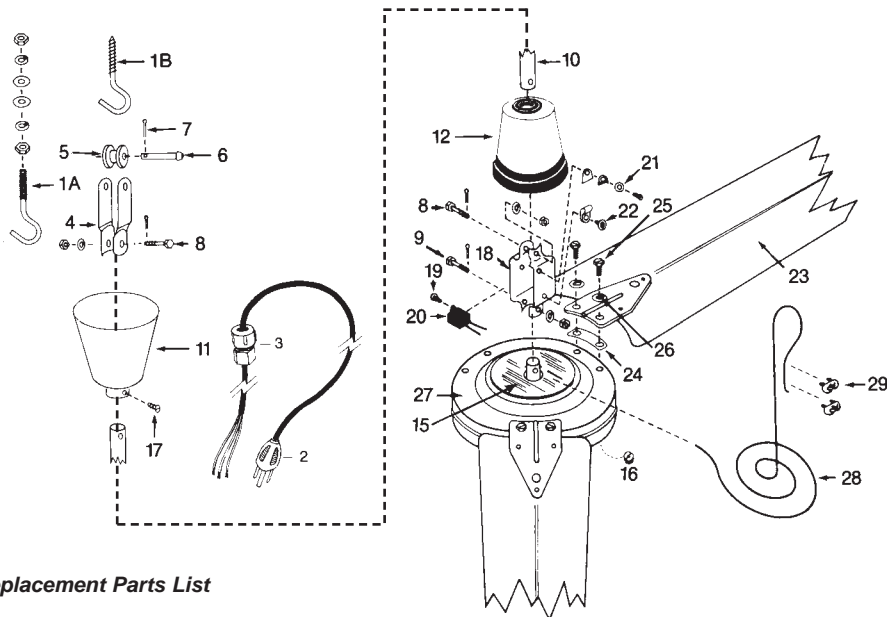


Figure 7 - Replacement Parts List

Replacement Parts For 56" & 60" Spray Proof 5610-1, 6010-1 and Agricultural 5611-1, 6011-1

REF. NO.	DESCRIPTION	PART NO.	QTY
1	"J" hook mounting bolt assembly	2100069A	1
1A	Wood screw hook	2100070A	1
2	Cord 38" with 3 prong plug	3100031A	1
3	Cord grip connector	3100032A	1
4	Upper shackle	3100033A	1
5	Rubber roller	2100072A	1
6	Clevis pin	2100073A	1
7	3/32 x 3/4" Cotter pin	*	1
8	1/4 x 1 1/2" Hex bolt assembly	*	2
9	1/4 x 1 1/8" Hex bolt assembly	*	1
10	12" Downrod pipe	2100102A	1
11	Upper canopy, bell shaped	3100039A	1
12	Lower canopy	2100076A	1
13	Lower canopy rod seal	3100042A	1
14	▲ Lower canopy cowling shield	3100044A	1
15	▲ Metal disc	3100044A	2

REF. NO.	DESCRIPTION	PART NO.	QTY
16	Condensation drain plug	3100045A	QTY
17	10-24 x 3/8" Canopy set screw	*	
18	▲ Steel yoke	2100078A	1
19	▲ Capacitor screw	2100080A	1
20	▲ Capacitor (5610-1,5611-1,6010-1, 6011-1)	2100141A	1
21	▲ Grounding screw assembly	2100082A	1
22	▲ Plastic cable clamp assembly	2100083A	1
23	† 56" Blade (5610-1, 5611-1)	3200098A	1
	† 60" Blade (6010-1, 6011-1)	4100052A	1
24	Blade pad	2100085A	3
25	1/4" x 3/4" Blade screws	2100086A	3
26	1/4" Blade lockwashers	*	3
27	▲ 56" Motor assembly (5610-1, 5611-1)	2100130A	6
	▲ 60" Motor assembly (6010-1, 6011-1)	2100131A	6
28	▲ Safety cable assembly	2100088A	6
			1
29	▲ Cable clamps	2100089A	1
			1

(▲) Included in motor assembly.

(*) Standard hardware item, available locally.

(†) Replacement set of 3 only, white in color.

LIMITED WARRANTY

All products manufactured by Marley Engineered Products are warranted against defects in workmanship and materials for one year from date of installation, except the motor which is warranted against defects in workmanship and materials for three years from date of installation. This warranty does not apply to damage from accident, misuse, or alteration; nor where the connected voltage is more than 5% above the nameplate voltage; nor to equipment improperly installed or wired or maintained in violation of the product's installation instructions. All claims for warranty work must be accompanied by proof of the date of installation.

The customer shall be responsible for all costs incurred in the removal or reinstallation of products, including labor costs, and shipping costs incurred to return products to Marley Engineered Products Service Center. Within the limitations of this warranty, inoperative units should be returned to the nearest Marley authorized service center or the Marley Engineered Products Service Center, and we will repair or replace, at our option, at no charge to you with return freight paid by Marley. It is agreed that such repair or replacement is the exclusive remedy available from Marley Engineered Products.

THE ABOVE WARRANTIES ARE IN LIEU OF ALL OTHER WARRANTIES EXPRESSED OR IMPLIED, AND ALL IMPLIED WARRANTIES OF MERCHANTABILITY AND FITNESS FOR A PARTICULAR PURPOSE WHICH EXCEED THE AFORESAID EXPRESSED WARRANTIES ARE HEREBY DISCLAIMED AND EXCLUDED FROM THIS AGREEMENT. MARLEY ENGINEERED PRODUCTS SHALL NOT BE LIABLE FOR CONSEQUENTIAL DAMAGES ARISING WITH RESPECT TO THE PRODUCT, WHETHER BASED UPON NEGLIGENCE, TORT, STRICT LIABILITY, OR CONTRACT.

Some states do not allow the exclusion or limitation of incidental or consequential damages, so the above exclusion or limitation may not apply to you. This warranty gives you specific legal rights, and you may also have other rights which vary from state to state.

For the address of your nearest authorized service center, contact Marley Engineered Products in Bennettsville, SC, at 1-800-642-4328. Merchandise returned to the factory must be accompanied by a return authorization and service identification tag, both available from Marley Engineered Products. When requesting return authorization, include all catalog numbers shown on the products.

HOW TO OBTAIN WARRANTY SERVICE AND WARRANTY PARTS PLUS GENERAL INFORMATION

- 1. Warranty Service or Parts **1-800-642-4328**
- 2. Purchase Replacement Parts **1-800-654-3545**
- 3. General Product Information **www.marlymep.com**

Note: When obtaining service always have the following:

- 1. Model number of the product
- 2. Date of manufacture
- 3. Part number or description

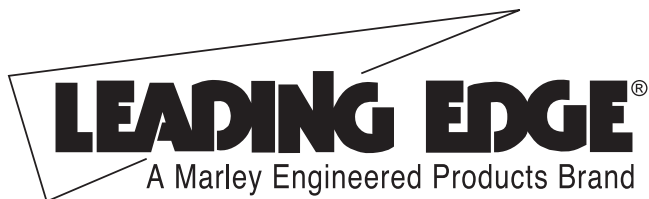
ECR 36666

10/05



Marley
Engineered Products

470 Beauty Spot Rd. East
Bennettsville, SC 29512 USA



**INSTRUCCIONES DE ENSAMBLAJE Y MANUAL DE PIEZAS PARA
VENTILADORES DE TECHO A PRUEBA DE ROCIADO, DE 56" y 60"
MODELOS 5610-1 y 6010-1
VENTILADORES DE TECHO AGRÍCOLAS, DE 56" y 60"
MODELOS 5611-1 y 6011-1**

LEA CUIDADOSAMENTE LAS INSTRUCCIONES ANTES DE INTENTAR ENSAMBLAR O SUMINISTRAR SERVICIO DE MANTENIMIENTO AL VENTILADOR DE TECHO LEADING EDGE. NO CUMPLIR LAS INSTRUCCIONES PODRÍA RESULTAR EN LESIONES PERSONALES Y/O DAÑO A LA PROPIEDAD.

GUARDE PARA FUTURA CONSULTA.



Figura 1

Descripción

Los ventiladores de techo agrícolas Leading Edge están diseñados como producto de doble propósito. Minimizando la estratificación de temperaturas durante el invierno, éstos pueden reducir los costos de calentamiento trayendo hacia el suelo el aire caliente atrapado. La aplicación durante el verano proporciona un suave movimiento hacia abajo del aire para la recirculación general del aire y el enfriamiento evaporativo. Un motor de campo dividido con condensador y rodamientos de bolas sellados de lubricación permanente aumentan la eficiencia y lo silencioso del ventilador.

Especificaciones

	VENTILADOR DE 56"	VENTILADOR DE 60"
Motor	120VAC/60Hz	120VAC/60Hz
Tamaño de aspa, Diám.	56"	60"
Pies ²		
Cobertura para estratificación de calor	3.025 pies ²	5,000 pies ²
Pie ³ /min	25.500	41.000
RPM	265	280
AMPS	1.0	1.40
WATTS	110	160
Peso (lbs)	24	30

Desempaque

1. Retire cuidadosamente los componentes del ventilador fuera de la caja de cartón.
2. Revise en cuanto a daños por transporte.
3. Revise en cuanto a piezas faltantes con respecto a la lista de piezas.

Información general sobre seguridad

ADVERTENCIA: DESCONECTE LA ENERGÍA ELÉCTRICA ANTES DE INSTALAR O SUMINISTRAR SERVICIO DE MANTENIMIENTO A ESTE EQUIPO.

1. Monte los ventiladores de 56" de modo que las aspas del ventilador queden a una altura de 2,13 m (7 pies) o más del suelo. Monte los ventiladores de 60" de modo que las aspas queden a una altura de 3,05 m (10 pies) o más del suelo.

ADVERTENCIA: NO UTILICE EN ATMÓSFERAS EXPLOSIVAS.

2. Todo el cableado eléctrico debe ser realizado por un electricista capacitado, de acuerdo con el Código Eléctrico Nacional y los códigos eléctricos locales.
3. Verifique que los ganchos de colgado están montados de manera segura a los miembros estructurales del cielo raso o techo.
4. No permita que las aspas en movimiento hagan contacto con ninguna parte del cuerpo.
5. Verifique que el cable de tierra está conectado al terminal de tierra y a una tierra eléctrica apropiada.

NOTE: When mounted in cathedral ceilings, the blade tip should be at least 12 inches from the angled roof line to prevent air "blow-back" causing possible fan sway.

NOTA: Cuando se monta en cielos rasos tipo catedral, la punta del aspa debe quedar a una distancia mínima de 0,30 m (12 pulg.) de la línea inclinada de techo para evitar "soplo de retorno" del aire que cause posible oscilación del ventilador.

ADVERTENCIA: PARA REDUCIR EL RIESGO DE LESIONES PERSONALES, NO DOBLE LOS SOPORTES DE ASPA AL INSTALAR LOS SOPORTES O AL LIMPIAR EL VENTILADOR. NO INSERTE OBJETOS EXTRAÑOS ENTRE LAS ASPAS EN MOVIMIENTO DEL VENTILADOR.

Instalación

ALTURAS DE MONTAJE RECOMENDADAS

Este ventilador está pre-ensamblado con una barra de colgado de 1 pie de longitud la cual es apropiada para la recuperación de calor durante el invierno y enfriamiento durante el verano.

ADVERTENCIA: TODOS LOS VENTILADORES DE TECHO DEBEN SER INSTALADOS POR PERSONAL CALIFICADO.

PRECAUCIÓN: El ventilador de 56" no debe montarse a una altura inferior de 2,13 m (7 pies) del suelo. Los ventiladores de 60" no deben montarse a una altura inferior de 3,05 m (10 pies) del suelo.

Ensamblaje

Este ventilador incluye una característica de cable de seguridad de "soporte secundario" que cumple con los requerimientos existentes de la Asociación Canadiense de Normas (C.S.A.) y todas las demás regulaciones de seguridad para los equipos de movimiento de aire en posición elevada. Para garantizar la instalación apropiada de esta importante característica de seguridad, por favor lea y siga cuidadosamente estas instrucciones.

(Consulte la figura 2.)

1. Levante cuidadosamente el motor con el conjunto de barra sujeta del paquete con espuma protectora y coloque el motor ensamblado sobre una superficie de trabajo plana. Este ventilador se suministra pre-cableado y pre-ensamblado, excepto las aspas.
2. Si se desea inspección, deslice la cubierta inferior (C) y el sello de neopreno (B) de barra suavemente hacia arriba por la barra de colgado (A). Para colocar la cubierta inferior (C) nuevamente dentro de la cubierta tipo funda inferior (D), force suavemente el borde de la cubierta inferior dentro de la abertura moldeada y presione hacia abajo 1/2 pulg. hasta obtener acople seguro.
3. Sujete las tres aspas, el lado curvo hacia abajo hacia el motor, con la almohadilla de aislamiento montada entre el aspa y el ventilador. Verifique que el soporte de aspa está en posición horizontal con respecto a la plataforma del motor en el momento de apretar las tuercas del aspa para acople seguro.

AVISO: El cable de seguridad debe sujetarse con cinta adhesiva a un lado de la garra de fijación mediante cinta eléctrica para evitar que el cable se apoye sobre la parte superior del motor durante la operación de marcha.

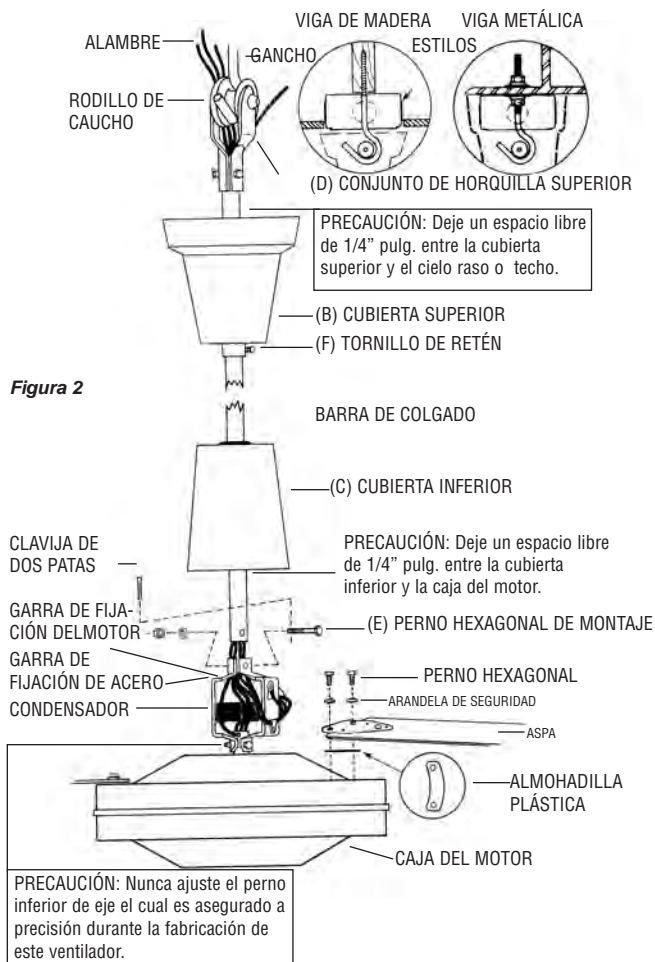


Figura 2

PRECAUCIÓN: Verifique que las aspas están sujetadas según se muestra.

PRECAUCIÓN: No permita que la cubierta inferior instalada permanentemente haga contacto con el motor girando ya que se producirán daños. Verifique que todos los cables eléctricos están colocados de manera segura para evitar rozamiento contra el motor.

PRECAUCIÓN: Las aspas deben sujetarse al motor según se muestra en la Figura 2. NO invierta las aspas durante la instalación.

NOTA: Las aspas están balanceadas en peso por cada conjunto. NO haga mezclas en instalaciones múltiples de ventiladores.

NOTA: No doble los soportes de aspa del ventilador.

ADVERTENCIA: DESCONECTE LA ENERGÍA ELÉCTRICA DEL CIRCUITO ANTES DE REALIZAR CUALQUIER CONEXIÓN ELÉCTRICA.

PRECAUCIÓN: Para reducir el riesgo de lesiones personales, instale el soporte principal directamente desde la estructura del edificio y utilice únicamente los herrajes suministrados con el ventilador.

4. Antes de sujetar el gancho en "J" apropiado al miembro estructural del edificio, observe lo siguiente:

IMPORTANTE: AL MONTAR ESTE VENTILADOR, LA VIGA DE SOPORTE DEBE SER APROPIADA PARA UN LÍMITE DE CARGA DE 50 LIBRAS.

PRECAUCIÓN: Si se utiliza orificio piloto con el gancho rosca para madera, el orificio piloto debe perforarse a un tamaño no superior al diámetro menor de las roscas de tornillo del gancho. No aplique lubricante al gancho en "J". Al menos 1-1/2 pulg. de la rosca de tornillo debe asegurarse dentro de la viga de madera estructural. Cuando se utiliza el gancho de viga de madera estructural, tenga cuidado de asegurar apretadamente con las arandelas de seguridad y tuercas suministradas. Sujete el gancho según las instrucciones y cuelgue el ventilador.

5. Este ventilador está equipado con el cable de "soporte secundario" requerido. Este cable de seguridad debe sujetarse a la estructura de vigas y sujetarse de manera segura de tal manera que soporte el peso del ventilador en caso que falle el gancho de montaje u otras piezas. Después de enrollar el cable de seguridad alrededor de un miembro estructural que soportará 300 lbs., asegure el cable con los sujetadores de cable suministrados según se ilustra en la Figura 3. (NOTA: Cualquier material adicional necesario para instalaciones específicas puede comprarse a su distribuidor local).

AVISO: Deje aproximadamente 3 pulg. pero no más de 5 pulg. de flojedad en este cable de seguridad para permitir posible movimiento del ventilador. No exceda más de 5 pulg. de flojedad total.

PRECAUCIÓN IMPORTANTE: El cable de seguridad no debe colocarse entre el rodillo de caucho y el gancho, sino como se ilustra en la Figura 4.

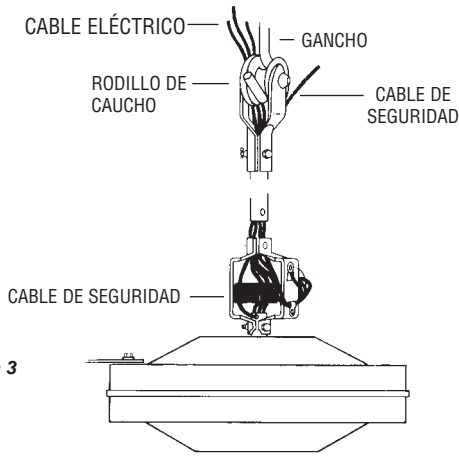


Figura 3

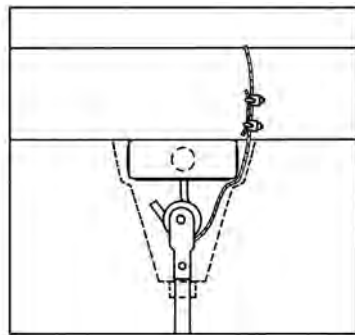


Figura 4

6. Cuando se cuelga el ventilador mediante el gancho en "J" suministrado por fábrica, verifique que el cable de seguridad en la parte superior de la barra está posicionado detrás del gancho en "J" según se ilustra en la Figura 4.

AVISO IMPORTANTE: Es importante observar la posición de instalación apropiada de los sujetadores del cable de seguridad según se ilustra en la Figura 5. Para obtener la máxima fuerza de sostenimiento, instale la sección de perno en "U" del sujetador sobre el extremo corto del cable de seguridad y sujete en el extremo largo del cable. La instalación inapropiada reduce la eficiencia de la conexión en hasta el 40%.

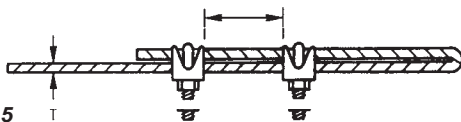


Figura 5

7. Este ventilador está pre-cableado con cable eléctrico con un conductor de conexión a tierra de equipo que debe utilizarse con un receptáculo conectado a tierra. El cable eléctrico flexible está sujetado de manera permanente al ventilador.

PRECAUCIÓN: No utilice un cable eléctrico de extensión con este ventilador. Utilice cable #12 desde la fuente de energía hasta el receptáculo. Verifique que la energía está desactivada, cuelgue el ventilador y enchufe en el tomacorriente.

NOTA: El gancho debe enganchar el rodillo de caucho (G) únicamente y no debe enganchar el cable eléctrico (H).

8. Deslice la cubierta superior (B) hacia arriba por la barra hasta dentro de 2 pulg. de distancia del techo o viga, y apriete firmemente el tornillo de fijación (F).
9. Si debe utilizarse un control remoto de velocidad, consulte la información de instalación incluida con ese control para obtener las instrucciones de instalación y cableado apropiados.

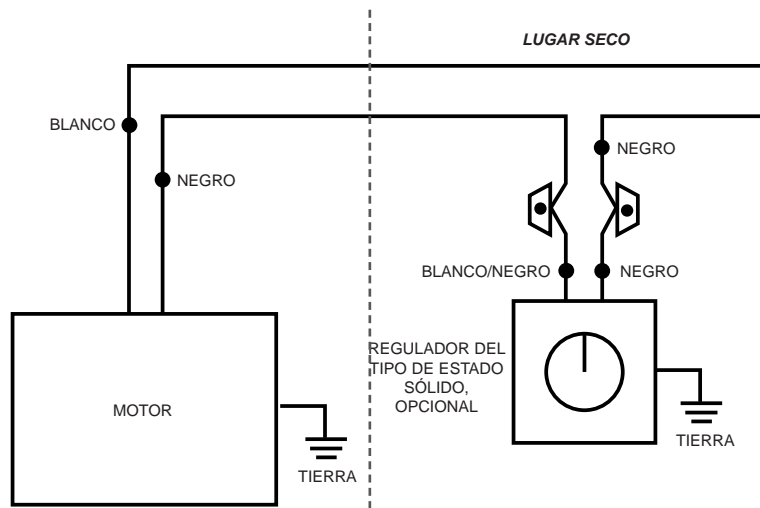


Figura 6

10. Restaure la energía.
11. Después de terminar la instalación, pruebe la operación del ventilador en el modo de operación normal. Inspeccione en busca de cualquier posible vibración o balanceo que pudiera ser causado por atascamiento como resultado de un "cable tirante". Si esto sucede, desconecte la fuente de energía y estudie nuevamente las instrucciones para corregir el problema.

NOTA: Cuando se utiliza cualquier control de velocidad de motor del tipo de estado sólido, habrá un ruido de zumbido en el ventilador a baja velocidad. Este zumbido no afecta de ninguna manera la operación del ventilador y es aceptable en la mayoría de las instalaciones industriales.

Mantenimiento

ADVERTENCIA: PARA REDUCIR EL RIESGO DE LESIONES, DESCONECTE LA FUENTE DE ENERGÍA ANTES DE SUMINISTRAR SERVICIO DE MANTENIMIENTO O REPARACIÓN. DESENCHUFE EL VENTILADOR AL REALIZAR LIMPIEZA O SERVICIO DE MANTENIMIENTO O REPARACIÓN.

LIMPIEZA

En aplicaciones industriales donde se haya acumulado una cantidad moderada de suciedad, limpie frotando el ventilador con un trapo húmedo. En aplicaciones agrícolas, puede utilizarse una máquina lavadora a presión para limpiar la acumulación de suciedad más pesada. Nunca utilice solventes inflamables.

LUBRICACIÓN

Los rodamientos de bolas están lubricados de manera permanente y no requieren lubricación adicional.

PRECAUCIÓN: Antes de suministrar servicio de mantenimiento o antes de limpiar la unidad, coloque en posición "off" el interruptor de energía ubicado en el panel de servicio e inmovilice los medios de desconexión del servicio para evitar que la energía sea activada involuntariamente. Cuando los medios de desconexión del servicio no puedan ser inmovilizados, sujete de manera segura al panel de servicio un elemento de advertencia visible, tal como un letrero.

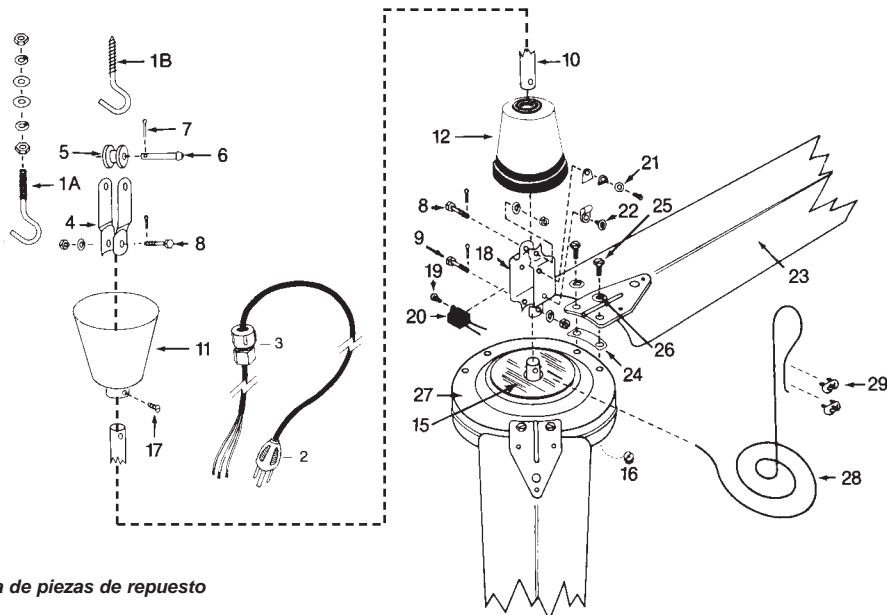


Figura 7 - Lista de piezas de repuesto

Piezas de repuesto para 56" y 60", a Prueba de Rociado 5610-1, 6010-1; y Agrícola 5611-1, 6011-1

REF. NO.	DESCRIPCIÓN	PIEZA NO.	CANT.
1	Perno de montaje tipo gancho en "J"	2100069A	1
1A	Gancho tipo tornillo para madera	2100070A	1
2	Cable eléctrico de 38 pulg. con enchufe de 3 patas	3100031A	1
3	Conector de sujeción de cable eléctrico	3100032A	1
4	Horquilla superior	3100033A	1
5	Rodillo de caucho	2100072A	1
6	Pasador de horquilla	2100073A	1
7	Clavija de dos patas, 3/32 x 3/4"	*	1
8	Perno hexagonal, 1/4 x 1 1/2"	*	2
9	Perno hexagonal, 1/4 x 1 1/8"	*	1
10	Barra de colgado de 12 pulg.	2100102A	1
11	Cubierta superior, en forma de campana	3100039A	1
12	Cubierta inferior	2100076A	1
13	Sello de barra de cubierta inferior	3100042A	1
14	▲ Protector tipo capucha de cubierta inferior	3100044A	1
15	▲ Disco metálico	3100044A	2

REF. NO.	DESCRIPCIÓN	PIEZA NO.	CANT.
16	Tapón de drenaje de condensación	3100045A	1
17	Tornillo de fijación de cubierta, 10-24 x 3/8"	*	1
18	▲ Garra de fijación de acero	2100078A	1
19	▲ Tornillo del condensador eléctrico	2100080A	1
20	▲ Condensador eléctrico (5610-1, 5611-1, 6010-1, 6011-1)	2100141A	1
21	▲ Tornillo de conexión a tierra	2100082A	1
22	▲ Sujetador plástico de cable	2100083A	1
23	† Aspa de 56" (5610-1, 5611-1)	3200098A	3
	† Aspa de 60" (6010-1, 6011-1)	4100052A	3
24	Almohadilla de aspa	2100085A	3
25	Tornillos de aspa, 1/4" x 3/4"	2100086A	6
26	Arandelas de seguridad de aspa, 1/4"	*	6
27	▲ Conjunto de motor, 56", (5610-1, 5611-1)	2100130A	1
	▲ Conjunto de motor, 60", (6010-1, 6011-1)	2100131A	1
28	▲ Cable de seguridad	2100088A	1
29	▲ Sujetadores de cable	2100089A	1

(▲) Incluido en el conjunto de motor.

(*) Elemento de herraje estándar, disponible localmente.

(†) Conjunto de 3 repuestos únicamente, color blanco.

GARANTÍA LIMITADA

Todos los productos fabricados por Marley Engineered Products están garantizados contra defectos en manufactura y materiales durante un (1) año a partir de la fecha instalación, excepto el motor los cuales está garantizado contra defectos en manufactura y materiales durante tres años a partir de la fecha de instalación. Esta garantía no aplica a daño por accidente, uso incorrecto, o alteración; ni donde el voltaje conectado sea superior en 5% al voltaje indicado en la placa de datos; ni se aplica a equipo instalado o cableado o mantenido de manera inapropiada en violación de las instrucciones de instalación de los productos. Todas las reclamaciones de trabajos de garantía deben incluir un documento que compruebe la fecha de instalación.

El cliente será responsable de todos los costos incurridos en la remoción o reinstalación de productos, incluyendo los costos de mano de obra, y los costos de envío incurridos para devolver los productos a un Centro de Servicio de Marley Engineered Products, y nosotros repararemos o reemplazaremos, según nuestra elección, sin costo para usted con el costo de envío de regreso pagado por Marley. Se acuerda que dicha reparación o reemplazo es el remedio exclusivo disponible de parte de Marley Engineered Products.

LAS ANTERIORES GARANTÍAS REEMPLAZAN CUALQUIER OTRA GARANTÍA EXPRESA O IMPLÍCITA, Y TODAS LAS GARANTÍAS IMPLÍCITAS DE MERCADEABILIDAD Y ADECUADIBILIDAD PARA UN PROPÓSITO EN PARTICULAR QUE EXCEDEN LAS GARANTÍAS EXPRESAS MENCIONADAS SON DENEGADAS MEDIANTE ESTE DOCUMENTO Y EXCLUIDAS DE ESTE ACUERDO. MARLEY ENGINEERED PRODUCTS NO SERÁ RESPONSABLE POR DAÑOS CONSECUENCIALES QUE SURJAN CON RESPECTO AL PRODUCTO, ESTÉN O NO BASADOS EN NEGLIGENCIA, INFRACCIÓN, RESPONSABILIDAD ESTRICTA, O CONTRATO.

Algunos estados no permiten la exclusión en la limitación de los daños incidentales o consecuenciales, de manera que la anterior exclusión o limitación podría no aplicarse a usted. Esta garantía le proporciona a usted derechos legales específicos, y también podría tener otros derechos que varían de estado a estado.

Para obtener la dirección de su centro de servicio autorizado más cercano, comuníquese con Marley Engineered Products, Bennettsville, SC 29512 USA. Tel. 1-800-642-4328. La mercancía devuelta a la fábrica debe incluir una autorización de devolución y la etiqueta de identificación de servicio, las cuales pueden conseguirse en la anterior dirección. Al solicitar la autorización de devolución, incluya todos los números de catálogo mostrados en los productos.

CÓMO OBTENER EL SERVICIO DE GARANTÍA Y LAS PIEZAS DE GARANTÍA, Y ADEMÁS, INFORMACIÓN GENERAL

- Servicio o Piezas de Garantía **1-800-642-4328**
- Compra de Piezas de Repuesto **1-800-654-3545**
- Información General de Productos www.marleymep.com

Nota: Al solicitar servicio, siempre tenga a mano lo siguiente:

- Número de modelo del producto
- Fecha de fabricación
- Número o descripción de la pieza

ECR 36666

10/05

4



Marley
Engineered Products

470 Beauty Spot Rd. East
Bennettsville, SC 29512 USA

Pieza No. 5200-2400-001



MANUEL D'INSTRUCTIONS DE MONTAGE AVEC LISTE DE PIÈCES POUR VENTILATEURS DE PLAFOND 56" ET 60" ÉTANCHES AUX PROJECTIONS

MODÈLES 5610-1 ET 6010-1

VENTILATEURS DE PLAFOND 56" ET 60" POUR AGRICULTURE

MODÈLES 5611-1 ET 6011-1

LISEZ SOIGNEUSEMENT CES INSTRUCTIONS AVANT D'ESSAYER D'ASSEMBLER OU D'INTERVENIR SUR CE VENTILATEUR DE PLAFOND LEADING EDGE. NE PAS TENIR COMPTE DES INSTRUCTIONS PEUT ENTRAÎNER DES BLESSURES CORPORELLES ET/OU DES DÉGÂTS MATÉRIELS.

À CONSERVER COMME RÉFÉRENCE FUTURE.



Figure 1

Description

Les ventilateurs de plafond d'agriculture Leading Edge sont conçus comme un produit à double finalité. En minimisant en hiver la stratification des températures, ils peuvent réduire les coûts de chauffage en ramenant l'air chaud emprisonné vers le sol. L'application en été fournit un doux mouvement descendant de l'air pour un brassage général et un refroidissement par évaporation. Un moteur à condensateur auxiliaire de démarrage permanent et des roulements à bille à lubrification constante aident à l'efficacité et à la discrétion de la ventilation.

Spécifications

	VENTILATEUR : 56"	VENTILATEUR : 60"
Moteur	120VAC/60Hz	120VAC/60Hz
Diamètre des pales	142,2 cm	152,4 cm
Couverture pour la stratification de chaleur	281 m ²	465 m ²
Mètres ³ /min	722	1 161
TOURS/MIN.	265	280
AMPÈRES	1,0	1,40
WATTS	110	160
Poids (kilogrammes)	10,9	13,6

Déballage

- Sortez avec précautions les composants du ventilateur du carton.
- Cherchez d'éventuels dommages.
- Contrôlez avec la liste de pièces qu'il n'en manque pas.

Informations générales pour la sécurité

AVERTISSEMENT : DÉBRANCHEZ L'ALIMENTATION AVANT INSTALLATION OU INTERVENTION SUR CET ÉQUIPEMENT.

- Montez les ventilateurs de 56" de sorte que leurs pales soient à au moins 2,15 m au-dessus du sol. Montez les ventilateurs de 60" de sorte que leurs pales soient à au moins 3,05 m au-dessus du sol.

AVERTISSEMENT : N'UTILISEZ PAS CE VENTILATEUR EN ATMOSPHÈRE EXPLOSIVE.

- Tout le câblage électrique doit être effectué par un électricien qualifié en conformité avec les normes électriques nationales et locales.
- Assurez-vous que les crochets de suspension sont bien fixés sur les éléments d'ossature du plafond.
- Évitez que les pales en mouvement n'entrent en contact avec une partie quelconque du corps.
- Assurez-vous que le fil de terre est bien relié à la borne de terre, et à une terre électrique convenable.

REMARQUE : Pour un montage sur plafond cathédrale, la pointe de pale doit être à au moins 30 cm de la rupture de ligne de toiture, pour empêcher le recul d'écoulement de l'air qui pourrait faire osciller le ventilateur.

ATTENTION : Lisez attentivement les instructions et appliquez-les. Sinon vous risquez incendie, électrocution ou blessures corporelles.

AVERTISSEMENT : POUR RÉDUIRE LE RISQUE DE BLESSURES CORPORELLES, NE COURBEZ PAS LES SUPPORTS DE PALES QUAND VOUS LES INSTALLEZ OU QUAND VOUS NETTOYEZ LE VENTILATEUR. N'INSÉREZ PAS D'OBJETS ÉTRANGERS DANS L'ESPACE DES PALES DE VENTILATEUR EN ROTATION.

Installation

HAUTEURS DE MONTAGE RECOMMANDÉES

Ce ventilateur est assemblé à l'avance avec une tige de suspension de 30 cm qui convient à la fois pour une bonne récupération de chaleur en hiver et un rafraîchissement de l'ambiance chaude en été.

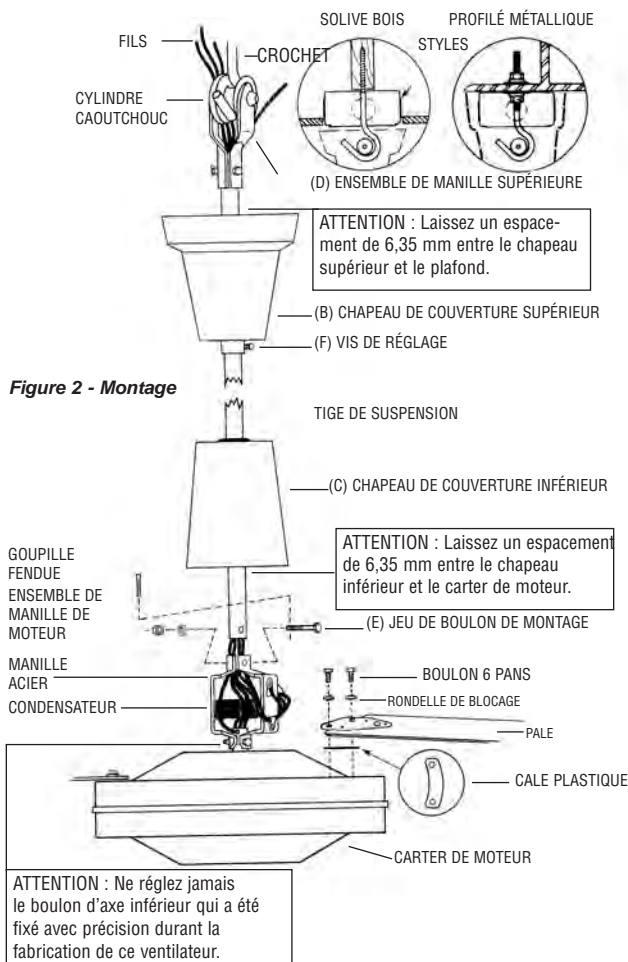
AVERTISSEMENT : TOUS LES VENTILATEURS DE PLAFOND DOIVENT ÊTRE INSTALLÉS PAR DU PERSONNEL QUALIFIÉ. **ATTENTION :** Le ventilateur de 56" ne doit pas être monté à moins de 2,15 m au-dessus du plancher (3,05 m pour les ventilateurs de 60").

Montage

Ce ventilateur comporte un câble de sécurité pour un soutien de secours qui répond aux exigences en vigueur de la CSA (Association canadienne de normalisation) et à toutes les réglementations de sécurité proposées par ailleurs pour les équipements de brassage d'air suspendus. Pour assurer un montage correct de cet important dispositif de sécurité, veuillez lire attentivement ces instructions et les appliquer scrupuleusement (*référez-vous à la Figure 2*).

1. Soulevez avec précautions le moteur avec l'ensemble de tige fixé pour le sortir de son emballage polystyrène de protection, et placez-le sur une surface de travail plane. Ce ventilateur est livré précâblé et préassemblé, sauf pour les pales.
2. Si une inspection est désirée, faites glisser le chapeau inférieur (C) et le joint de tige en néoprène (B) doucement en remontant la tige de suspension (A). Pour replacer le chapeau inférieur (C) dans le couvercle inférieur (D) forcez doucement le rebord de la monture dans l'ouverture moulée et poussez en enfonçant de 12,7 mm jusqu'à ce qu'une bonne fixation soit réalisée.
3. Fixez les trois lames, leur côté incurvé en dessous vers le moteur, avec la cale d'isolation montée entre pale et ventilateur. Assurez-vous que le support de pale est à plat contre la plateforme de moteur quand vous serrez les écrous de pales pour une bonne fixation.

CONSEIL : Le câble de sécurité doit être fixé sur un côté de la manille avec de la bande adhésive d'électricien pour l'empêcher de reposer sur le dessus du moteur durant le fonctionnement.



ATTENTION : Assurez-vous que les pales sont bien fixées comme illustré

ATTENTION : Ne laissez pas le chapeau inférieur installé en permanence toucher le moteur tournant car il y aurait des dommages. Assurez-vous que tous les fils sont bien disposés pour éviter leur frottement contre le moteur.

ATTENTION : Les pales doivent être fixées sur le moteur comme montré en Figure 2. N'inversez PAS les PALES à l'installation.

REMARQUE : Les pales sont assorties pour leur masse et centrage. Ne mélangez PAS les pales lors d'installations multiples.

REMARQUE : Ne courbez pas les supports de pales.

AVERTISSEMENT : DÉBRANCHEZ LE CIRCUIT D'ALIMENTATION AVANT DE RÉALISER TOUTE CONNEXION ÉLECTRIQUE.

ATTENTION : Pour réduire le risque de blessure corporelle, installez le montage d'origine directement sur la structure du bâtiment et n'utilisez que la visserie fournie avec le ventilateur.

4. Avant d'attacher le crochet en J approprié à la structure du bâtiment, retenez ce qui suit :

IMPORTANT : QUAND VOUS MONTEZ CE VENTILATEUR LE PROFILÉ DE SOUTIEN DOIT POUVOIR SUPPORTER JUSQU'À 22,7 KG.

ATTENTION : Si un avant-trou est utilisé avec le crochet fileté pour bois, il ne faut pas le percer plus gros que le diamètre minimum du filetage du crochet. Ne pas mettre de produit lubrifiant sur le crochet en J. Au moins 3,8 cm du filetage de vis doit être inséré dans la solive en bois du plafond. Quand le crochet à boulon fileté est utilisé, veillez à bien le serrer avec rondelle de blocage et écrou fournis. Attachez le crochet selon les instructions et suspendez le ventilateur.

5. Ce ventilateur est équipé d'un câble de soutien de secours nécessaire. Il peut être fixé à la structure de poutre et accroché solidement d'une façon telle qu'il puisse supporter le poids du ventilateur dans l'éventualité où le crochet de fixation ou une autre partie casse. Après avoir enroulé le câble autour d'une partie de structure pouvant supporter 137 kg, fixez ce câble avec les serre-câbles fournis comme illustré en Figure 5 (**REMARQUE :** Tout matériel additionnel nécessaire pour des installations spécifiques peut être acheté chez votre distributeur local).

(**REMARQUE :** Tout matériel additionnel nécessaire pour des installations spécifiques peut être acheté chez votre distributeur local).

CONSEIL : Laisser environ 7,5 cm (mais pas plus de 12,7 cm) sur ce câble de sécurité pour permettre un possible mouvement du ventilateur. Ne pas dépasser ce total de 12,7 cm de mou.

IMPORTANT PRÉCAUTION : Le câble de sécurité ne doit pas être placé entre le cylindre en caoutchouc et le crochet, mais plutôt comme illustré en Figure 4.

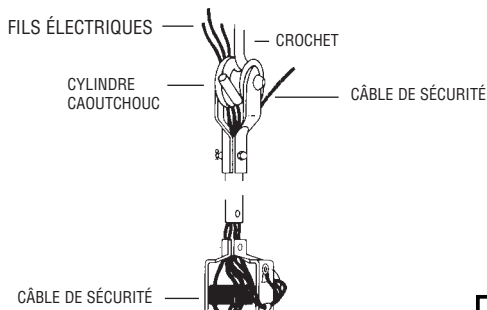


Figure 3

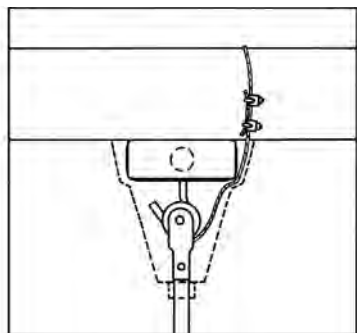


Figure 4

6. Quand vous suspendez le ventilateur sur le crochet en J fourni par l'usine, assurez-vous que le câble en haut de la tige est positionné derrière le crochet en J comme illustré en Figure 4.

IMPORTANT CONSEIL : Il est important de remarquer la bonne position d'installation des serre-câbles comme illustré en Figure 5. Pour obtenir la meilleure force de maintien, installez la section étrier de l'attache en fin de câble ou sur sa petite partie, en chevauchant le grand morceau du câble. Une installation incorrecte réduit l'efficacité du raccordement jusqu'à 40%.

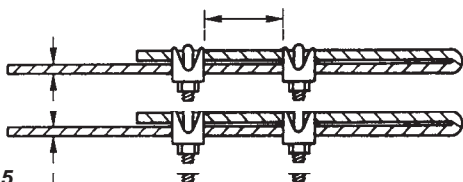


Figure 5

7. Ce ventilateur est précâblé avec un conducteur de mise à la terre de l'équipement qui doit être utilisé sur une prise reliée à la terre. Le cordon flexible est fixé à demeure sur le ventilateur.

ATTENTION : N'utilisez pas un cordon de rallonge avec ce ventilateur. Utilisez du fil calibre 12 de la source d'alimentation à la prise. En vous étant assuré d'être hors tension, suspendez le ventilateur et branchez-le sur la prise secteur.

REMARQUE : Le crochet doit couvrir uniquement le cylindre caoutchouté (G) mais pas le cordon (H).

8. Faites glisser le chapeau supérieur (B) en remontant la tige jusqu'à 6,35 mm du plafond ou de la poutre, et serrez bien la vis de réglage (F).

9. Si une commande distance de variation de vitesse doit être utilisée, reportez-vous aux consignes d'installation accompagnant cette commande pour effectuer correctement installation et câblage.

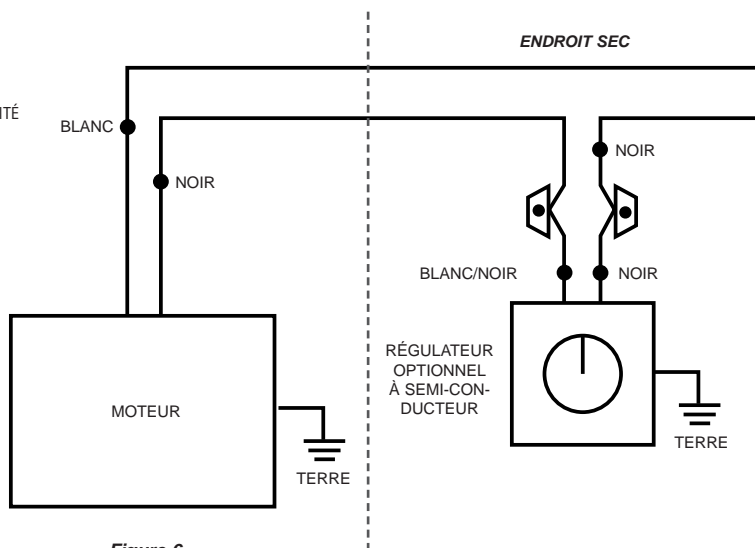


Figure 6

10. Remettez sous tension.

11. À la fin de l'installation, faites tourner le ventilateur en fonctionnement normal. Observez s'il y a de possibles oscillations ou vacillements pouvant venir d'un coincement par câble trop tendu. Si c'était le cas coupez la tension d'alimentation et vérifiez à nouveau l'installation pour corriger le problème en suivant les instructions.

REMARQUE : Quand une commande de moteur à semi-conducteur est utilisée, un bourdonnement peut être entendu au ventilateur à basse vitesse. Cela n'affecte pas le fonctionnement de la ventilation et le niveau est acceptable pour la plupart des installations industrielles.

Entretien

AVERTISSEMENT : POUR RÉDUIRE LE RISQUE DE BLESSURES CORPORELLES COUPEZ L'ALIMENTATION AVANT D'INTERVENIR. DÉBRANCHEZ LE VENTILATEUR AVANT DE LE NETTOYER OU DE LE RÉGLER.

NETTOYAGE

Dans les applications industrielles où une quantité modérée de saleté s'est accumulée, nettoyez le ventilateur avec un chiffon humide. Dans les applications en agriculture, on peut utiliser un nettoyeur à jet sous pression pour enlever l'accumulation plus lourde de saleté.

LUBRIFICATION

Les roulements à billes sont lubrifiés à vie et ne demandent pas de lubrification ultérieure.

ATTENTION : Avant d'intervenir sur l'unité ou la nettoyer, coupez l'alimentation secteur au panneau de service et verrouillez cette coupure pour éviter que l'alimentation électrique ne soit rétablie accidentellement. Quand on ne peut pas verrouiller la coupure du secteur, accrochez de façon très visible un dispositif de signalisation, comme une étiquette, sur le panneau de service.

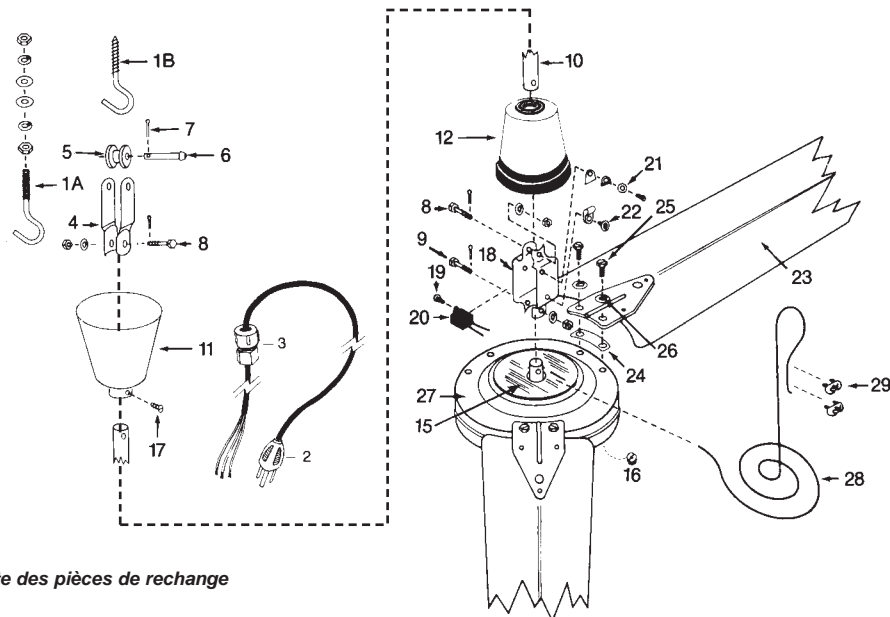


Figure 7 – Liste des pièces de rechange

Pièces de rechange pour unités 56" et 60" étanches à l'aspersion 5610-1, 6010-1 et pour l'agriculture 5611-1, 6011-1

N° RÉF.	DESCRIPTION	N° PIÈCE	QTÉ
1	Ensemble de crochet en J avec boulon	2100069A	1
1A	Crochet à vis pour bois	2100070A	1
2	Cordon 96,6 cm avec fiche trois broches	3100031A	1
3	Fer d'assemblage de cordon	3100032A	1
4	Manille supérieure	3100033A	1
5	Cylindre caoutchouc	2100072A	1
6	Goupille	2100073A	1
7	Goupille fendue 3/32 x 3/4"	*	1
8	Ensemble de boulon 6 pans 1/4 x 1 1/2"	*	2
9	Ensemble de boulon 6 pans 1/4 x 1 1/8"	*	1
10	Tige creuse de suspension de 30 cm	2100102A	1
11	Chapeau supérieur en cloche	3100039A	1
12	Chapeau inférieur	2100076A	1
13	Joint de tige du chapeau inférieur	3100042A	1
14	▲ Protection du chapeau inférieur	3100044A	1
15	▲ Disque métallique	3100044A	2

N° RÉF.	N° PIÈCE	N° PIÈCE	QTÉ
16	Bouchon de purge de condensation	3100045A	1
17	Vis de réglage 10-24 x 3/8" de chapeau	*	1
18	▲ Manille acier	2100078A	1
19	▲ Vis de condensateur	2100080A	1
20	▲ Condensateur (5610-1, 5611-1, 6010-1, 6011-1)	2100141A	1
21	▲ Ensemble de vis de terre	2100082A	1
22	▲ Ensemble de collier plastique pour câble	2100083A	1
23	† Pales pour unité 56" (5610-1, 5611-1)	3200098A	3
	† Pales pour unité 60" (6010-1, 6011-1)	4100052A	3
24	Cale de pales	2100085A	3
25	Vis de pales 1/4" x 3/4"	2100086A	6
26	Rondelles de blocage de pales 1/4"	*	6
27	▲ Ensemble de moteur pour 56" (5610-1, 5611-1)	2100130A	1
	▲ Ensemble de moteur pour 60" (6010-1, 6011-1)	2100131A	1
28	▲ Ensemble de câble de sécurité	2100088A	1
29	▲ Serre-câbles	2100089A	1

(▲) Inclus dans l'ensemble de moteur

(*) Article de quincaillerie classique disponible localement.

(†) Jeu de rechange de 3 uniquement, de couleur blanche.

GARANTIE LIMITÉE

Tous les produits fabriqués par Marley Engineering Products sont garantis contre les défauts de main d'œuvre et de matériaux pendant un an à partir de la date d'installation, sauf le moteur qui est garanti contre les défauts de main d'œuvre et de matériaux pendant trois ans, à partir de la date d'installation. Cette garantie ne s'applique pas aux dommages résultant d'accident, d'utilisation impropre ou d'altération, ni si la tension secteur appliquée est plus de 5% au-dessus de la valeur donnée sur la plaque signalétique, ni si l'équipement a été mal installé ou mal câblé, ou mal entretenu, sans respecter les instructions fournies avec le produit; Toutes les réclamations au titre de la garantie devront être accompagnées d'une preuve de la date d'installation.

Le client sera responsable de tous les frais causés par l'enlèvement ou la réinstallation des produits, y compris les frais de main d'œuvre et les frais d'expédition pour renvoyer les produits au centre d'entretien Marley Engineered Products. Dans le cadre des limites de cette garantie, les appareils défectueux doivent être renvoyés au centre de service après-vente agréé Marley le plus proche ou au centre Marley Engineered Products et nous les réparerons ou remplacerons, à notre choix, gratuitement pour vous avec les frais de retour payés par Marley. Il est entendu qu'une telle réparation ou un tel remplacement sont les seuls recours pouvant être obtenus de Marley Engineered Products.

LES GARANTIES CI-DESSUS REMPLACENT TOUTES LES AUTRES GARANTIES EXPLICITES OU IMPLICITES ET TOUTES LES GARANTIES IMPLICITES DE COMMERCIALITÉ ET D'ADAPTATION À UN USAGE PARTICULIER QUI DÉPASSENT LES GARANTIES EXPLICITES DÉCRITES CI-DESSUS SONT RÉFUTÉES PAR LA PRÉSENTE ET EXCLUES DE CET ACCORD. Marley Engineered Products NE SERA PAS RESPONSABLE DES DOMMAGES CIRCONSTANCIELS CAUSÉS PAR LE PRODUIT, QUE CE SOIT PAR NÉGLIGENCE, DÉLIT, RESPONSABILITÉ STRICTE, OU CONTRAT.

Certaines provinces n'autorisent pas l'exclusion ou la limitation des dommages circonstanciels ou fortuits, de sorte que l'exclusion ou la limitation ci-dessus peuvent donc ne pas vous concerner. Cette garantie vous donne des droits légaux spécifiques et vous pouvez aussi avoir d'autres droits qui varient d'une province à l'autre. Pour l'adresse de notre centre d'entretien autorisé le plus proche, contacter Marley Engineered Products, Bennettsville, SC 29512 USA en téléphonant au 1-800-642-4328. La marchandise renvoyée en usine doit être accompagnée d'étiquettes d'identification d'autorisation de renvoi et de service, disponibles chez Marley Engineered Products. Lors de la demande d'autorisation de renvoi, inclure tous les numéros de catalogue apparaissant sur les produits.

OBTENTION DU SERVICE DANS LE CADRE DE LA GARANTIE ET DES INFORMATIONS GÉNÉRALES

- Service ou pièces sous garantie: **1-800-642-4328**
- Achat de pièces de rechange: **1-800-654-3545**
- Informations générales sur les produits: www.marleymep.com

REMARQUE : Quand vous demandez du service préparez toujours avant d'appeler :

- N° de référence de modèle du produit
- Date de fabrication
- Numéro ou description de pièce(s)

ECR 36666

10/05

4



Marley
Engineered Products

470 Beauty Spot Rd. East
Bennettsville, SC 29512 USA