



LED

**6" Open Trim**  
**New Construction and Remodel**  
**Wet Location**

**Recessed**

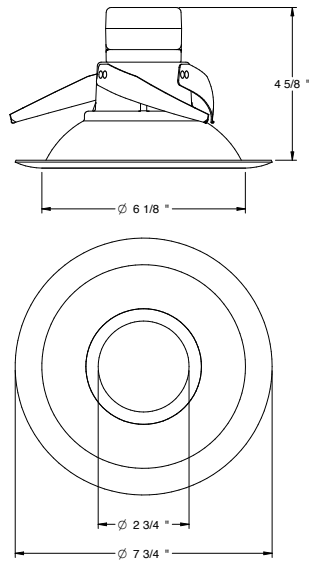
Type \_\_\_\_\_

-28/30KSTR2

P8071

**Finish**

Catalog No	Finish				3000K LED Color Temp	LED Generation
	Antique Bronze	White	Black	Metalic Gray		
P8071	-20	-28	-31	-82	30K	STR2



Lamp Wattage Housing	IC	Non-IC
P86-TG	13.5w	13.5w
P87-AT	13.5w	13.5w
P87-ATQC	13.5w	13.5w
P87-LED	13.5w	13.5w
P186-TG	13.5w	13.5w
P187-TG	13.5w	13.5w
P821-FB	13.5w	13.5w
Competitive Housings*	13.5w	13.5w

\*See Trim Compatibility Guide

The P8071 is ideal for use in both new construction as well as remodel/retrofit applications. Light output is comparable to that of typical downlight lamps providing up to 75% energy savings. The P8071 is equipped with both an Edison base adapter and quick link allowing easy installation in many standard incandescent cans, and also affording compliance to California title 24 and IECC lighting power density (w/ft<sup>2</sup>) requirements when used with the P87-LED housing (purchased separately).

**Specifications:**

Trim Assembly

- Frosted polycarbonate lens controls direct glare from the LEDs
- Easy "Push and Twist" installation with (3) friction spring clips.
- In addition to the Progress P87-AT, P87-ATQC, P87-LED, P187-TG, the P8071 is also UL classified for use with 6" housings made by Capri, Commercial Electric, Halo, Intense, Juno, Lithonia, Nora and WAC. See ProgressLED trim compatibility guide for a complete list of classified housings.

- Lamp contains no mercury
- Suitable for use in IC or NON-IC Applications with 25°C (77°F) continuous room side ambient temperature.

Electrical

- Class 2 driver, compliant to FCC 47CFR part 15 Class B, Class A noise rating, >0.90 Power Factor
- Trim comes with attached quick link for use with E26 Edison Base adapter whip (provided) or P87-LED housing (purchased separately)
- Flicker-free dimming to 15% with most standard incandescent dimmers (See Dimming Notes)
- 120VAC input, 50/60Hz

Lamping

- 5 LED (Light Emitting Diode) lamps included
- 13.5-watt input power
- Lumen output: 691 lumens. Absolute photometry conducted per LM-79 for solid state luminaires
- Lumen output and distribution comparable to a 65w BR30 incandescent lamp
- CRI is 80+ rivaling CFL
- 60,000 hours life based on 70% lumen maintenance (TM-21)

Labels

- cULus classified for wet locations

PROGRESS LED



ENERGY STAR

lighting facts

LED Product Partner

Progress Lighting  
 701 Millennium Blvd.  
 Greenville, South Carolina  
 29607

www.progresslighting.com

Rev. 04/13

**ELECTRICAL DATA P8071-28/30KSTR2**

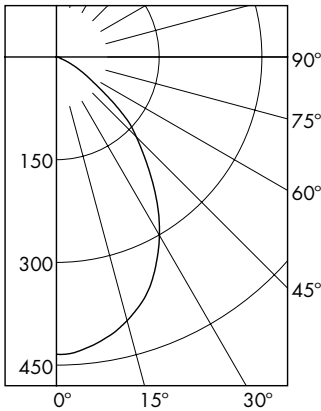
Input Voltage	120V
Input Frequency	43-63 Hz
Input Current	0.12A
Input Power	13.5W
Constant Current Output	700mA
Power Factor	>0.90
THD	<20%
EMI Filtering	FCC 47CFR Part 15, Class B
Operating Temperature	-30°C to 60°C
Dimming	Yes*
Over-voltage, over-current, short-circuit protected	
*See Dimming Notes for more information	

**PERFORMANCE DATA CHART**

Single Unit, Initial Footcandles, 30" Work Plane							Ceiling to Floor Height (ft)	Multiple Units, Initial Footcandles, 30" Work Plane			
Nadir		10°		20°		Spacing is Maximum Over Work Plane, SMH = 1.1					
FC	FC	Dia (ft)	FC	Dia (ft)	FC	Dia (ft)		Fixture Spacing (ft)	RCR 2	RCR 5	RCR 7
35	33	1	25	3	16	4	<b>6</b>	4.0	46	34	29
14	13	2	10	4	6	6	<b>8</b>	6.0	19	14	12
7	6	3	5	6	3	9	<b>10.5</b>	9.0	9	7	6
5	4	3	3	7	2	11	<b>12</b>	10.0	6	5	4

**P8071-28/30KSTR2**

LED Light Engine: 3000K 84 CRI  
 System Wattage: 13.5  
 Fixture delivered lumens: 691  
 Fixture Efficacy: 51.1  
 Spacing Criteria: 1.1



CANDELA DISTRIBUTION	
DEG	CANDELA
0	434
5	429
15	398
25	339
35	250
45	162
55	72
65	24
75	6
85	3
90	1

**ZONAL LUMEN SUMMARY**

ZONE	LUMENS	%LUMINAIRE
0-30	309	44.6%
0-40	467	67.5%
0-60	659	95.3%
0-90	691	100.0%

**COEFFICIENTS OF UTILIZATION**

Zonal Cavity Method

Room Cavity Ratio	% Effective Ceiling Cavity Reflectance											
	80%			70%			50%			30%		
	% Effective Floor Cavity Reflectance											
	% Wall Reflectance											
	70	50	30	10	70	10	50	10	50	10	50	10
<b>1</b>	112	108	105	102	109	101	102	98	98	95	98	95
<b>3</b>	97	89	83	78	95	77	85	76	82	74	82	74
<b>5</b>	84	74	67	61	83	61	71	60	69	60	69	60
<b>7</b>	74	62	55	50	72	50	60	49	59	49	59	49
<b>9</b>	65	53	46	41	64	41	52	41	51	41	51	41

P8071-28/30KSTR2

Test No. 4659

Test No. 4659

Tested at 25°C Ambient in accordance to IESNA LM-79-2008

Tested in P87-AT housing

**DIMMING NOTES:**

ProgressLED integral driver is compatible with existing 2-wire dimming circuits and is designed to operate with most standard dimmers including incandescent 120V line voltage (forward phase-leading edge) dimmers as well as 120V electronic low voltage (ELV) (reverse phase-trailing edge) dimmers. Dimming capabilities will vary depending upon the dimmer control used.

A 120V Electronic Low Voltage (ELV) dimmer can typically operate a single LED unit and are recommended for use with P8071 Series.

**Recommended Electronic Low Voltage Dimmers:**

- Lutron Nova T Series (Part number NTELV-600)
- Lutron Faedra (Part Number FAELV-T00-XX)
- Leviton Acenti (Part Number ACE06-XXX)
- Leviton Vizia (Part Number VZE04)

Most incandescent line voltage dimmers have minimum load requirements of approximately 40W and may require multiple LED modules per control. (See dimmer control manufacturer's instructions for specific requirements.)

**Recommended Incandescent Line Voltage Dimmers:**

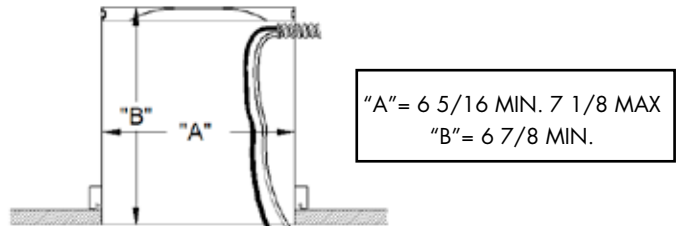
- Leviton, Illumitech Series (Part Numbers IPI06-XXX)
- Leviton, Trimatron Series (Part Numbers 6602-X, 6681-X, 6683-X, 6684-X, 700-X and 705-X)
- Leviton, SureSlide Series (Part Numbers 6631)
- Leviton, True Touch Series (Part Number 66061LM)
- Lutron Skylark Series (Part Number S-600, S2-LH)
- Cooper, Aspire Series (Part Numbers 9530XXX)

Digital dimmers are not compatible with Progress LED modules.

**COMPATIBILITY OF 6" RECESSED HOUSINGS:**

ProgressLED modules are UL/cUL classified for use with Progress and most competitive recessed cans (with "A" and "B" dimensions) including:

- |                     |            |
|---------------------|------------|
| <b>Progress</b>     | Lithonia   |
| Capri               | Lumapro    |
| Commercial Electric | Luminaire  |
| Elco                | Nora       |
| Emerald             | Prescolite |
| Halo                | Sea Gull   |
| Intense             | WAC        |
| Jimway              |            |
| Juno                |            |



**NOTES**

1. Operation in ambient temperatures higher than those specified will shorten life.
2. Warranty is limited to repair and replacement of defective parts of the LED system and does not include labor or installation. 5 year warranty requires product registration. Contact Technical Support for details.