

Type _____

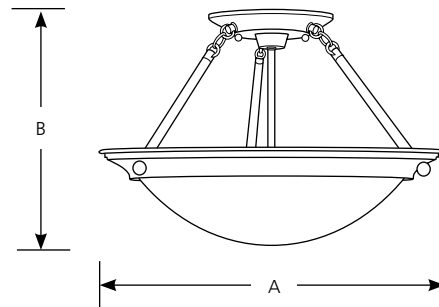
-20

P3483

P3484

P3485

Catalog No.	Finish	Lamping	Dimensions (Inches)	
	Antique Bronze		A	B
P3483	-20	2 (m) 100w	15-1/4	10-5/8
P3484	-20	3 (m) 100w	19-3/8	13-1/4
P3485	-20	4 (m) 100w	27-3/8	20-1/2



Specifications:

General

- Satin white glass bowl
- Painted Antique Bronze (-20) finish
- Steel construction
- Open top design for direct and indirect lighting
- Semi-flush design for high ceilings
- Companion Close-to-ceiling, Hall and Foyer, Sconce, fixtures are available

Electrical

- Medium base ceramic sockets
- Pre-wired

Labeling

- UL-CUL listed

Mounting

- Ceiling semi-flush mount
- Canopy covers a standard 4" hexagonal recessed outlet box: 5-1/2" dia.
- Mounting strap for outlet box included