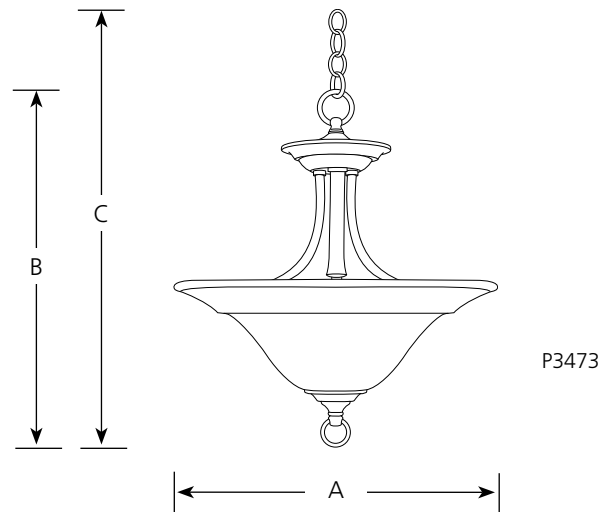


Type _____

	-09	-20
P3473	<input type="checkbox"/>	<input type="checkbox"/>
P3474	<input type="checkbox"/>	<input type="checkbox"/>

Catalog No.	Finish		Lamping	Dimensions (Inches)		
	Brushed Nickel	Antique Bronze		A	B	C
P3473	-09	-20	2 (m) 100w	16	17-1/2	93
P3474	-09	-20	3 (m) 100w	18	24	99



Specifications:

General

- Inverted etched bowl style with slight banding
 - P3473: 18" dia. x 6-1/4" W, 7/16" center hole
 - P3474: 16" dia. x 5-1/2" W, 7/16" center hole
- Oval tubing with pinched ends
- Brushed Nickel (-09) plated finish
- Antique Bronze (-20) hand painted finish
- Steel construction
- 6 feet of 9 gauge chain supplied
- Companion chandelier, hall and foyer, pendant, close to ceiling, wall bracket, and bath and vanity units

Mounting

- Ceiling chain mounted
- P3473 can also be direct ceiling mounted as a semi-flush unit
- Canopy covers a standard 4" hexagonal outlet box
- Mounting strap for outlet box included

Electrical

- Ceramic medium base sockets
- 15 feet of wire
- Pre-wired

Labeling

- UL-CUL



Compact Fluorescent

Trinity
Energy Star compliant

Foyer

Type _____

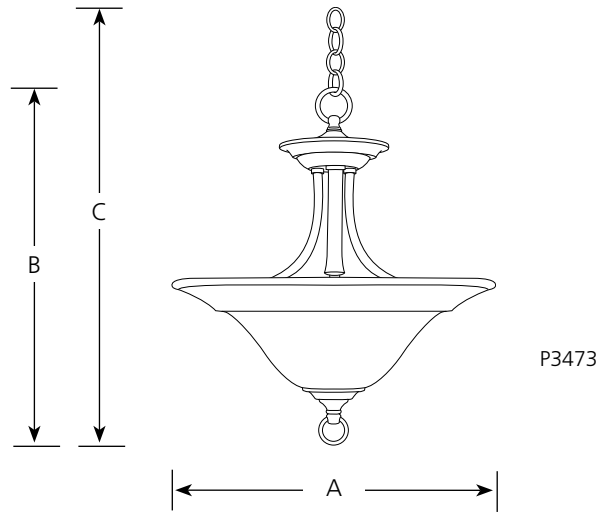
-09EBWB -20EBWB

P3473	<input type="checkbox"/>	<input type="checkbox"/>
P3474	<input type="checkbox"/>	<input type="checkbox"/>

Finish

Dimensions (Inches)

Catalog No.	Finish		Lamping	Dimensions (Inches)		
	Brushed Nickel	Antique Bronze		A	B	C
P3473	-09EBWB	-20EBWB	2-13w GU24 CFL	16	17-1/2	93
P3474	-09EBWB	-20EBWB	3-13w GU24 CFL	18	24	99



Specifications:

General

- Inverted etched bowl style with slight banding
 - P3473: 18" dia. x 6-1/4" W, 7/16" center hole
 - P3474: 16" dia. x 5-1/2" W, 7/16" center hole
- Oval tubing with pinched ends
- Brushed Nickel (-09) is plated
- Antique Bronze (-20) is hand painted
- Steel construction
- 6 feet of 9 gauge chain supplied
- Companion chandelier, hall and foyer, pendant, close to ceiling, wall bracket, and bath and vanity units
- Energy Star Certified

Mounting

- Ceiling chain mounted
- P3473 can also be direct ceiling mounted as a semi-flush unit
- Canopy covers a standard 4" hexagonal outlet box
- Mounting strap for outlet box included

Electrical

- GU24 base sockets
- 15 feet of wire
- Pre-wired

Labeling

- cCSAus listed



Progress Lighting
701 Millennium Blvd.
Greenville, South Carolina
29607

www.progresslighting.com

Rev. 03/13