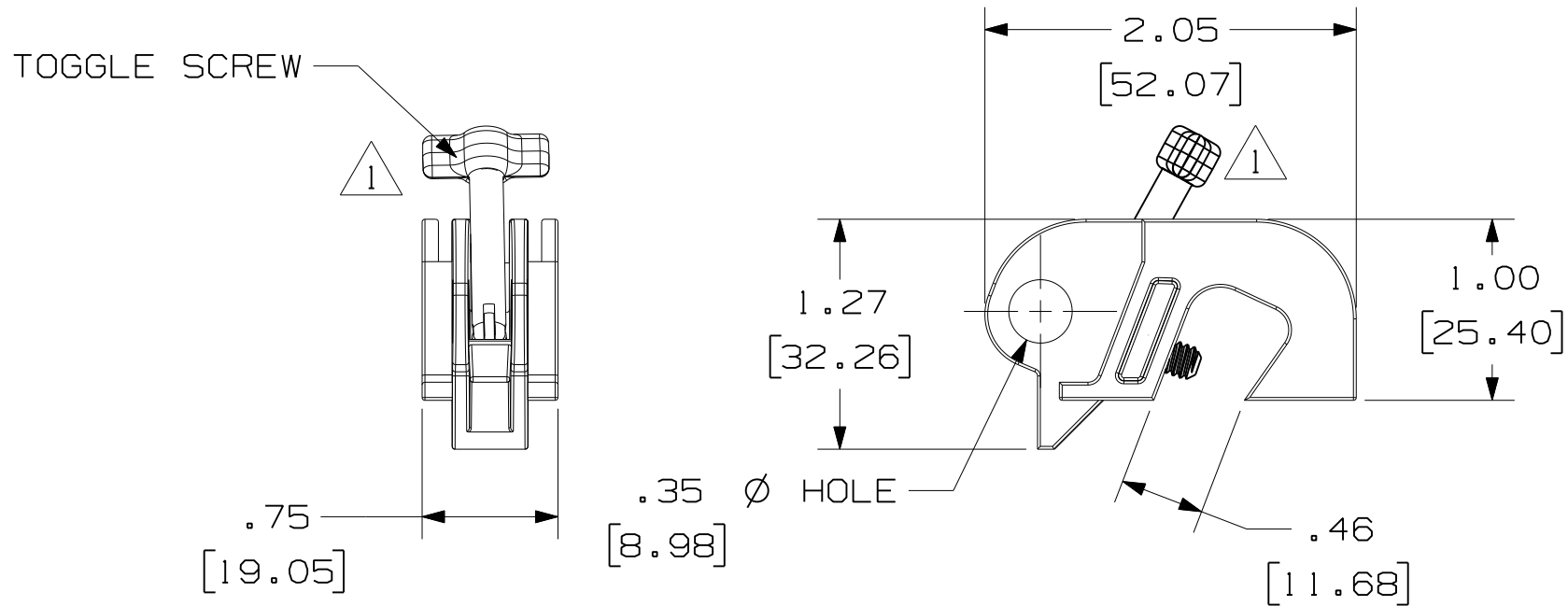


THIS COPY IS PROVIDED ON A RESTRICTED BASIS AND IS NOT TO BE USED IN ANY WAY DETRIMENTAL TO THE INTERESTS OF PANDUIT CORP.



NOTES:
1. MILLIMETERS ARE SHOWN IN BRACKETS.

CAD FILENAME/LAYERS 10061900-DC-C10018/01B

PANDUIT CORP. TINLEY PARK, ILLINOIS

PSL-CBILNT LOCKOUT

UNLESS OTHERWISE SPECIFIED, DIMENSIONAL TOLERANCES ARE:
(.X) ± (.XXX) ±
(.XX) ±.010 | ANGLES ±

UNLESS OTHERWISE SPECIFIED, ALL DIMENSIONS ARE GIVEN IN INCHES, THIRD ANGLE PROJECTION.

REV	DATE	BY	CHK	DESCRIPTION	ECN	R	CUST	SUP
I	2/15/12	RVU		UPDATE PSL-CBILNT TO REPLACE OLD SCREW THE NEW TOGGLE SCREW.	6711	R		
O	10/15/10	RVU		UPDATE MATERIAL.	6177	R		
R	3-28-03	RVU		DRAWING RELEASE	3224	R		

DRAWN BY RVU
DATE 3-28-03
CHK'D

MAT'L:
BODY - NYLON
SCREW - STAINLESS STEEL

SCALE NTS
DRAWING NO. C10018
DWG SIZE A