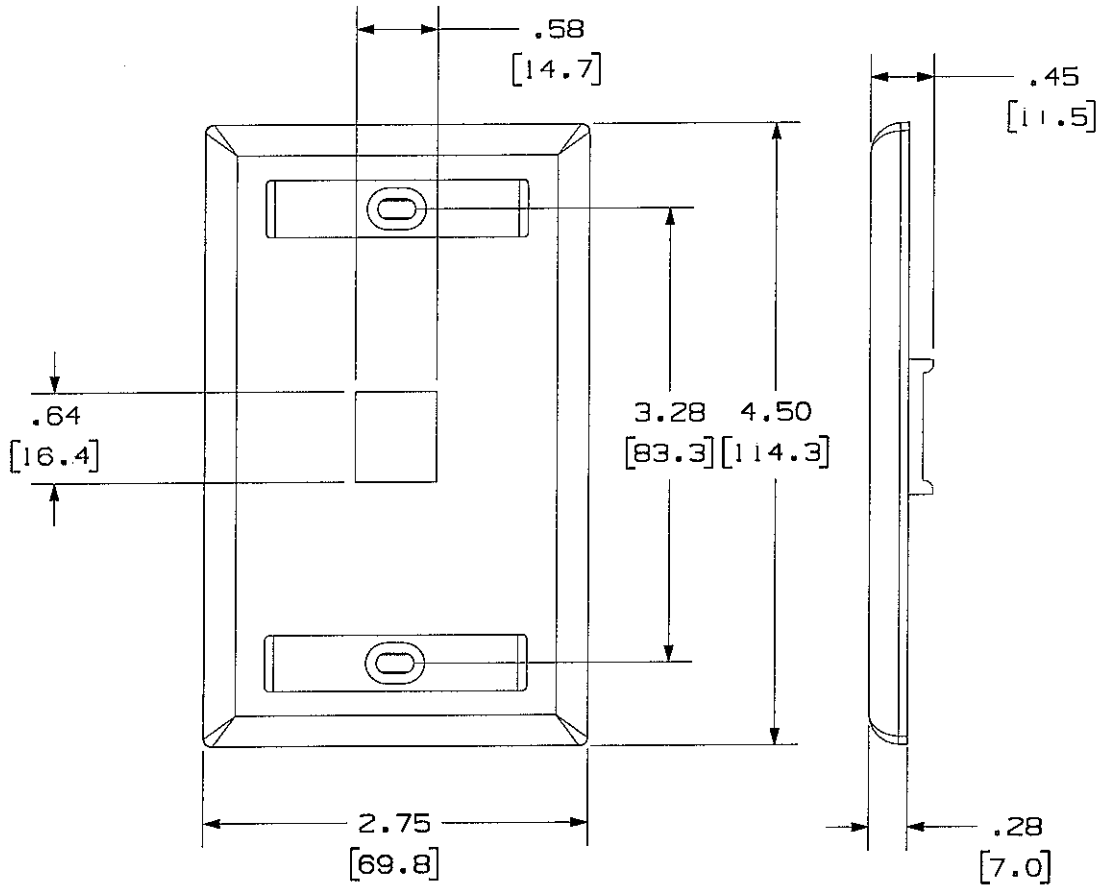
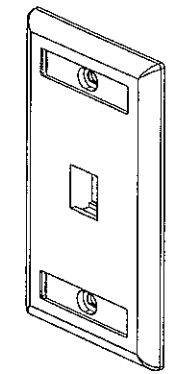


THIS COPY IS PROVIDED ON A RESTRICTED BASIS AND IS NOT TO BE USED IN ANY WAY DETRIMENTAL TO THE INTERESTS OF PANDUIT CORP.



PANDUIT P/N	WEIGHT
NKIF**Y	.49 LB/10 PCS (222 g/10 PCS)

- NOTES:
- SEE CURRENT CATALOG FOR ADDITIONAL PART SUFFIXES TO INDICATE COLOR AND OR PACKAGE QUANTITY.
 - FACEPLATE WILL ACCEPT ONE STANDARD NETKEY MODULE.
 - PART INCLUDES:
 - 1- FACEPLATE
 - 2- MOUNTING SCREW
 - 2- LABEL
 - 2- LABEL COVER
 - DIMENSIONS IN () ARE IN METRIC.



MODEL FILENAME	M00661BB_KEYSTONEFP1_02.PRT	SIZE	A
DRAWING FILENAME	M02479BE_DC031_00A.PRT		

NETKEY 1 POSITION SINGLE GANG
FACEPLATE WITH LABEL
CUSTOMER DRAWING

NETWORK SYSTEMS
AUG 18 2006
ENGINEERING DEPT

<p>PANDUIT® TINLEY PARK, IL 60477</p> <p>THIRD ANGLE PROJECTION</p>	<p>ALL DIMENSIONS ARE GIVEN IN INCHES. UNLESS OTHERWISE SPECIFIED.</p> <p>DIMENSIONAL TOLERANCES ARE: (.X) ±.03 (.XXX) ±.005 (.XX) ±.01 ANGLES ± 1°</p>	<p>1. NUMBER N/A</p> <p>PRODUCT SPEC N/A</p> <p>WORK INSTRUCTION N/A</p> <p>SCALE NONE</p>	
	<p>DRAWN BY JsP</p> <p>DATE 7-29-06</p> <p>CHK'D MJD</p>	<p>MATERIAL ABS</p>	<p>PART NO. NKIF**Y</p>
	<p>REV R</p> <p>DATE 7-29-06</p> <p>BY JsP</p> <p>CHK MJD</p>	<p>DESCRIPTION RELEASED TO PRODUCTION</p>	<p>DRAWING NO. 02479-031</p>
	<p>ECN 02479-031</p> <p>R MJD</p> <p>CUST MJD</p> <p>SUP</p> <p>OTH</p>		

REV	DATE	BY	CHK	DESCRIPTION	ECN	R	CUST	SUP	OTH
R	7-29-06	JsP	MJD	RELEASED TO PRODUCTION	02479-031	MJD	MJD		