

## SPECIFICATION SHEET

### W300 SERIES DIFFERENT SCHEDULES EACH DAY 7 DAY TIME SWITCH

#### APPLICATIONS

- Heating, air conditioning.
- Display lighting, ventilating systems.
- Lighted signage.
- Storefront lighting.

#### FEATURES SCHEDULING:

Minimum ON setting is 1 hour with a minimum OFF setting of 2 hours. Minimum 8 hours between 2 OFF settings. Models W400A and W402A offer minimum ON/OFF settings of 3 1/2 hours. 7 day calendar dial accommodates up to 2 pairs of ON/OFF trippers per day – 7 pairs are supplied.

#### SKIP-A-DAY:

Omit operations on any day.

#### MANUAL OVERRIDE:

Until the next regularly scheduled ON or OFF automatic operation then resumes.

#### OPTIONAL RESERVE POWER:

"L" models keep dial on time up to 24 hours during power outage.

#### SPECIFICATIONS

##### INPUT VOLTAGE:

120 or 208-277VAC, 60Hz, varies by model.

##### TIMING ACCURACY:

Line frequency.

##### TERMINAL RANGE:

#8 - #14AWG.

##### OPERATING TEMPERATURE:

-40 °F to 165 °F (-40 °C to 74 °C).

##### POWER CONSUMPTION:

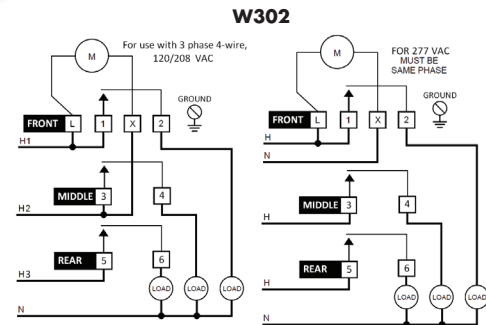
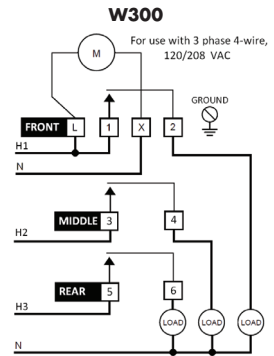
3 watts, 5 watts for "L" models maximum.

##### ENCLOSURE:

Indoor NEMA 1 Metal with lockable hasp. Other enclosures include metal Indoor/Outdoor NEMA 3 with suffix "O" (see page 557 for enclosure dimensions).



#### WIRE DIAGRAM



#### ORDERING INFO

CAT. NO.	UPC CODE	INPUT SUPPLY (VAC) 60Hz	OUTPUT CONTACTS	ENCLOSURE TYPE
<b>W300</b>	32001	120	3PST	Metal Indoor NEMA 1
<b>W300-O</b>	32003	120	3PST	Metal Indoor/Outdoor NEMA 3
<b>W302</b>	32002	208-277	3PST	Metal Indoor NEMA 1
WITH RESERVE POWER				
<b>W300L</b>	39005	120	3PST	Metal Indoor NEMA 1
<b>W302L</b>	39006	208-277	3PST	Metal Indoor NEMA 1

Replacement Trippers

Order #P69 for 7 pairs of ON/OFF trippers

Replacement Motor #101 (120V) & #201 (208-277V). For "L" models order #36 (120V) and #46 (208-277V).

#### CONTACT RATINGS

TYPE	VOLTAGE (VAC)	CONTACT RATING
General Purpose	120 -277	40A
Resistive	120 -277	40A
Tungsten	120	40A
Ballast	120-277	20A
Pilot Duty	120 -277	1000VA
Motor	120	2HP
	240	5HP

277VAC Single Phase