

GROUNDING CONNECTORS

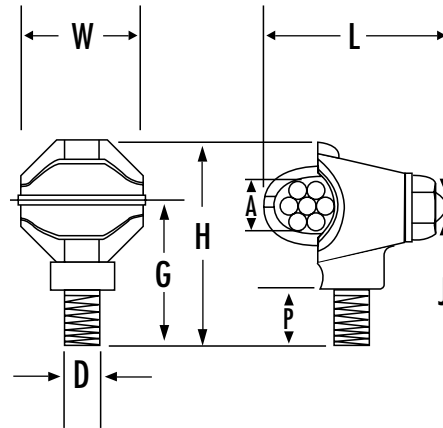
Transformer Ground Clamps

TGE SERIES



FEATURES

- Cast from high conductivity, high strength copper alloy with cast high strength bronze eyebolts.
- Stainless steel nuts and lockwashers are standard on all clamps.
- The TGE may be tightened by using a wrench on the body.



All dimensional data is listed in inches.

CAT. NO.	COPPER CONDUCTOR RANGE (A)	FINISH	WIRE DIA.	STUD SIZE (D)	LENGTH (L)	WIDTH (W)	HEIGHT (H)	STD. CTN. QTY.
TGE-1	10 SOL - 1 STR	Plain	.102/.332	1/2 - 13	1.450	0.932	1.701	50
TGE-2/O	8 SOL -2/O STR	Plain	.128/.419	1/2 - 13	1.782	1.225	2.208	15
TGE-250	6 SOL - 250MCM	Plain	.162/.575	1/2 - 13	2.760	1.863	2.569	10
TGE-1TN	10 SOL - 1 STR	Tin Plated	.102/.332	1/2 - 13	1.450	0.932	1.701	50
TGE-2/OTN	8 SOL -2/O STR	Tin Plated	.128/.419	1/2 - 13	1.782	1.225	2.208	15
TGE-250TN	6 SOL - 250MCM	Tin Plated	.162/.575	1/2 - 13	2.760	1.863	2.569	10