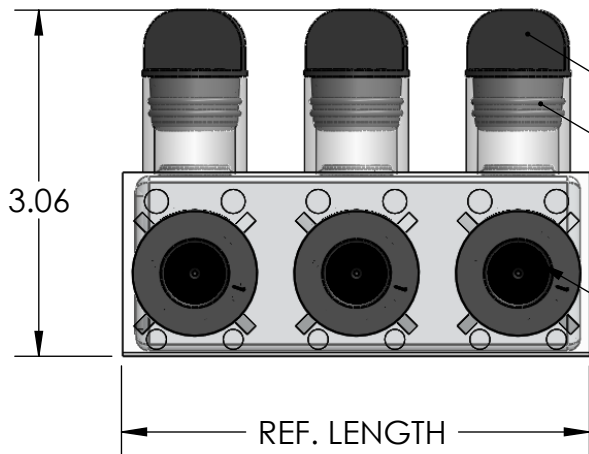
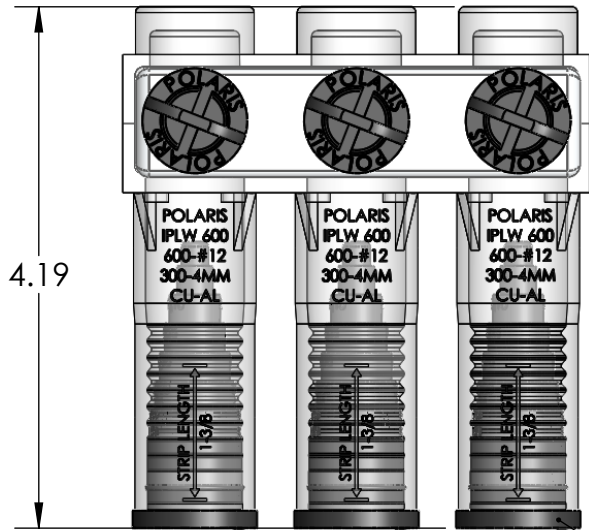
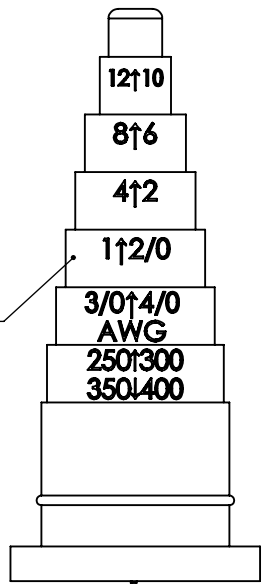


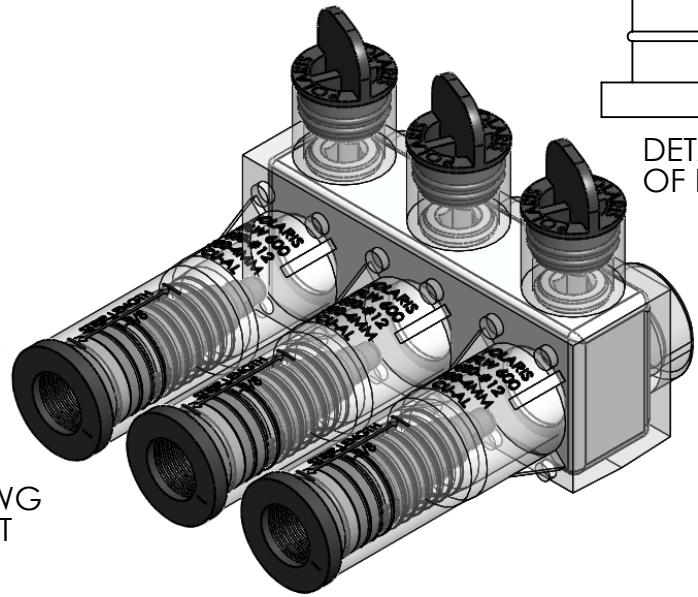
PART NUMBER	# OF PORTS	LENGTH
ISPC350-3	3	3.61
ISPC350-4	4	4.80
ISPC350-6	6	7.18



CUT FOR APPROPRIATE WIRE SIZE



DETAIL VIEW OF ROCKET



CONTACT NSI FOR SALES @ 800.321.5847

		POLARIS SALES CO. INC					
PROPRIETARY AND CONFIDENTIAL		11625 PROSPEROUS DRIVE ODESSA, FL 33556					
THE INFORMATION CONTAINED IN THIS DRAWING IS THE SOLE PROPERTY OF POLARIS SALES CO. INC. ANY REPRODUCTION IN PART OR AS A WHOLE WITHOUT THE WRITTEN PERMISSION OF POLARIS SALES CO. INC. IS PROHIBITED.		TITLE: 350 CLEAR SUBMERSIBLE PEDESTAL CONNECTOR					
<table border="1"> <tr> <th>NAME</th> <th>DATE</th> </tr> <tr> <td>S.PARRY</td> <td>2/1/2013</td> </tr> </table>		NAME	DATE	S.PARRY	2/1/2013	DWG. NO. ISPC350-SERIES	
NAME	DATE						
S.PARRY	2/1/2013						
MATERIAL: 6061-T6511 ALUMINUM		SCALE: 1:2	SHEET: 1 OF 1				

- NOTES:
- CONNECTOR PRE-FILLED W/ OXIDE INHIBITOR.
 - CONNECTOR MEETS OR EXCEEDS ANSI C119.4 SPECIFICATIONS.