

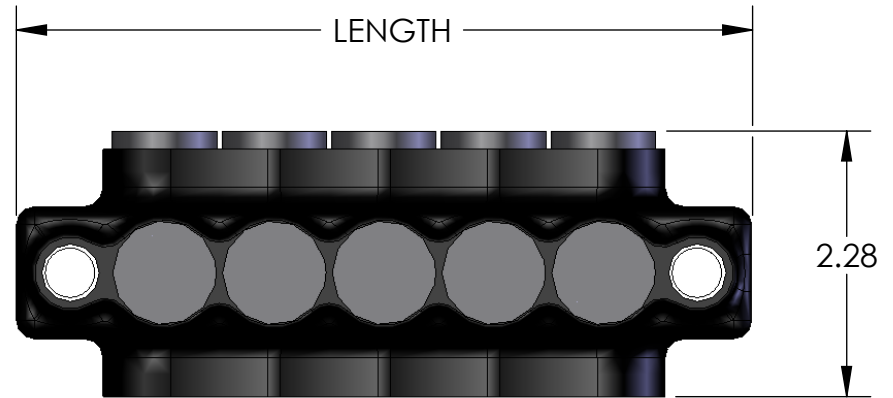
REMOVABLE CAP TO TIGHTEN SCREW (REPLACE WHEN COMPLETE)

REMOVABLE CAP FOR DUAL ENTRY (INSERT IN OTHER SIDE)

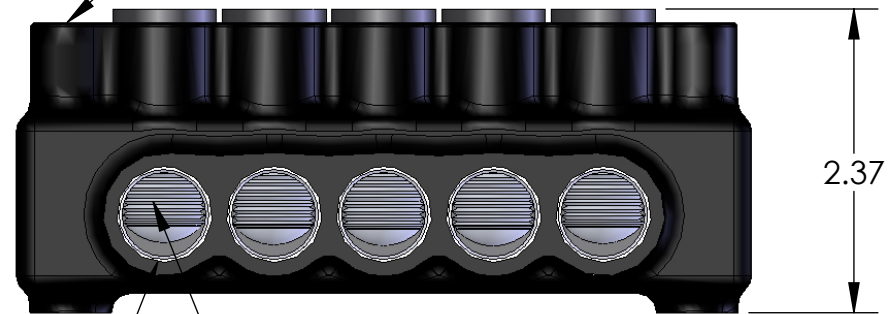
IPLMD250-5 SHOWN

PART NUMBER	NO. OF PORTS	LENGTH
IPLMD250-3	3	4.42
IPLMD250-4	4	5.28
IPLMD250-5	5	6.14
IPLMD250-6	6	7.01
IPLMD250-7	7	7.82
IPLMD250-8	8	8.73
IPLMD250-10	10	10.40
IPLMD250-12	12	12.13

WIRE ENTRY POINT
WIRE RANGE: 250MCM - #6AWG
PRE-FILLED W/ OXIDE INHIBITOR



INSULATED MOUNTING PORT ON EACH END FOR A 5/16 BOLT



CONTACT NSi FOR SALES @ 800.321.5847

NOTES:

- CONNECTOR MANUFACTURED FROM 6061-T6 ALUMINUM ALLOY.
- UL LISTED PER UL486A/B SPECIFICATIONS FOR 600V.
- DUAL RATED FOR 90°C COPPER AND/OR ALUMINUM CONDUCTOR.
- COLD TEMPERATURE RATED TO -45°C.
- HIGH DIELECTRIC STRENGTH INSULATION IS ABRASION, CHEMICAL AND UV RESISTANT.

		POLARIS SALES CO. INC	
PROPRIETARY AND CONFIDENTIAL		11625 PROSPEROUS DRIVE ODESSA, FL 33556	
THE INFORMATION CONTAINED IN THIS DRAWING IS THE SOLE PROPERTY OF POLARIS SALES CO. INC. ANY REPRODUCTION IN PART OR AS A WHOLE WITHOUT THE WRITTEN PERMISSION OF POLARIS SALES CO. INC. IS PROHIBITED.		TITLE: INSULATED MOUNTED DUAL ENTRY 250 CONNECTOR	
NAME	DATE	DWG. NO. IPLMD250-	
DRAWN BY L. HILL	11-24-09		
MATERIAL: N/A		SCALE: N/A	SHEET: 1 OF 1