

GROUNDING CONNECTORS

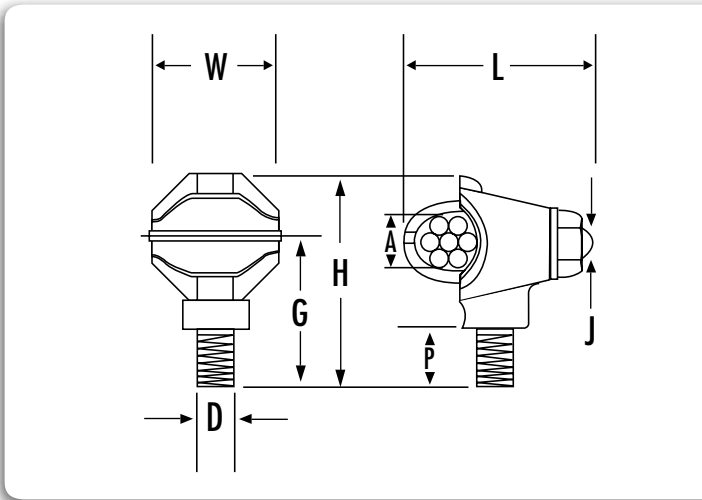
Two-Way Baskets

HTGE SERIES



FEATURES

- Cast from high conductivity, high strength copper alloy with cast high strength bronze eyebolts.
- Stainless steel nuts and lockwashers are standard on all clamps.
- The HTGE provides a hex or square shoulder for wrench tightening.
- The flat surface also acts as a seal to the tank.



All dimensional data is listed in inches.

CAT. NO.	COPPER CONDUCTOR RANGE (A)	FINISH	WIRE DIA.	STUD SIZE (D)	APPROX DIMENSIONS											
					G		H		J (EYEBOLT)		L		P		W	
					IN	MM	IN	MM	IN	MM	IN	MM	IN	MM	IN	MM
HTGE-1	10 SOL - 1 STR	Plain	.102/.332	1/2 - 13	1 - 3/16	30	1 - 3/4	44	3/8 - 16	1 - 31/32	50	7/16	11	1 - 1/8	28	
HTGE-2/O	8 SOL - 2/O STR	Plain	.128/.419	1/2 - 13	1 - 5/16	33	1 - 15/16	49	3/8 - 16	2	51	7/16	11	1 - 1/4	32	
HTGE-250	6 SOL - 250MCM	Plain	.162/.575	1/2 - 13	1 - 3/16	30	2 - 1/8	54	1/2 - 13	2 - 5/8	67	15/32	12	1 - 7/8	48	
HTGE-2/OTN	8 SOL - 2/O STR	Tin Plated	.128/.419	1/2 - 13	1 - 5/16	33	1 - 15/16	49	3/8 - 16	2	51	7/16	11	1 - 1/4	32	
HTGE-250TN	6 SOL - 250MCM	Tin Plated	.162/.575	1/2 - 13	1 - 3/16	30	2 - 1/8	54	1/2 - 13	2 - 5/8	67	15/32	12	1 - 7/8	48	