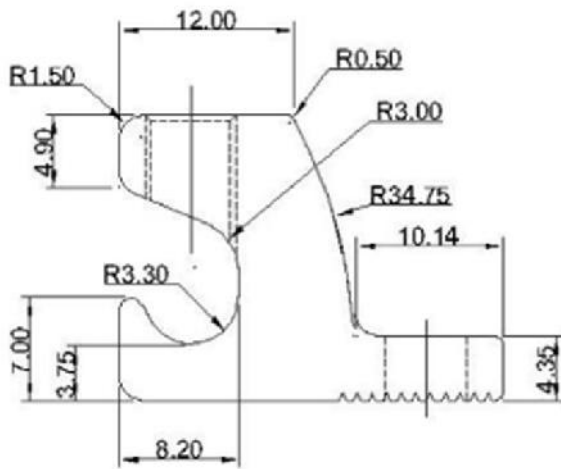
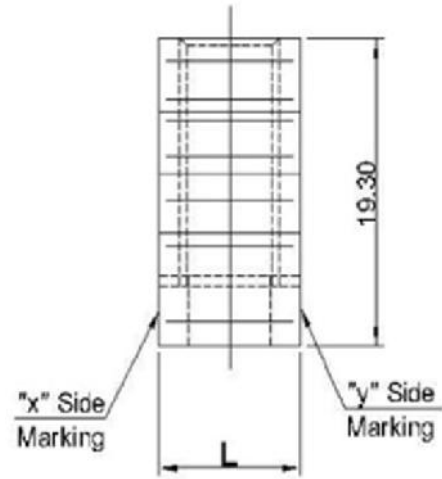
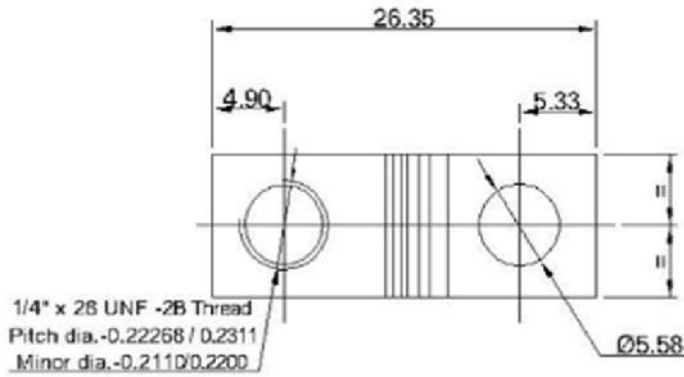
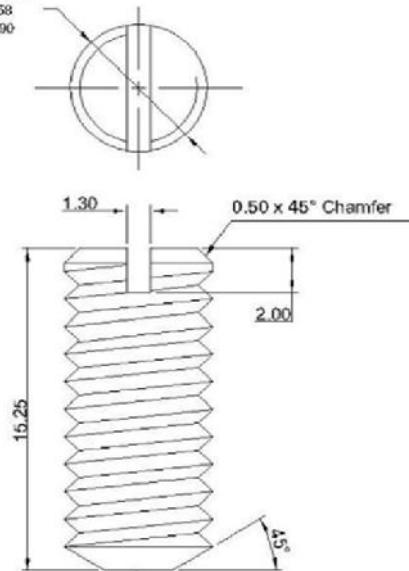


Copper Lay-In Connectors

Drawing Dimensions in MM



1/4" x 28 UNF - 2A Thread
Pitch Dia.-0.2225 / 0.2258
Major Dia.-0.2425 / 0.2490



Material-Copper-Tin Plated

Drawn - SD
Approval - KM



Title - Copper Lay-In Connectors

Part Number	Wire Range	Material	L	W	H	MTG. Hole Diameter
GLC-4 DBP	4-14 AWG	Copper-Tin Plated	1.037	0.380	0.763	0.219