

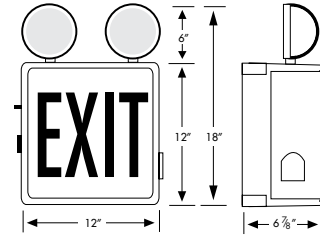
**LIGHTING**  
**Wet Location**  
**Emergency Light**  
**EMWL & EMTW SERIES**



**WET LOCATION LED EXIT LIGHT, 2-HEAD UNIT**



- For commercial, industrial, institutional and retail lighting.
- ABS, corrosion resistant UV stabilized enclosures meet NFPA, NEC, OSHA, NEC and local and state codes, making these energy-saving wet location LED exit lights great for corrosive or damaging environments.
- Universal 120/277VAC operation with removable directional indicators and an 25+ year light source life expectancy.

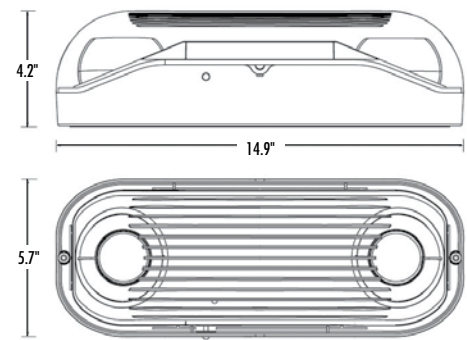


CAT. NO.	TYPE	LETTERING	HOUSING	BATTERY
<b>EMWL26RW</b>	2-Head Emergency Light	Red	White	6V

**WET LOCATION LED EXIT LIGHT**



- For commercial, industrial, institutional and retail lighting.
- Dual 120/277VAC operation.
- Sealed lead acid, rechargeable, maintenance-free battery and high-impact housing.
- Push-to-test switch and automatic, low-voltage disconnect (LVD).
- Completely self-contained and UL listed for wet locations.



All dimensional data is listed in inches.

CAT. NO.	DESCRIPTION	BATTERY TYPE	BATTERY	HEIGHT	WIDTH	DEPTH	LAMP
<b>EMTWMR16WL</b>	Wet Location Twin Head Mr16 Emergency Light-Gray	Sealed Lead Acid 90 Minute Operation	6V	5.7	14.9	4.2	2 x 7 Watt MR-16 Halogen