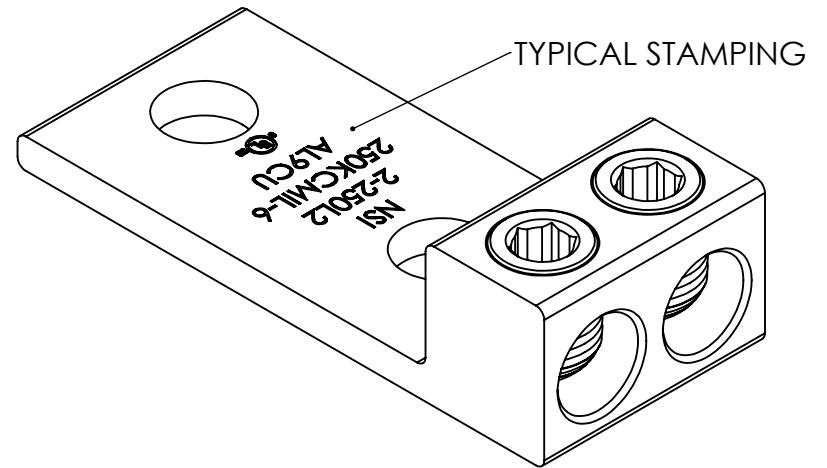
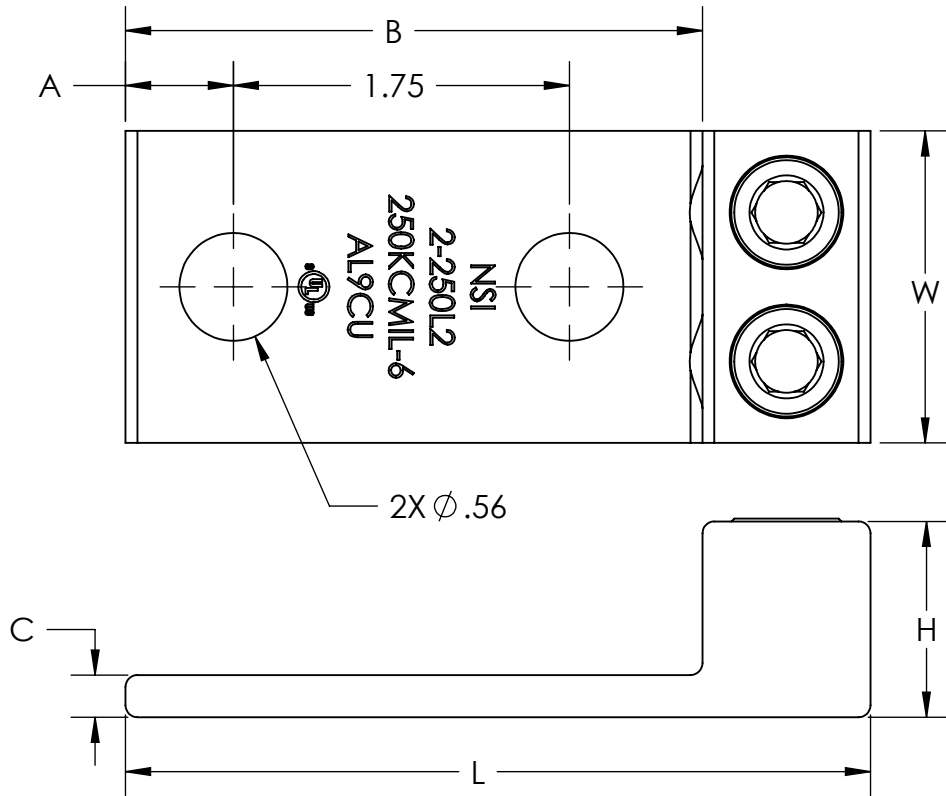


| NSI PART # | WIRE RANGE AL/CU | HEX SIZE | L    | H    | W    | A   | B    | C   | MAX TIGHTENING TORQUE IN/LBS |
|------------|------------------|----------|------|------|------|-----|------|-----|------------------------------|
| 2-250L2    | 250 - 6          | 5/16"    | 3.88 | 1.02 | 1.63 | .56 | 3.01 | .22 | 275                          |
| 2-350L2    | 350 - 6          | 5/16"    | 4.25 | 1.13 | 1.92 | .63 | 3.25 | .25 | 275                          |
| 2-600L2    | 600 - 2          | 3/8"     | 4.65 | 1.51 | 2.41 | .63 | 3.40 | .38 | 375                          |
| 2-800L2    | 800 - 300        | 1/2"     | 4.75 | 1.69 | 2.75 | .63 | 3.38 | .44 | 500                          |
| 2-1000L2   | 1000 - 350       | 9/16"    | 4.94 | 1.88 | 3.19 | .63 | 3.44 | .44 | 600                          |



**NOTES:**

1. TIN PLATED 6061-T6511 ALUMINUM ALLOY.
2. UL LISTED 90° C FOR COPPER AND ALUMINIUM CONDUCTOR.

|   |      |   |                            |
|---|------|---|----------------------------|
|   |      | <b>nsi</b><br>INDUSTRIES                                  |                            |
| PROPRIETARY AND CONFIDENTIAL  |      | 9730 Northcross Center Court Huntersville, NC 28078       |                            |
| THE INFORMATION CONTAINED IN THIS DRAWING IS THE SOLE PROPERTY OF NSI Industries, LLC. REPRODUCTION IN PART OR AS A WHOLE WITHOUT THE WRITTEN PERMISSION OF POLARIS SALES CO. INC. IS PROHIBITED. |      | TITLE:<br><b>NSI TWO PORT NEMA SPACING LUGS L2 SERIES</b> |                            |
|   | NAME | DATE  | DWG. NO.                   |
| DRAWN BY  | KM   | 3/18/2011   | NSI PANELBOARD LUGS 2 PORT |
| MATERIAL: 6061-T6511 ALUMINUM   |      | SCALE: 1:1  | SHEET: 1 OF 1              |