



Catalog Number: U4323-O-5T9  
Item Description: 200A MET RL CB PROV TWIN  
UPC Code: 784572288324

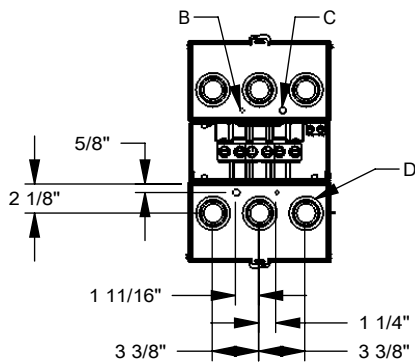
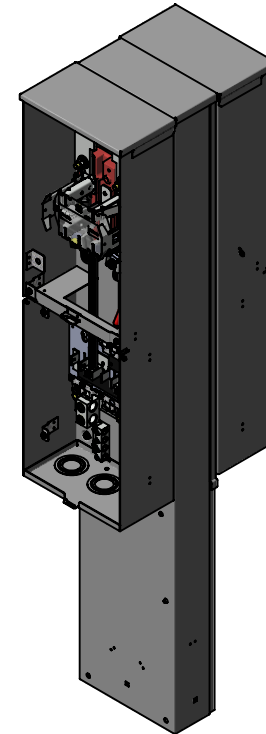
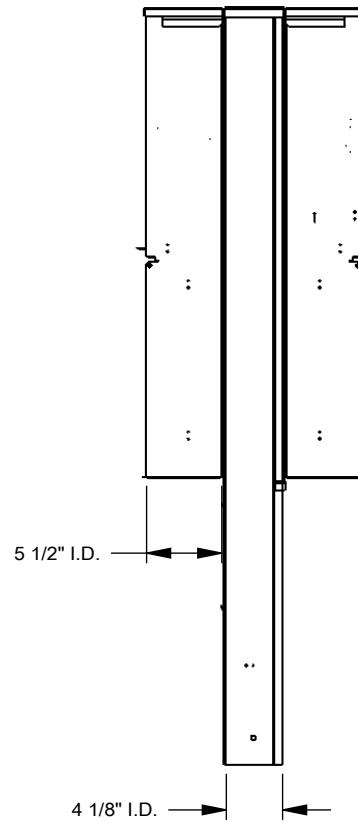
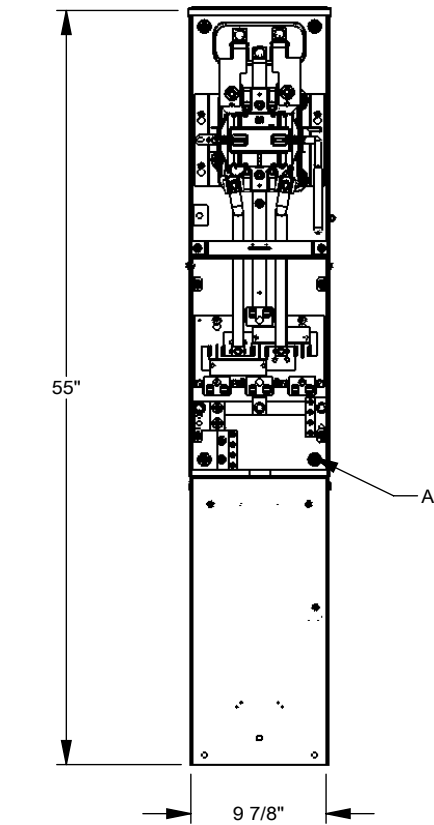
Brand Name: Milbank  
Type: Ringless Meter Socket  
Application: Meter Socket With Main And Load Center  
Standard: UL Listed  
Voltage Rating: Up to 240 Volts Alternating Current  
Amperage Rating: 200 Continuous Ampere  
Phase: 1 Phase  
Frequency Rating: 60 Hertz  
Number Of Cutouts: 6  
Cutout Size: Breaker Provision  
Cable Entry: Underground  
Terminal: Double Mechanical Line Side and Double Mechanical Load Side  
Mounting: Pedestal  
Enclosure: Type 3R, G90 Galvanized Steel with Powder Coat Finish



Additional Specifications: Number of Jaws:5 Terminal  
Hub Opening and Closing Plates:Plain Top  
Hub Opening and Closing Plates:Plain Top  
Hub Opening and Closing Plates:Plain Top  
Hub Opening and Closing Plates:Plain Top  
Hub Opening and Closing Plates:Plain Top

*Utility requirements may vary. Always consult the serving utility for their requirements prior to ordering or installing this equipment. This product must always be installed by a licensed electrician. Installation of this equipment may require local electrical inspector approval.*

FEATURE TABLE		
ITEM	QTY	DESCRIPTION
A	8	STD. MNTG. EMBOSS
B	2	¼ SOLID K.O.
C	2	½ SOLID (Ø ½) K.O.
D	6	1, 1¼, 1½, 2 CONC. K.O.



Version:

1

All dimensions are +/- 1/16".  
 Drawing views are not to scale.  
 Utility requirements for this equipment may vary. Always consult the serving utility for their requirements prior to ordering or installing this equipment. This product must be installed by a licensed electrician. Installation of this equipment may require local electrical inspector approval.