

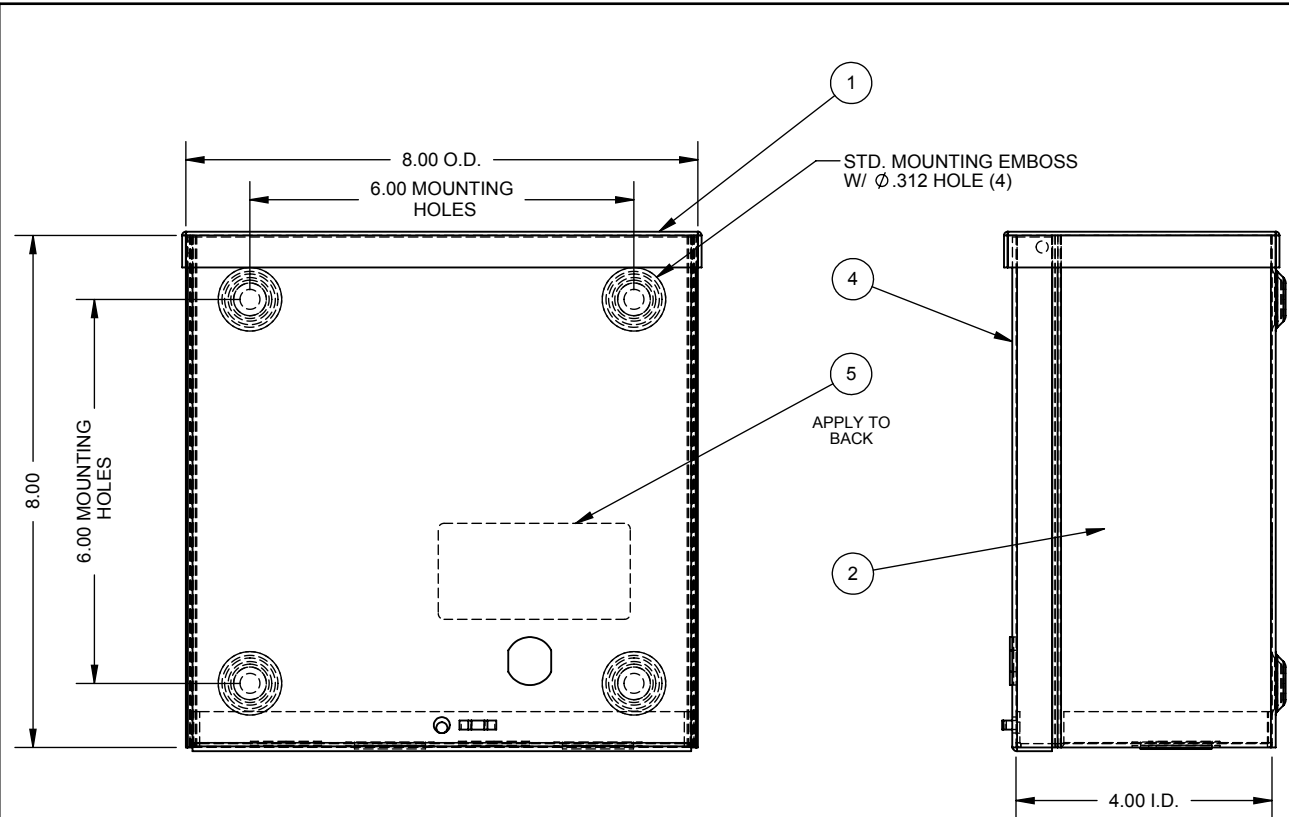


Catalog Number: 884-SC3R
Item Description: N3R SCREW COVER ENCL
UPC Code: 784572109414

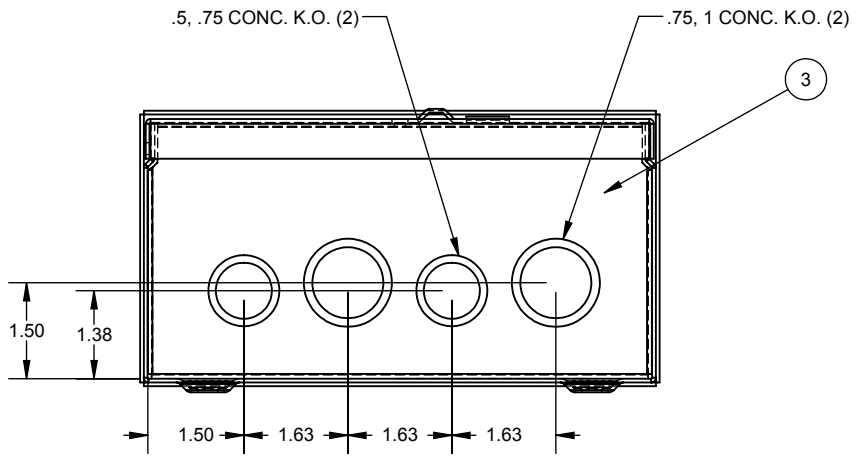
Brand Name: Milbank
Type: Screw Cover
Special Features: Drip Shield Top, Cover Secured with Plated Screw, Mounting Embosses on Enclosure Back
Application: Enclosure for Mounting Electrical Equipment
Standard: UL Listed
Number Of Outlet: 0
Material: Steel with Powder Coat Finish
Color: ANSI 61 Gray
Mounting: Wall Mount
NEMA Rating: Type 3R



Utility requirements may vary. Always consult the serving utility for their requirements prior to ordering or installing this equipment. This product must always be installed by a licensed electrician. Installation of this equipment may require local electrical inspector approval.



ITEM	QTY.	PART NUMBER	DESCRIPTION
1	1	1001480	TOP
2	1	1001309	BACK
3	1	(SEE CHART)	BOTTOM
4	1	(SEE CHART)	FRONT
5	1	(SEE CHART)	LABEL (UL)
6	1	1002170	BAG OF NEMA SCREWS
7	0.167	1003389	CARTON (NOT SHOWN)



NOTES:
 1.) BAG ASSY TO BE SHIPPED INSIDE OF EACH ENCLOSURE.
 2.) WHEN SOLD WITH "R" PREFIX, APPLY STANDARD CARTON LABEL SHOWIN QUANTITY OF 1 TO THE WRAPPING OF EACH UNIT. APPLY STANDARD CARTON LABEL TO CARTON SHOWING QUANTITY OF 5.

CAT. NO.	BOTTOM	FRONT	LABEL
884-SC3R	1002027	1011028	1002135
884-SC3R-NK	1010901	1011028	1002135
884-SC3R-NK-SP1	1010901	1135540	1002135
RC-884-SC3R	1002027	1011028	1125021
SPRSC-884	1002027	1011028	1132714

REV	DATE	DESCRIPTION	BY
D6	12/5/11	UPDATE RETAIL NOTE (ECO #21645)	D.F.
E	2/2/12	1003389 (.167) WAS (.2). (ECO #21862)	EMB
E1	5/16/12	NOTE 2: "THE WRAPPING" WAS "SHRINK WRAP" (ECO #22340)	D.F.

Material:	16 GA. STEEL		<p>General Offices: Kansas City, MO</p>	
Shear/ Die#:				
Finish:	MILBANK LT. GRAY			
Part Wt.:				
Tolerances:			Title:	SCREW COVER CAN TYPE 3R ENCLOSURE
Unless Specified Otherwise X.X ±.1 X.XX ±.03 X.XXX ±.015 X* ±2*			Catalog No.:	(SEE CHART)
Scale:	NTS	Checked By:	Customer:	MILBANK STANDARD
Drawn By:	DL	Approved By:	Drawing No.:	1002628
Date:	11-13-06	Sheet	1 of 1	