



Catalog Number: 8818-GSC1-NK
Item Description: N1 SCREW CVR GUTTER NK
UPC Code: 784572191549

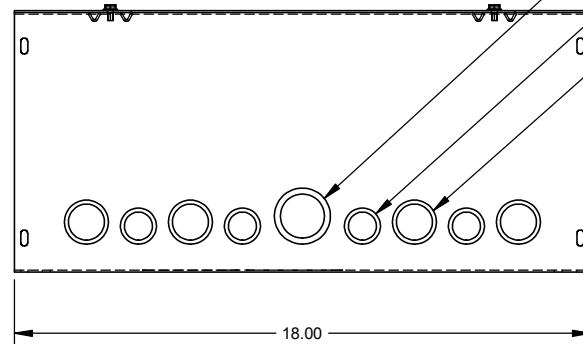
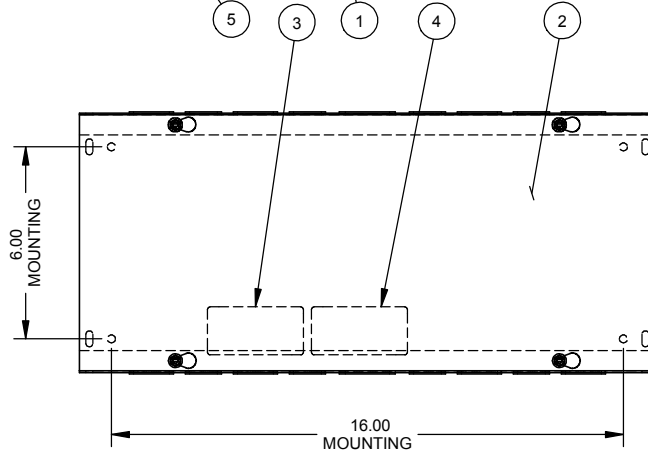
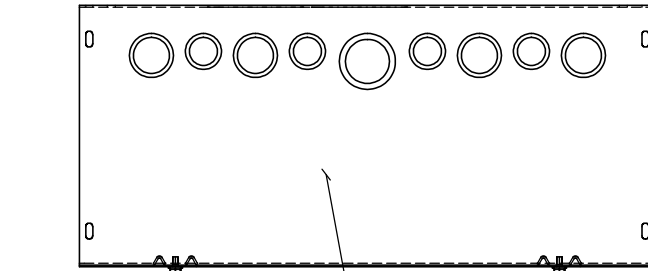
Brand Name: Milbank
Type: Lay In Wireway
Application: Wireway
Standard: UL Listed, Type 1
Cover Type: Screw Cover
Enclosure: Indoor Enclosure
Nominal Cross Section: 8x8
Straight Section Length: 18
Material: Steel with Powder Coat Finish
Finish: ANSI 61 Gray
Knockouts: False



Utility requirements may vary. Always consult the serving utility for their requirements prior to ordering or installing this equipment. This product must always be installed by a licensed electrician. Installation of this equipment may require local electrical inspector approval.

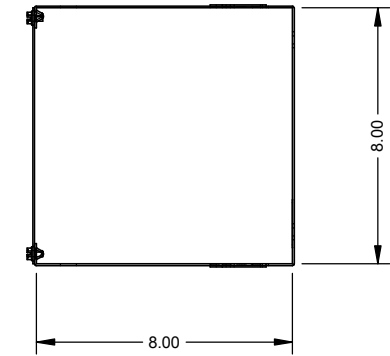
PREFIX	LABEL NO.
NONE	1002943
RC-	1125051

NO.	QTY.	PART NO.	DESCRIPTION
1	1	(SEE CHART)	BACK
2	1	(SEE CHART)	PLATE/COVER
3	1	(SEE CHART)	UL LABEL, WIREWAY
4	1	1002913	LABEL, RATING
5	4	1001290	SCREW, 10-32 X 5/16
6	2	1002880	BAG ASSY (NOT SHOWN)



- 1, 1-1/4 CONC. K.O.
2 PL
- 1/2, 3/4 CONC. K.O.
8 PL
- 3/4, 1 CONC. K.O.
8 PL


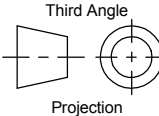
SUFFIX	MATERIAL	BACK #	COVER #
-SU	CRS	1130387	1097034
-SUC	CRS	1129069	1129033
-SO	GALV	1129070	1129034
-SUNK	CRS	1097033	1097034
-NK	GALV	1129071	1129034
-SUNKC	CRS	1129072	1129033



SUFFIX	FINISH
NONE	PAINTED
-NP	NOT PAINTED

NOTE:
1. PLACE BAG ASS'Y INSIDE ENCLOSURE. (NOT SHOWN)

NEMA DWG.: #254

Material:	16 GA. - SEE CHART	 General Offices: Kansas City, MO	
Finish:	SEE CHART		
Tolerances: Unless Specified Otherwise X.X ±.1 X.XX ±.03 X.XXX ±.015 X* ±2°		Title:	SCREW COVER WIREWAY 8 x 8 x 18, TYPE 1 NEMA ENCLOSURE
		Catalog No.:	8818-GSC1
Scale: NTS Drawn By: DY		Customer:	MILBANK STANDARD
Checked By: Approved By:		Drawing No.:	1000760
Date:		Date:	08/19/02
Sheet 1 of 1		Sheet 1 of 1	

E	11/04/2014	CHANGED MATERIAL (eECR0030014)	AJS	C	8-29-07	ADDED BACK & COVER CHART ECO. 15946	DL
B1	9-18-06	mECO #15183, ADDED NOTE #2.	CMW	D	9/9/11	1002880 (2) WAS (4) (ECO #21290)	D.F.