

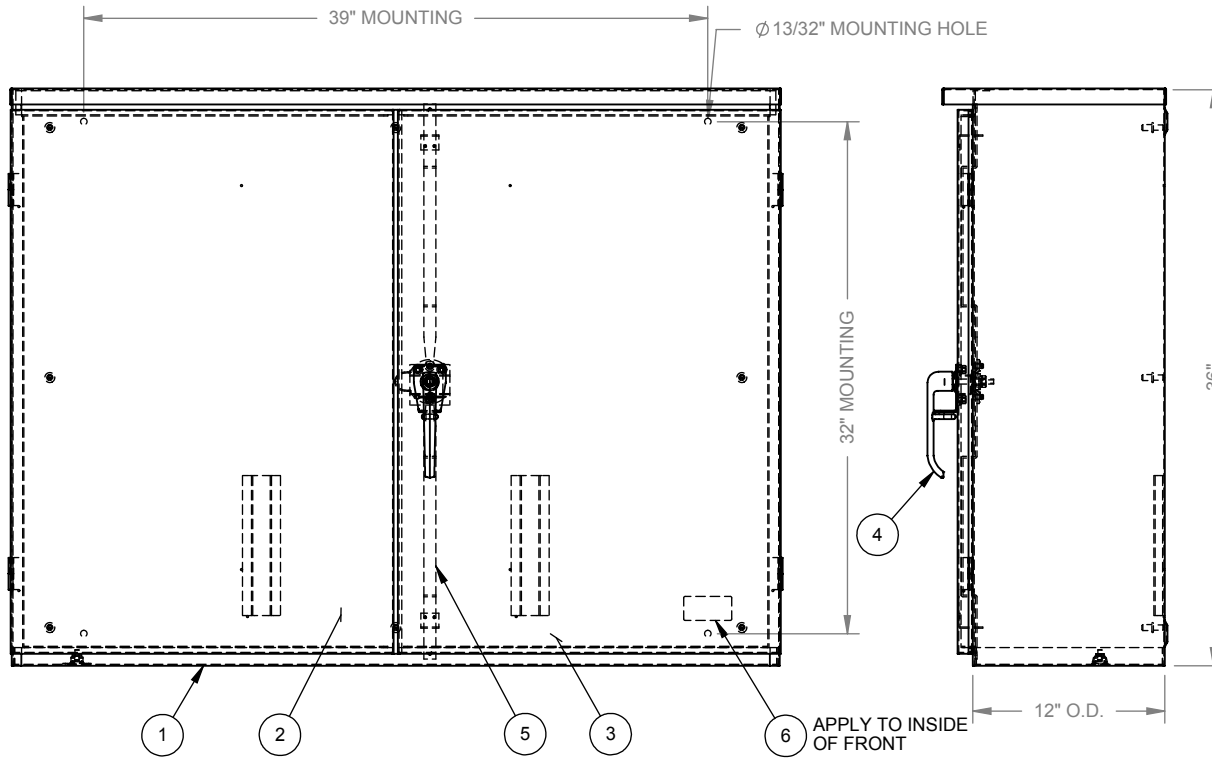


Catalog Number: 483612-CT3R
Item Description: CT3R HINGED PADLCKBL ENCL
UPC Code: 784572161825

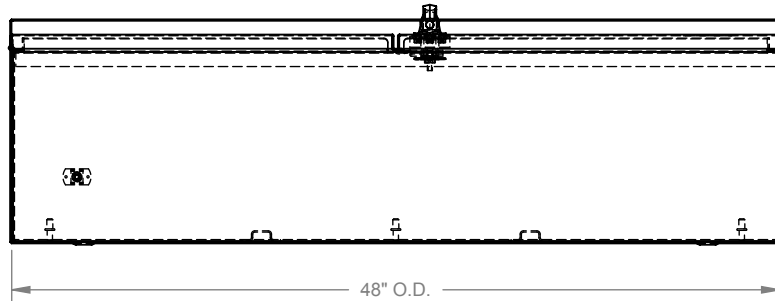
Brand Name: Milbank
Type: Hinge Cover
Special Features: Double Door
Application: Current Transformer Enclosure
Standard: UL Listed
Material: Steel with Powder Coat Finish
Cable Entry: No Knockouts
Mounting: Pad Mount, Wall Mount
NEMA Rating: Type 3R



Utility requirements may vary. Always consult the serving utility for their requirements prior to ordering or installing this equipment. This product must always be installed by a licensed electrician. Installation of this equipment may require local electrical inspector approval.


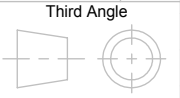


ITEM	QTY.	PART NUMBER	DESCRIPTION
1	1	1151322	BACK WELDMENT
2	1	1151323	FRONT WELDMENT, LEFT
3	1	1151324	FRONT WELDMENT, RIGHT
4	1	1004575	ASSY, 3PT LATCH, PADLCKBL
5	2	1093673	LATCH SLIDE
6	1	1003115	LABEL (UL)
7	2	1002169	BAG ASSY (NOT SHOWN)
8	1	1003099	CARTON (NOT SHOWN)



NOTES:

- 1.) BAG ASSY TO BE SHIPPED INSIDE OF ENCLOSURE.
- 2.) FOR CATALOG NUMBER WITH -PI SUFFIX INSTALL #1099839 USING BAG ASSEMBLIE(S) IN B.O.M.
- 3.) FOR CATALOG NUMBER WITH -WB SUFFIX INSTALL #1002253 USING BAG ASSEMBLIE(S) IN B.O.M.

Material:	14 GA. GALV. STEEL	 <p>KANSAS CITY, MO, USA</p>
Shear/Die No.:		
Finish:	MILBANK LIGHT GRAY	
Part Wt.:		
Paint Qty.:		LBS. EA. GRAMS
Tolerances: Unless Specified Otherwise X.X ±.1 X.XX ±.03 X.XXX ±.015 X" ±2"		Title: 48 x 36 x 12, 2 DOOR TYPE 3R, FREE STANDING Catalog No.: 483612-CT3R-() Customer: MILBANK STANDARD Drawing No.: 1006861
Scale:	NTS	Third Angle 
Checked By:		Date: 12/10/02
Approved By:		Sheet: 1 of 1

REV.	DATE	DESCRIPTION	ECO No.	BY
G1	1/25/11	UPDATE TO M2K (ECO #20233)	20233	D.F.
G2	10/6/11	UPDATE DRAWING NO. (ECO #21408)	21408	D.F.
H	11-27-13	1003099 WAS 1006861	24721	DL