



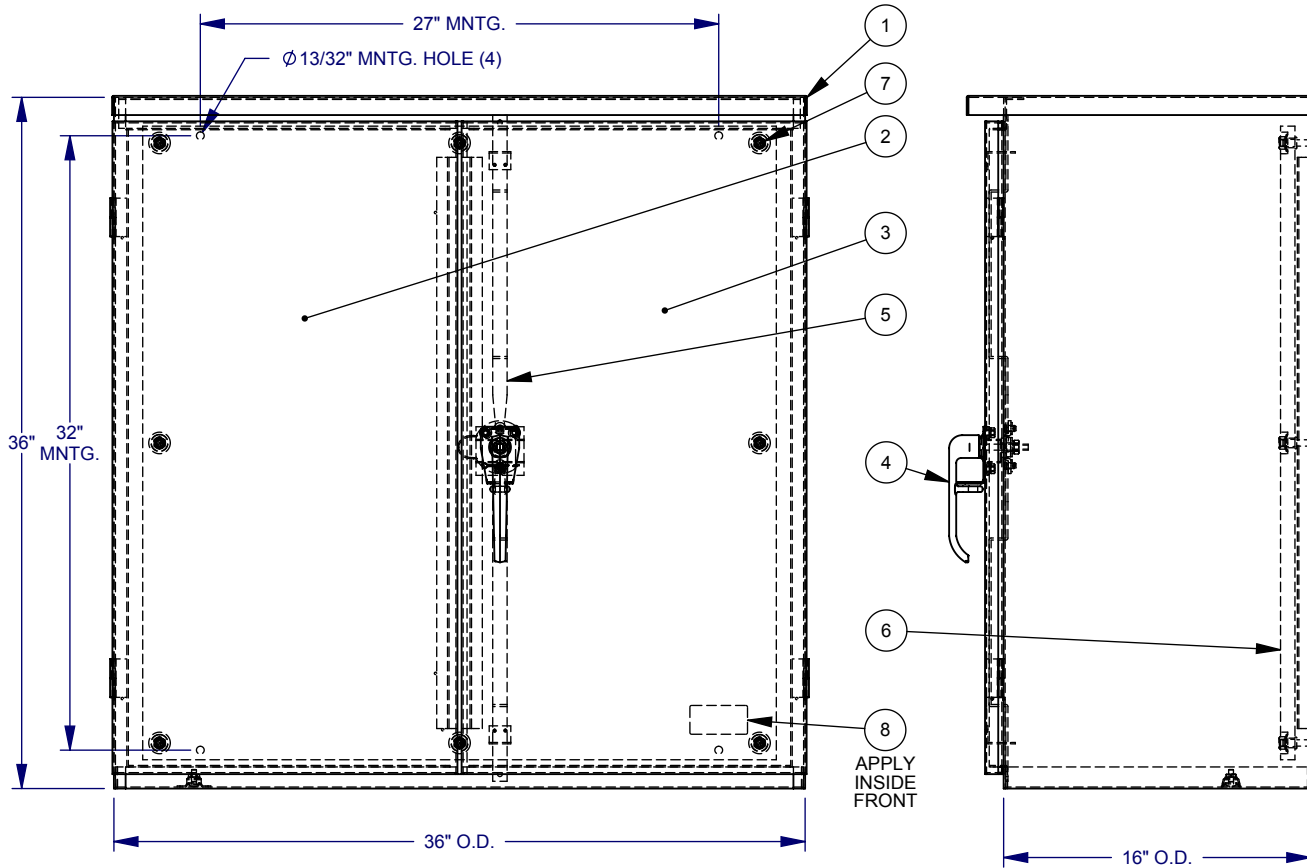
Catalog Number: 363616-CT3R
Item Description: CT3R HINGED PADLCKBL ENCL
UPC Code: 784572188198

Brand Name: Milbank
Type: Hinge Cover
Special Features: Double Door
Application: Current Transformer Enclosure
Standard: UL Listed
Material: Steel with Powder Coat Finish
Cable Entry: No Knockouts
Mounting: Pad Mount, Wall Mount
NEMA Rating: Type 3R



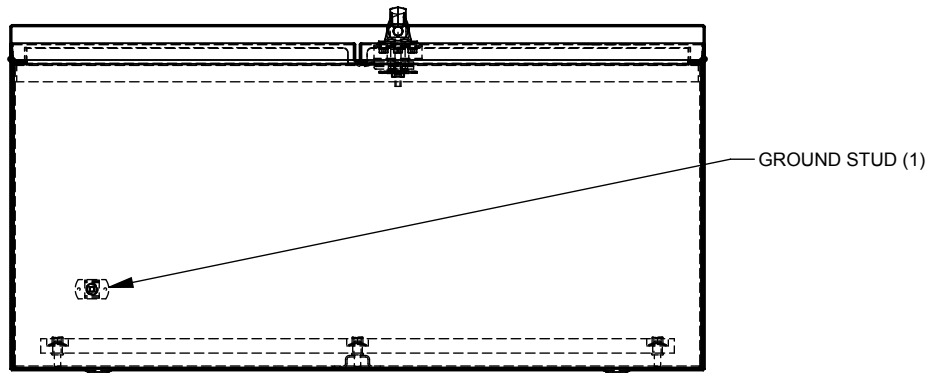
Utility requirements may vary. Always consult the serving utility for their requirements prior to ordering or installing this equipment. This product must always be installed by a licensed electrician. Installation of this equipment may require local electrical inspector approval.

CATALOG NO.	LABEL NO.
363616-CT3R-()	1003115
RC-363616-CT3R-()	1125418



ITEM	QTY.	PART NUMBER	DESCRIPTION
1	1	1157252	BACK WELDMENT
2	1	1004553	FRONT WELDMENT, LEFT
3	1	1004554	FRONT WELDMENT, RIGHT
4	1	1004575	ASSY, 3PT LATCH, PADLCKBL
5	2	1002051	LATCH SLIDE
6	S/C	1002359	PANEL, WOOD
7	S/C	1001273	NUT, 3/8-16 HEX W/BELL
8	1	(SEE CHART)	LABEL (UL)
9	S/C	1002169	BAG ASSY (NOT SHOWN)
10	1	1000889	CARTON (NOT SHOWN)


SUFFIX	1002359 QTY.	1001273 QTY.	1002169 QTY.
NONE	N/A	N/A	2
-WB	1	8	N/A



NOTES:

1.) BAG ASSY TO BE SHIPPED INSIDE OF ENCLOSURE.

REV.	DATE	DESCRIPTION	BY
D2	4/26/13	UPDATE FORMAT; CHART VERSIONS (ECO #23861)	D.F.

Material:	14 GA. GALV. STEEL	 <p>General Offices: Kansas City, MO</p>
Shear/ Die#:		
Finish:	MILBANK LIGHT GRAY	Title:
Part Wt.:		36 x 36 x 16, 2 DOOR TYPE 3R, FREE STANDING
Tolerances: Unless Specified Otherwise	X.X ±.1 X.XX ±.03 X.XXX ±.015 X* ±2*	Third Angle
Scale:	NTS	Checked By:
Drawn By:	D.F.	Approved By:
		Catalog No.:
		SEE CHART
		Customer:
		MILBANK STANDARD
		Drawing No.:
		1006579
		Date:
		4/26/13
		Sheet
		1 of 1