

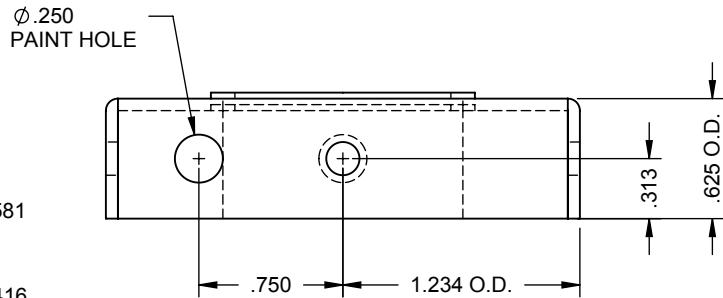
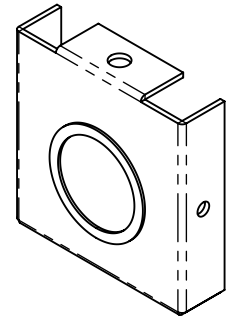
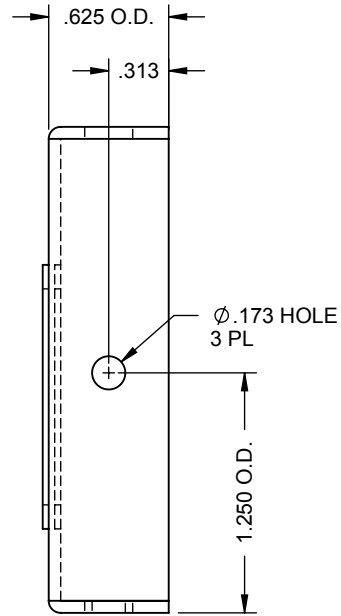
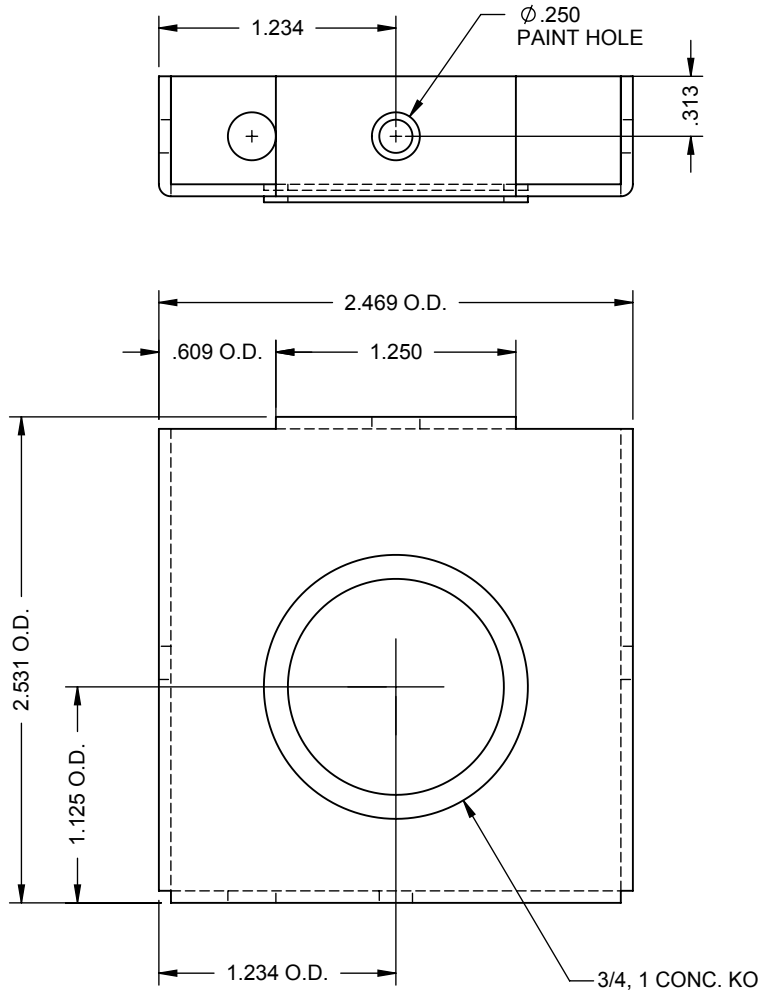


Catalog Number: 22GE
Item Description: WIREWAY ACCESSORY
UPC Code: 784572264137

Brand Name: Milbank
Type: Wireway End
Application: Wireway Accessory
Standard: UL Listed, Type 1
Cover Type: Screw Cover
Enclosure: Indoor Enclosure
Nominal Cross Section: 2x2
Material: Steel with Powder Coat Finish
Finish: ANSI 61 Gray
Knockouts: True



Utility requirements may vary. Always consult the serving utility for their requirements prior to ordering or installing this equipment. This product must always be installed by a licensed electrician. Installation of this equipment may require local electrical inspector approval.




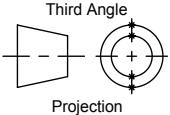
22GE = 1010845
 22GE-NK = 1004793
 22GE-NK-NP = 1007581
 SPE-22 = 1132997

RC-22GE = 1126578
 RC-22GE-NK = 1126416
 RC-22GE-NL-NP = 1126070

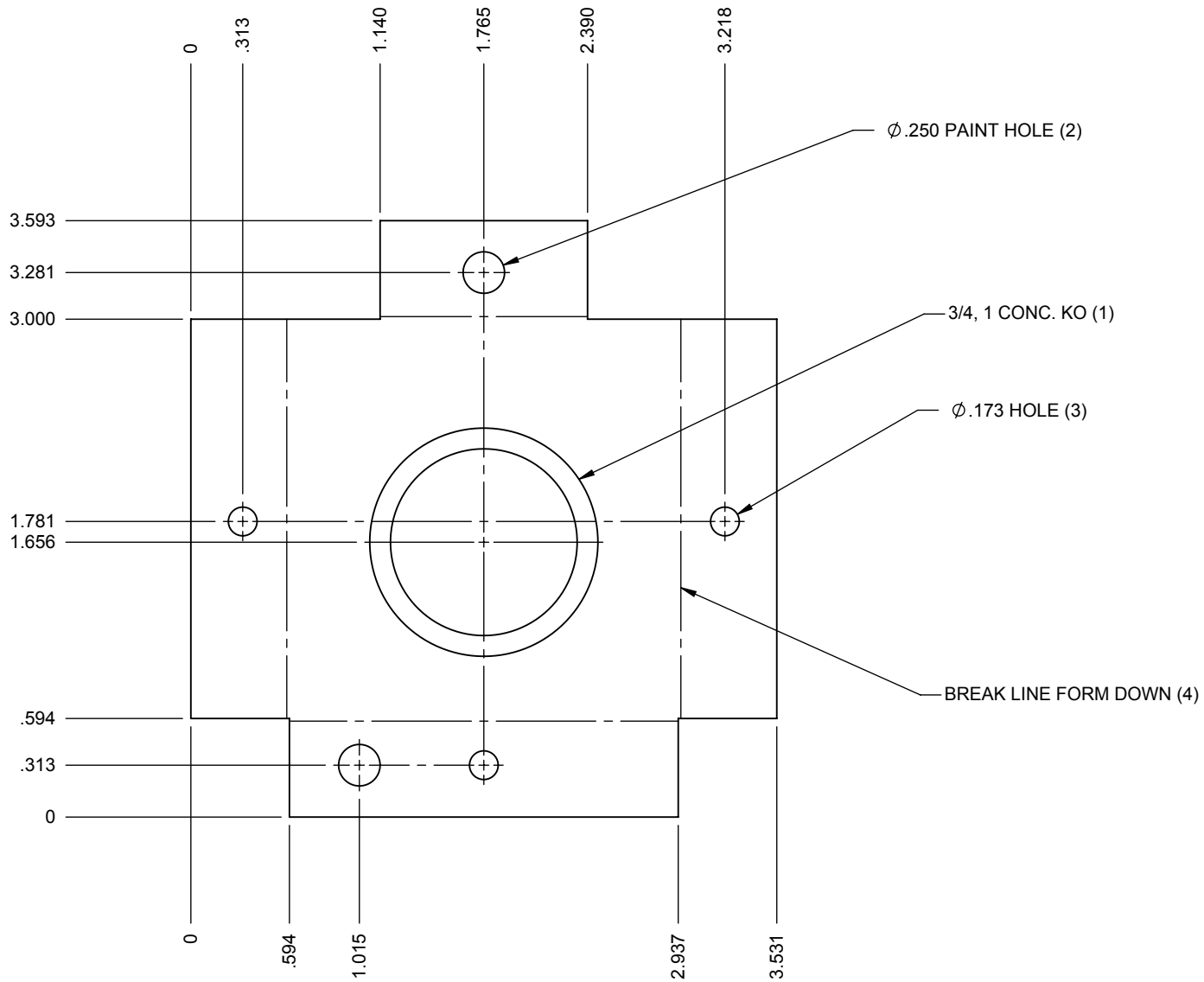
819255-SO = 1102454
 819255-SU = 1012179
 819255-NK = 1098480
 819255-SUNK = 1099480

NOTES:

- USE CARTON #1011750 (20 PER / CARTON) FOR SHIPPING.

Material:	16 GA. CRS 16 GA. GALVANIZED STEEL	 General Offices: Kansas City, MO
Finish:	ANSI 61 GRAY / UNPAINTED	
Tolerances: Unless Specified Otherwise X.X ±.1 X.XX ±.03 X.XXX ±.015 X* ±2*		Title: END COVER SCREW COVER WIREWAY Catalog No.: 22GE Customer: MILBANK STANDARD Drawing No.: 1010845
Third Angle  Projection		Scale: NTS Checked By: Drawn By: DR Approved By:
* 2-23-01 FIRST RELEASE - PDR 1785 A 3-2-01 ADDED SCREWS - PDR 1785		Date: 2-23-01 Sheet 1 of 2

*	2-23-01	FIRST RELEASE - PDR 1785	DR	A1	9/21/09	DELETED SCREWS; UPDATE TO M2K (ECO #18652)	D.F.
A	3-2-01	ADDED SCREWS - PDR 1785	DR				


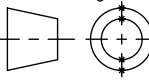


22GE = 1010845
 22GE-NK = 1004793
 22GE-NK-NP = 1007581
 SPE-22 = 1132997

RC-22GE = 1126578
 RC-22GE-NK = 1126416
 RC-22GE-NL-NP = 1126070

819255-SO = 1102454
 819255-SU = 1012179
 819255-NK = 1098480
 819255-SUNK = 1099480

- FLAT PATTERN -

Material:	16 GA. CRS 16 GA. GALVANIZED STEEL	 General Offices: Kansas City, MO
Finish:	ANSI 61 GRAY / UNPAINTED	
Tolerances: Unless Specified Otherwise X.X ±.1 X.XX ±.03 X.XXX ±.015 X° ±2°		Title: END COVER WIREWAY END COVER Catalog No.: 22GE Customer: MILBANK STANDARD Drawing No.: 1010845
Third Angle  Projection		Scale: NTS Checked By: Drawn By: DR Approved By:
* 2-23-01 FIRST RELEASE - PDR 1785 A 3-2-01 ADDED SCREWS - PDR 1785		Date: 2-23-01 Sheet 2 of 2

*	2-23-01	FIRST RELEASE - PDR 1785	DR	A1	9/21/09	DELETED SCREWS; UPDATE TO M2K (ECO #18652)	D.F.
A	3-2-01	ADDED SCREWS - PDR 1785	DR				