



Catalog Number: 121236-GSC3R-NK  
Item Description: N3R SCREW CVR GUTTER NK  
UPC Code: 784572101098

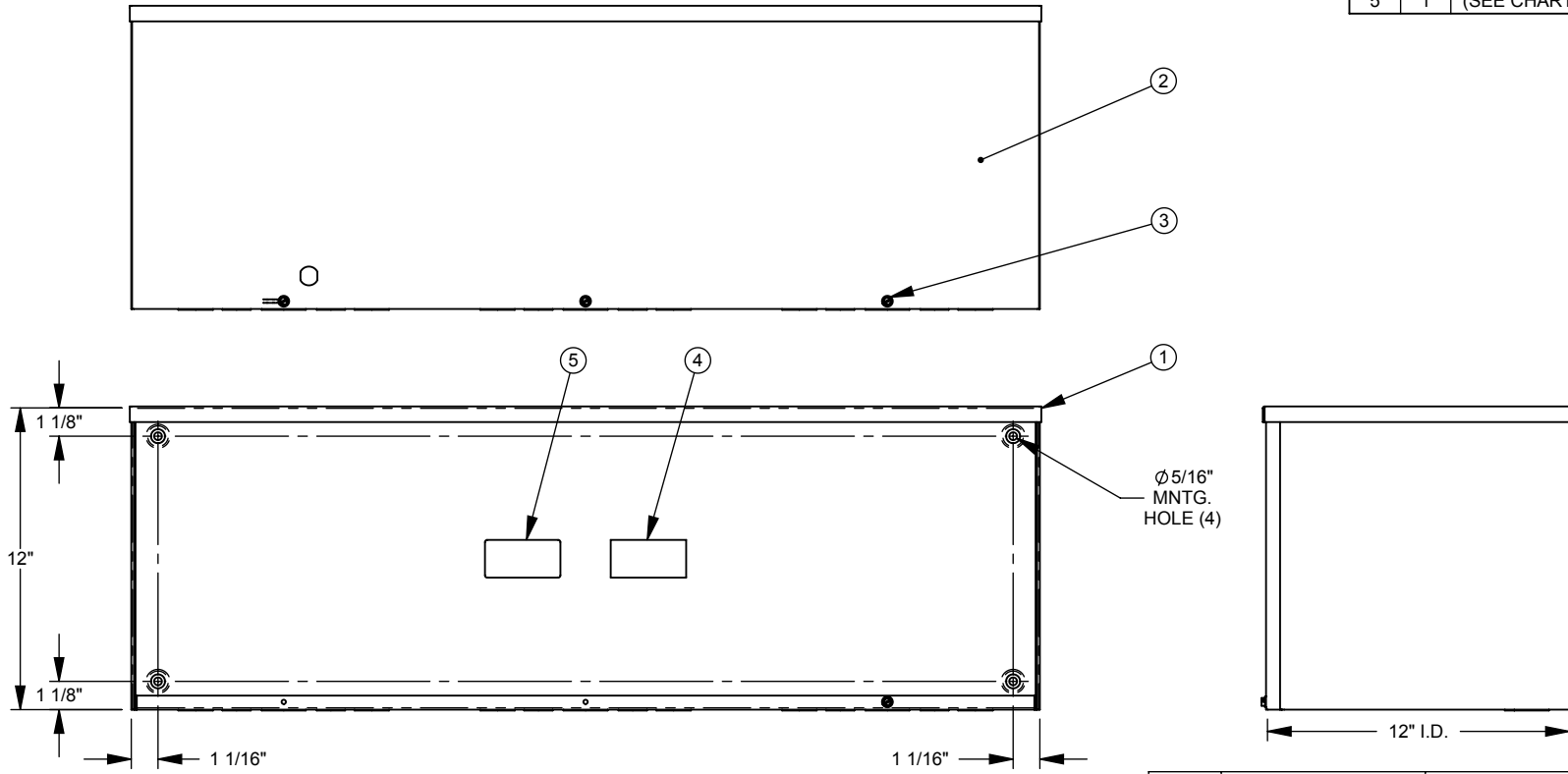
Brand Name: Milbank  
Type: Wiring Trough  
Special Features: Key Locking Cylinder Latch Provision,  
Sealing Eye Lance  
Application: Wireway  
Standard: UL Listed, Type 3R  
Cover Type: Screw Cover  
Enclosure: Outdoor Enclosure  
Nominal Cross Section: 12x12  
Straight Section Length: 36  
Material: Steel with Powder Coat Finish  
Finish: ANSI 61 Gray  
Knockouts: False



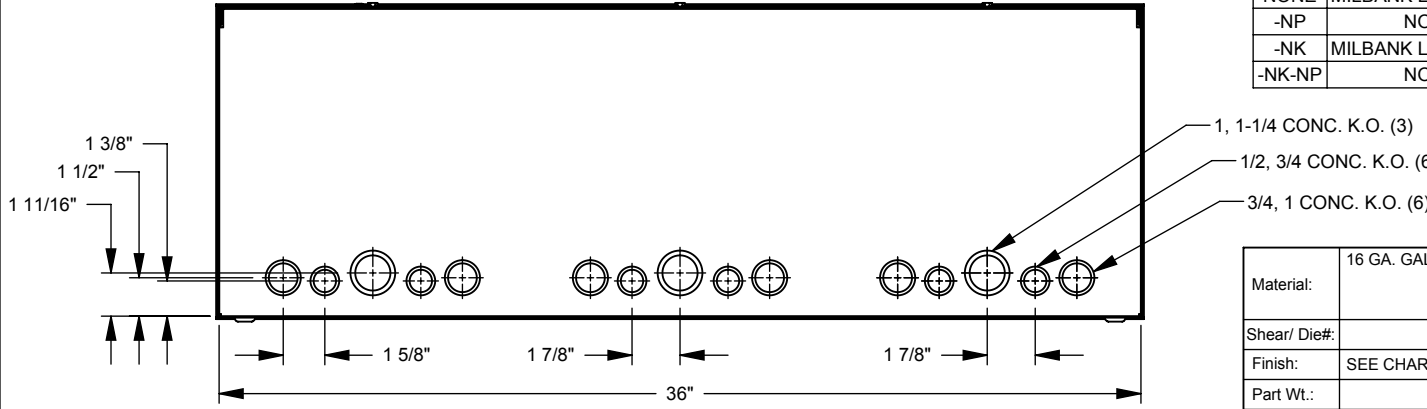
*Utility requirements may vary. Always consult the serving utility for their requirements prior to ordering or installing this equipment. This product must always be installed by a licensed electrician. Installation of this equipment may require local electrical inspector approval.*

CAT. NO.	U/L LABEL
121236-GSC3R-( )	1002943
RC-121236-GSC3R-( )	1125051
SPRSCG-121236-( )	1132575

ITEM	QTY.	PART NUMBER	DESCRIPTION
1	1	(SEE CHART)	BACK WELDMENT
2	1	(SEE CHART)	FRONT
3	3	1001290	SCREW, 10-32 X 5/16
4	1	1002884	LABEL RATING
5	1	(SEE CHART)	UL LABEL, WIREWAY




SUFFIX	FINISH	WELDMENT NO.	FRONT NO.	INSTALL KOS
NONE	MILBANK LIGHT GRAY	1163092	1163091	YES
-NP	NONE	1163094	1011068	
-NK	MILBANK LIGHT GRAY	1163093	1163091	NO
-NK-NP	NONE	1163095	1011068	



NEMA DWG.: #293

REV.	DATE	DESCRIPTION	BY
B2	1/31/13	REDRAW INTO SOLIDWORKS; UPDATE K.O. PATTERN (ECO #23490)	D.F.

Material:	16 GA. GALV. STEEL	 <p>General Offices: Kansas City, MO</p>
Shear/ Die#:		
Finish:	SEE CHART	Title: SCREW COVER WIREWAY NEMA TYPE 3R
Part Wt.:		Catalog No.: SEE CHART
Tolerances: Unless Specified Otherwise X.X ±.1 X.XX ±.03 X.XXX ±.015 X" ±2"		Customer: MILBANK STANDARD
Scale: NTS Drawn By: D.F.		Drawing No.: <b>1004790</b> Date: 1/31/13
Checked By: Approved By:		Sheet 1 of 1