

## FEATURES & SPECIFICATIONS

**INTENDED USE** — Sharing many popular Z Series elements, this solid-state strip offers long maintenance-free life, several color temperatures, lumen outputs and lengths. Ideal for new construction and retrofit applications in T5 and T8 lengths. Ideal for uplight and downlight in commercial, retail, manufacturing, warehouse, cove and display applications.

**CONSTRUCTION** — Compact-design channel and cover are formed from code-gauge, cold-rolled steel. Improved easy "snap 'n' lock" end plates allow for quick attachment.

Finish: Paint options include high-gloss, baked white enamel (WH), galvanized (GALV), matte black (MB) and smoke gray (SKGY). Five-stage iron phosphate pre-treatment ensures superior paint adhesion and rust resistance.

**OPTICS** — Replaceable medium diffuse lens (up to 10%) offer ingress protection from debris.

**ELECTRICAL** — Utilizes high-output LEDs integrated on a two-layer circuit board, ensuring cool-running operation. Internal pluggable wiring harness prevents wiring errors. Electronic LED driver is rated for 75 input watts maximum (see Operational Data on page two for actual wattage consumption), **multi-volt input and 0-10V dimming standard**. This fixture is designed to withstand a maximum line surge of 1.5kV at 0.75kA combination wave for indoor locations, for applications requiring higher level of protection additional surge protection must be provided.

LEDs provide 83 CRI at 3000 K, 3500 K, 4000 K or 5000 K.

Lumen output ranges from 2100 to 6000 lumens. Beam angle is 110 FWHM (full width at half maximum).

Lumen output up to 1,300 lumens per foot. In 86°F (30°C) ambient environments, L70 is predicted to be 100,000+ hours, L85 at 44,000 hours. Luminaire should be installed in applications where ambient temperatures do not exceed 86°F (30°C). Ambient temperatures that exceed 86°F (30°C) will result in reduced life and will void warranty.

**INSTALLATION** — Tool-less channel cover for easy installation.

Fixture may be surface, pendant or stem mounted. Three-point aligner locks in place for easy continuous row mounting.

**LISTINGS** — UL Listed. CSA certified to US and Canadian safety standards. For use in damp locations between -4°F (-20°C) and 86°F (30°C).

**WARRANTY** — 5-year limited warranty. Complete warranty terms located at [www.acuitybrands.com/CustomerResources/Terms\\_and\\_conditions.aspx](http://www.acuitybrands.com/CustomerResources/Terms_and_conditions.aspx)

**Note:** Actual performance may differ as a result of end-user environment and application.

All values are design or typical values, measured under laboratory conditions at 25 °C.

Specifications subject to change without notice.

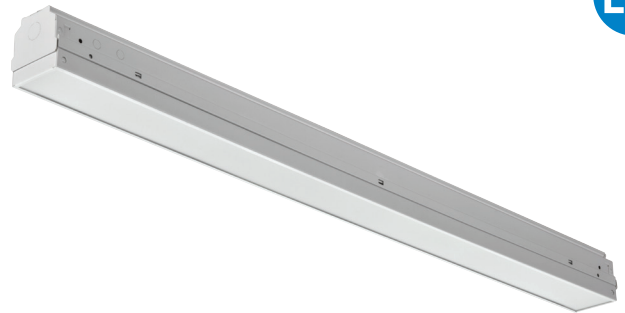
|                |
|----------------|
| Catalog Number |
| Notes          |
| Type           |



Lensed LED Striplight

# ZL2N

24" and 48" Lengths



### ORDERING INFORMATION

Lead times will vary depending on options selected. Consult with your sales representative.

**Example:** ZL2N L48 3000LM MDD MVOLT 40K 80CRI WH

| ZL2N                       |         |                             |              | MDD                    |   |                   |              |  |  |         |  |              |  |  |  |
|----------------------------|---------|-----------------------------|--------------|------------------------|---|-------------------|--------------|--|--|---------|--|--------------|--|--|--|
| Series                     | Length  | Nominal lumens <sup>1</sup> |              | Diffuser               | Voltage                                       | Color temperature |              | Color rendering index  |  | Options |  | Paint finish |  |  |  |
| ZL2N Lensed LED striplight | L24 24" | 2000LM                      | 2,000 lumens | MDD Medium diffuse     | MVOLT 120-277V<br>HVOLT 347-480V <sup>2</sup> | 40K 4000 K        | 80CRI 80 CRI | PLR Plug-in wiring <sup>3</sup><br>PLR1LVG Plug-in wiring low voltage <sup>4</sup><br>BSL722 Emergency battery pack <sup>5,6</sup> | WH White<br>GALV Galvanized<br>MB Matte black<br>SKGY Smoke gray |         |  |              |  |  |  |
|                            | L46 46" | 2000LM                      | 2,000 lumens |                        |   | 30K 3000 K        | 90CRI 90 CRI |  |  |         |  |              |  |  |  |
|                            | L48 48" | 3000LM                      | 3,000 lumens | ZSD Zebra striped lens | 35K 3500 K                                    |                   |              |  |  |         |  |              |  |  |  |
|                            |         | 5000LM                      | 5,000 lumens |                        |   | 50K 5000 K        |              |  |  |         |  |              |  |  |  |

| Accessories: Order as separate catalog number. |   |
|--|---|
| ZACVH  | Aircraft cable with hook                          |
| HC36   | Hanger chain, 36"                                 |
| ZSPRG  | For 15/16" T-grid only                            |
| LSXR   | Sensor Switch® LSXR occupancy sensor <sup>3</sup> |

| Replacement Lens |   |
|------------------|---|
| LZL2 XX MDIF     | Medium-diffuse lens. Specify length 24 or 48 (example: LZL2 24 MDIF) <sup>7</sup> |

### Notes

- See Operational Data on page 2 for actual lumens.
- Not available with L24, 24" fixture.
- See ordering information on page 3.
- Use ZSPRG for surface mounting when order this option.
- Specify voltage, 120 or 277.
- Output is 1400 lumens.
- XX denotes length.

# ZL2N LED Striplight

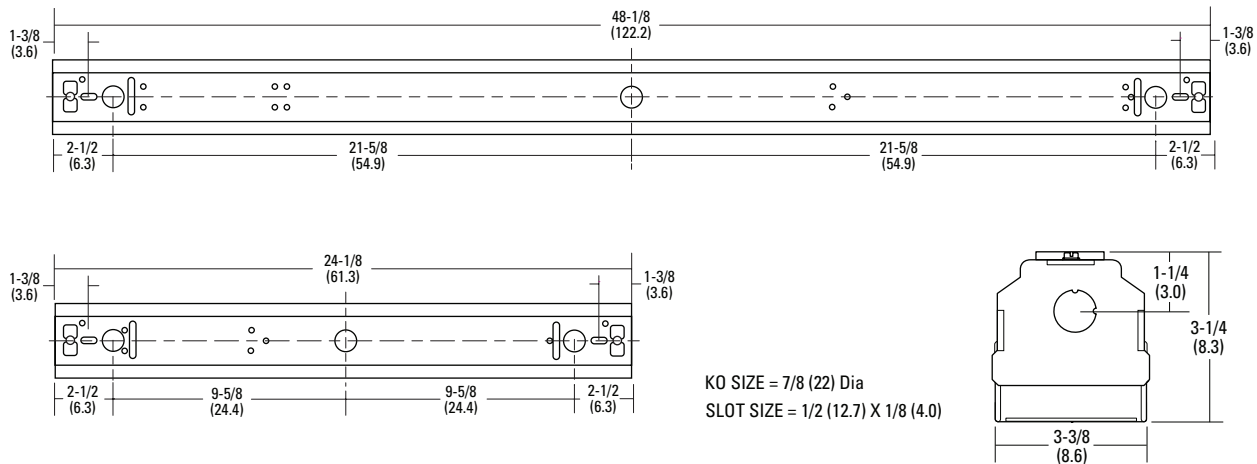
| OPERATIONAL DATA      |                 |   |   |   |   |                     |   |
|-----------------------|-----------------|---|---|---|---|---------------------|---|
| Nominal lumen package | Length (inches) | Delivered lumens 3000 K CCT @ 77°F (25°C) ambient temperature | Delivered lumens 3500 K CCT @ 77°F (25°C) ambient temperature | Delivered lumens 4000 K CCT @ 77°F (25°C) ambient temperature | Delivered lumens 5000 K CCT @ 77°F (25°C) ambient temperature | Wattage @ 120V/277V | Comparable light source                 |
| 2,000LM               | 24              | 2,009   | 2,092   | 2,249   | 2,457   | 34W/32W             | 1-lamp 32W T8, 1-lamp 54W T5HO, 50W HID |
| 2,000LM               | 46 or 48        | 1,830   | 1,905   | 2,048   | 2,237   | 32W/31W             | 1-lamp 32W T8, 1-lamp 54W T5HO, 50W HID |
| 3,000LM               | 46 or 48        | 2,835   | 2,952   | 3,173   | 3,467   | 42W/41W             | 2-lamp 32W T8, 1-lamp 54W T5HO, 70W HID |
| 5,000LM               | 46 or 48        | 4,274   | 4,450   | 4,784   | 5,226   | 72W/70W             | 2-lamp 32W T8, 1-lamp 54W T5HO, 70W HID |

| PROJECTED LUMEN MAINTENANCE                              |   |        |        |        |        |        |        |         |
|--|---|--------|--------|--------|--------|--------|--------|---------|
| Operating hours  | 0 | 10,000 | 20,000 | 30,000 | 40,000 | 50,000 | 60,000 | 100,000 |
| Lumen maintenance factor                                 | 1 | 0.9466 | 0.9173 | 0.8888 | 0.8613 | 0.8346 | 0.8088 | 0.7131  |
| Based on incomplete LM-80 data. Update expected Q1 2014. |   |        |        |        |        |        |        |         |

## DIMENSIONS

All dimensions are shown in inches (centimeters) unless otherwise noted.  
Specifications subject to change without notice.

| PALLET DIMENSIONS |                    |                     |   |
|-------------------|--------------------|---------------------|---|
| Length            | Approximate weight | Fixtures per pallet | Approximate pallet dimensions (L x W x H) |
| L24               | 6 lbs              | 408                 | 46" x 46" x 32-11/18"                     |
| L46               | 8 lbs              | 178                 | 46" x 46" x 31-1/3"                       |
| L48               | 8 lbs              | 178                 | 46" x 46" x 31-1/3"                       |
| L92               | 16 lbs             | 176                 | 98-1/2" x 46" x 31-1/16"                  |
| L96               | 16 lbs             | 176                 | 98-1/2" x 46" x 31-1/16"                  |



## PHOTOMETRICS

Please see [www.lithonia.com](http://www.lithonia.com).

## PRODUCT INFORMATION

Advanced plug-in system with three-circuit capability. Available on industrial and strip products and a variety of architectural products mounted in continuous rows. 1, 2, 3 and 4-lamp fixtures. PLR22 (2-circuit) and PLR33 (3-circuit) crossover harness switches hot circuit serving next fixture in row. Reduces fixture types on job for alternating circuit applications (see example below.)

Easy one-step installation, saves up to 35% on labor costs. Expanded switching flexibility helps save energy.

Rows can be 50% longer with two-circuit systems. Polarized, lock-together nylon connectors prevent miswiring in the field. #12 THHN conductor, rated 600V, 90°C. White neutral wire included. Grounding accomplished by fixture in-row connectors.

CSA certified systems available with up to 2 circuits. G ground required.

Note: Specifications subject to change without notice.



# PLR

Advanced 3-Circuit Plug-In

**ORDERING INFORMATION** Lead times will vary depending on options selected. Consult with your sales representative.

| Series | Number of hot wires               | Branch circuits                               | Dimming                | Ground                       |
|--------|-----------------------------------|---|------------------------|------------------------------|
| PLR    | (blank) Not required for 22 or 33 | <u>Circuits to which ballast is connected</u> | LV Low-voltage dimming | (blank) No ground in PLR     |
| PLR22  | 1 Black                           | (blank) Not required for 22 or 33             |                        | G Ground. Maximum 2 circuits |
| PLR33  | 2 Black and red                   | A Black wire                                  |                        |                              |
|        | 3 Black, red and blue             |   |                        |                              |

### Typical Applications

- Multiple-circuit and single-circuit for longer continuous rows
- Multiple-circuit with alternating fixtures on separate circuits, 2-circuit (PLR 22) and 3-circuit (PLR 33)
- Multiple circuit with night-lights located along row as desired

| TYPICAL APPLICATIONS |           |           |           |           |           |           |           |           |           |           |
|----------------------|-----------|-----------|-----------|-----------|-----------|-----------|-----------|-----------|-----------|-----------|
| PLR 3 C              | PLR 3 C   | PLR 3 C   | PLR 3 C   | PLR 2 B   | PLR 2 B   | PLR 2 B   | PLR 2 B   | PLR 1     | PLR 1     | PLR 1     |
| (All PLR22)          |           |           |           |           |           |           |           |           |           |           |
| Circuit A            | Circuit B | Circuit A | Circuit B | Circuit A | Circuit B | Circuit A | Circuit B | Circuit A | Circuit B | Circuit A |
| (All PLR33)          |           |           |           |           |           |           |           |           |           |           |
| Circuit A            | Circuit B | Circuit C | Circuit A | Circuit B | Circuit C | Circuit A | Circuit B | Circuit C | Circuit A | Circuit B |
| PLR 3 A              | PLR 3 A   | PLR 3 A   | PLR 3 C   | PLR 3 B   | PLR 3 B   | PLR 3 B   | PLR 3 C   | PLR 3 A   | PLR 3 A   | PLR 3 A   |

## PRODUCT INFORMATION

A standard occupancy time delay is also present to ensure lights turn off (once minimum on timer has also elapsed) if no occupancy is detected.

This timer is factory set at 10 minutes to promote energy savings, but is adjustable between 30 seconds and 30 minutes. These adjustments may be done through the unit's push-button.

### FEATURES

- Four interchangeable lenses - high mount 360°, low mount 360°, high mount aisleway, and small motion 360°.
- Integrated mounting bracket drops lens down 3" from chase nipple - no bracket accessory required.
- 100% digital PIR detection - provides excellent RF immunity

Note: Specifications subject to change without notice.



# LSXR

Single Relay

sensorswitch

**ORDERING INFORMATION** Lead times will vary depending on options selected. Consult with your sales representative.

**Example: LSXR 10 ADC HVOLT 30M**

| LSXR   |  | Lens option |                     |     |                                      | Dimming/photocell |   |
|--------|--|-------------|---------------------|-----|--------------------------------------|-------------------|---|
| Series | Passive Infrared Indoor Occupancy Sensor | (blank)     | No lens             | 610 | High and low mount 360°              | (blank)           | None  |
|        |  | 6           | High mount, 360°    | 650 | High mount 360° and aisleway         | HL                | High/low occupancy operation                                      |
|        |  | 10          | Low mount, 360°     | 3PK | High and low mount 360° and aisleway | P                 | Switching photocell (on/off)                                      |
|        |  | 50          | High mount aisleway | 4PK | All lenses                           | ADC               | Dimming and switching photocell                                   |
|        |  | 9           | Small motion, 360°  |     |                                      | ANL               | Dimming and switching photocell with high/low occupancy operation |

| Voltage                     | Max dim level  | Min dim level                            | Lead length | Temp humidity      | Default time delay                                   |
|-----------------------------|----------------|--|-------------|--------------------|--|
| (blank) 120-277 VAC (MVOLT) | (blank) 10 VDC | (blank) Minimum dimming level of ballast | (blank) 14" | (blank) None       | (blank) 10 minutes (with minimum 15 minutes on time) |
| HVOLT 347-480 VAC           | 9H 9 VDC       | 1V 1 VDC                                 | 42L 42"     | LT Low temperature | 5M 5 minutes (LED only)                              |
|                             | 8H 8 VDC       | 2V 2 VDC                                 |             |                    | 15M 15 minutes                                       |
|                             | 7H 7 VDC       | 3V 3 VDC                                 |             |                    | 20M 20 minutes                                       |
|                             |                | 4V 4 VDC                                 |             |                    | 30M 30 minutes                                       |
|                             |                | 5V 5 VDC                                 |             |                    |  |
|                             |                | 6V 6 VDC                                 |             |                    |  |

For additional information see [www.lithonia.com](http://www.lithonia.com)

## OPTIONS AND ACCESSORIES

The Z Series fixture offers numerous options for almost every electrical and optical component, including a long list of field-installable accessories.

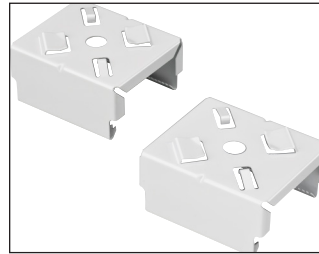


### HANGER CHAIN

36" chain with Y hanger.

Order as:

HC36



### Z SPRING HANGER

Snap 'n' lock design requires no fasteners and can be used on T-grid ceiling or universal mounting systems.

Order as:

ZSPRG



### ZACVH HANGER

10' Aircraft cable with Y hanger.

Order as:

ZACVH