

Installation Instructions

For Juno T, TU, R and V series Trac connectors

These connectors are intended for use with Juno T, TU, R or V Trac systems only. They are to be used with the series of Trac corresponding to the connector series, i.e. "T" connectors are used with "T" series Trac, etc.

The diagrams at left are for illustrative purposes and do not represent a specific connector.

POLARITY

All Trac components are both mechanically and visually polarized to assure proper connections and to simplify installation.

Trac face has polarity line which indicates positive side "P".

Trac connectors have embossed arrow which must point to Trac polarity line when installed.

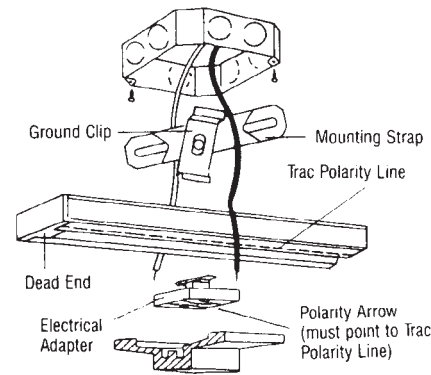
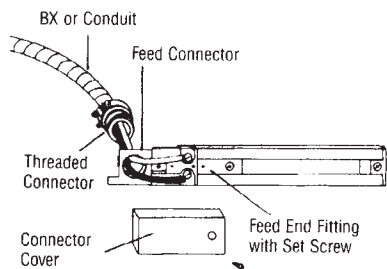
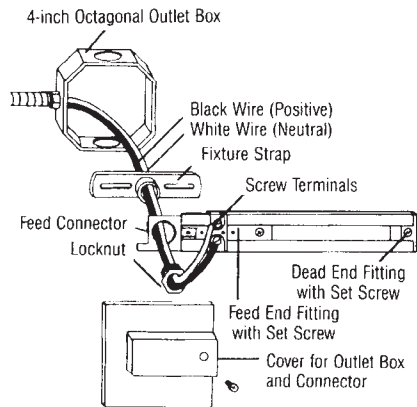
Trac Electrical Feeds

For electrical feed at outlet box.

1. Make sure that power is OFF!
2. Attach fixture strap to outlet box. (For adjustable, "T" and "X" connectors a T27 cover plate is required).
3. Insert feed connector fully into Trac with arrow pointing toward Trac polarity line and secure with setscrew.
4. Attach Trac to ceiling following instructions supplied with the Trac section.
5. Secure feed connector to fixture strap with lock nut and nipple provided.
6. Pull wire out of outlet box through connector opening.
7. Fasten positive wire to screw terminal marked "P" for single circuit Trac or to screw terminal marked "P₁" for two circuit Trac (TU series). For two circuit Trac only, fasten the second positive wire to screw terminal marked "P₂".
8. Fasten white wire (neutral) to screw terminal marked "N".
9. Replace feed connector cover and secure with screw.

For electrical feed from above away from outlet box.

1. Make sure that power is OFF!
2. Remove any knockouts, if required, before attaching conduit or BX. Secure conduit or BX to the Trac connector with proper fittings.
3. Insert feed connector fully into Trac with arrow pointing toward Trac polarity line and secure with set screw.
4. Attach Trac to ceiling following instructions supplied with the Trac section.
5. Fasten positive wire to screw terminal marked "P" for single circuit Trac or to screw terminal marked "P₁" for two circuit Trac (TU series). For two circuit Trac only, fasten the second positive wire to screw terminal marked "P₂".
6. Fasten white wire (neutral) to screw terminal marked "N".
7. Replace feed connector cover and secure with screw.



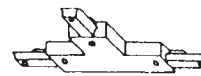
Trac Electrical Feeds

For electrical feed from above utilizing a floating electrical feed.

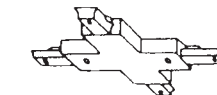
1. Make sure power is OFF!
2. Fasten mounting strap and ground clip assembly to outlet box. Connect ground wire.
3. Locate Trac below outlet box in desired position, then:
 - a) Rotate ground clip to accept Trac and push Trac into clip.
 - b) Fasten Trac to ceiling following instructions supplied with the Trac section.
 - c) Trac ends must be terminated with either a dead end or a connector.
4. Insert electrical adapter into Trac—rotate 90° to locked position to make electrical contact.
 - a) Arrow on the electrical adapter must point to the Trac polarity line when correctly installed.
 - b) Center line of electrical adaptor must be set on center line of outlet box.
5. Pull positive wire from outlet box, and attach to screw terminal marked "P" (Positive). Pull white wire (neutral), on opposite side of Trac, and attach to screw terminal marked "N" (neutral).
6. Push excess wire back into outlet box—wire must hug Trac side. Install cover and secure with screw.



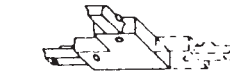
Mini-Straight Connector



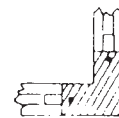
"T" Connector



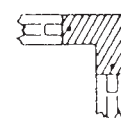
"X" Connector



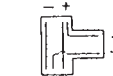
Adjustable Connector



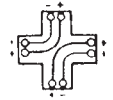
Angle Left



Angle Right



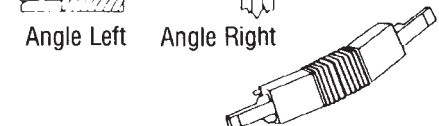
Factory Wiring



Factory Wiring



Straight



Flexible Connector

Trac Connectors

Mini Straight Connector

Joins 2 Trac sections end to end.

"T" Connector

Joins 3 Trac sections.

"X" Connector

Joins 4 Trac sections at 90° angles.

Adjustable Connector

Joins 2 Trac sections to make a 90° angle or straight run. Is factory assembled to make a 90° turn. If opposite angle or straight connection is required, cover must be removed... the connector then rotated to new position and cover replaced. Both a right angle and straight cover are supplied.

Flexible Connector

For inside and outside corners and for other than 90° angles.

To attach the connectors:

1. Make sure that power is OFF!
2. Insert connector fully into Trac with arrow pointing toward Trac polarity line. Secure with setscrew.
3. Attach Trac to ceiling following instructions supplied with the Trac section.

JUNO lighting inc.

P.O. Box 5065 • 1300 S. Wolf Road
Des Plaines, IL 60017-5065

P815

JUNO lighting inc.

P.O. Box 5065 • 1300 S. Wolf Road
Des Plaines, IL 60017-5065

P815