

OVERVIEW

The nWSX LV / nWSX PDT LV series nLight wall switch occupancy sensor provides a simple control solution for a small room, in particular one utilizing nLight enabled digital luminaires. Capable of detecting small motion up to 20 ft (6.10 m), this sensor is perfect for private offices, private rest rooms, copy rooms, closets or any small enclosed space. The nWSX LV uses Passive Infrared (PIR) detection while the nWSX PDT LV utilizes PIR/Microphonics Dual Technology (PDT). This stylish sensor can be programmed locally, via the front push-button(s), or remotely via the nLight SensorView software. The nWSX LV/nWSX PDT LV includes an integrated photocell (inhibit only – disabled by default).

FEATURES

- 100% digital PIR detection, vandal resistant lens standard, includes wall plate (screwless sold separate)
- Push-button programmable, adjustable time delays, multiple operating modes
- Multiple nWSX sensors or WallPods can be used in 3 way(or greater) configurations w/o traveler wires
- Photocell standard (inhibit only – disabled by default) – Not available in night light versions
- Broadcasts occupancy, photocell, and switch information over a local and/or global nLight channel
- Remotely firmware upgradeable

CONTROL MODES

A control zone with an nWSX LV / nWSX PDT LV can operate in several modes:

1. Auto On / Auto Off (i.e. Fully Automatic)
2. Manual On (initial state) to Override On (with expiration timer)
3. Auto On (initial state) to Override On (with expiration timer)
4. Manual On / Automatic Off (i.e. Semi-Automatic)
5. Manual On (initial state) to Fully Automatic
6. Predictive Off Switch (returns zone to auto-on unless person remained in room after an off switch press)

*See MLO operation chart on page 2.

SPECIFICATIONS

Size: 2.74" H x 1.68" W x 1.63" D
 Weight: 5 oz
 Mounting: Single gang switch box or low voltage ring
 Bus power consumption: < 3mA
 Wires: None
 Temperature Rating: 0°C-60°C

RoHS Compliant, Title 24 component

Warranty

Five-year limited warranty. Complete warranty terms located at:
www.acuitybrands.com/CustomerResources/Terms_and_conditions.aspx

Note: Actual performance may differ as a result of end-user environment and application.

Specifications subject to change without notice.



nLight®

nWSX LV
 nWSX PDT LV
 Low Voltage Wall Switch
 Occupancy Sensor



nWSX LV
nWSX PDT LV



nWSX LV NL
nWSX PDT LV NL



nWSX LV DX
nWSX PDT LV DX



This item is an A+ capable component, which has been designed and tested to provide out-of-the-box luminaire compatibility with simple commissioning, when included as part of an A+ Certified™ Solution.

To learn more about A+, visit www.acuitybrands.com/aplus.



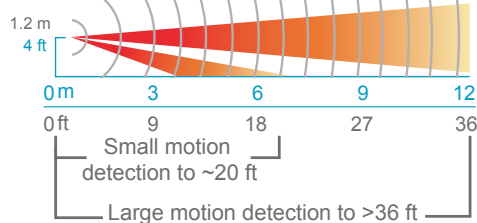
ORDERING INFORMATION

nWSX		Example: nWSX LV WH LT			
Series		Night Light or Dimming		Color	Temp/Humidity
nWSX LV	Passive Infrared	[blank]	None	WH	White
nWSX PDT LV	Dual Technology	NL	Integrated night light	IV	Ivory
		DX	Raise/Lower dim control	GY	Gray
				AL	Lt. Almond
					[blank] Standard
					LT Low temp

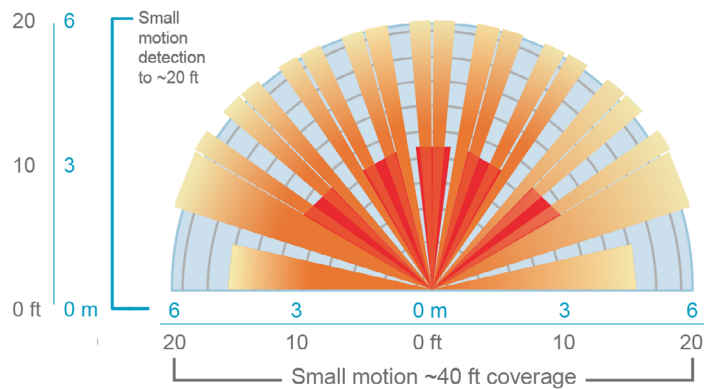
COVERAGE PATTERN

- Small Motion (e.g. hand movements) detection up to 20 ft (6.10 m)
- Large motion (e.g. walking) detection greater than 36 ft (10.97 m)
- Wall to Wall Coverage
- Passive Dual Technology (Microphonics) provides overlapping detection of human activity over the complete PIR coverage area. Advanced filtering is utilized to prevent non-occupant noises from keeping the lights on.

SIDE VIEW



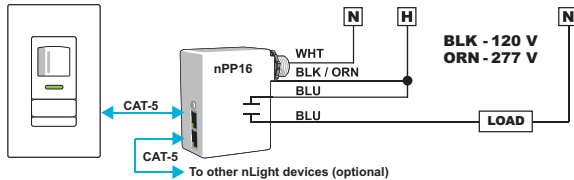
TOP VIEW



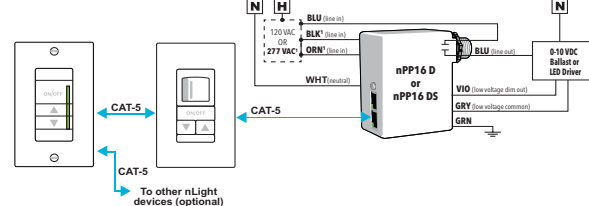
TYPICAL WIRING DIAGRAMS

Sensor power is provided via the CAT-5e connection to an nLight power pack/supply, nLight enabled digital luminaire, or nLight Bridge. T568B pin/pair assignments is recommended for CAT-5e cables.

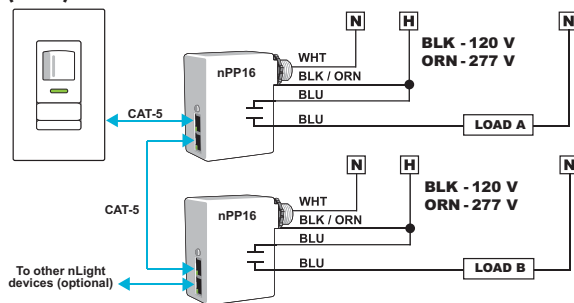
SINGLE LOAD SWITCHING



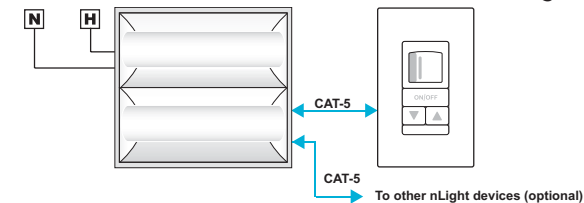
3-WAY SWITCHING AND DIMMING CONTROL



BI-LEVEL SWITCHING USING MULTI-LEVEL OPERATING MODE (MLO)



WIRING to nLIGHT ENABLED DIGITAL LUMINAIRE (e.g. RTLED)



NOTES:

- nLight enabled fixture must have **nIO LEDG/nIO EZ PH** for standalone operation
- Luminaires with **nIO LEDG ER/nIO EZ PH ER** require bus power from another device
- Provides on/off and continuous raise/lower dimming operation by default. For bi-level operation only program **nWSX LV / nWSX PDT LV** for Multi-Level Operating Mode (**MLO**)

MLO OPERATIONAL MODES

Additionally, an **nWSX LV / nWSX PDT LV** can be set to function in Multi-Level Operating Mode (**MLO**) which enables the user to select from multiple on/off lighting states using just the unit's single on/off button. This mode is designed specifically for bi-level applications and eliminates user confusion created when wall stations have multiple buttons. Several different transition sequences are available in order to comply with energy codes or user preference. Depending on the sequence selected and initial lighting state, every subsequent button push steps through states according to below table. **MLO** sequences are also available that enable high/low or low/high step operation via any nLight dimming output.

Button Press #	2 State (Bi-Level) Sequence		2 State - Alternating Sequence		3 State Sequence	
	Load A	Load B	Load A	Load B	Load A	Load B
1	On	Off	On	Off	On	Off
2	On	On	Off	On	Off	On
3	Off	Off	Off	Off	On	On
4					Off	Off

nWSX (PDT) LV - TN-408-01