

Gotham Architectural Downlighting  
LED Downlights

**6" Evo®  
Downlight**

Solid-State Lighting



FEATURES

**OPTICAL SYSTEM**

- Self-flanged or flangeless semi-specular, matte-diffuse or specular finishing trim
- Patented Bounding Ray™ optical design (U.S. Patent No. 5,800,050)
- 45° cutoff to source and source image
- Top-down flash characteristic
- Polycarbonate lens integral to light engine

**MECHANICAL SYSTEM**

- 16-gauge galvanized steel construction; maximum 1-1/2" ceiling thickness
- Telescopic mounting bars maximum of 32" and minimum of 15", preinstalled, 4" vertical adjustment
- Toolless adjustments post installation
- Junction box capacity: 8 (4 in, 4 out ) 12AWG rated for 90°C
- Light engine and driver accessible through aperture
- Injection molded mud ring included with flangeless trims. Ships separately. Installs independently of the mounting frame to reduce cracks in plaster due to vibration.

**ELECTRICAL SYSTEM**

- Fully serviceable and upgradeable lensed LED light engine
- 70% lumen maintenance at 60,000 hours
- Tested according to LM-79 and LM-80 standards
- Overload and short circuit protected
- 2.5 SDCM; 85 CRI typical, 90+ CRI optional

**LISTINGS**

- Fixtures are CSA certified to meet US and Canadian standards; wet location, covered ceiling. ENERGY STAR® certified product.

**WARRANTY**

- 5-year limited warranty. Complete warranty terms located at: [www.acuitybrands.com/CustomerResources/Terms\\_and\\_conditions.aspx](http://www.acuitybrands.com/CustomerResources/Terms_and_conditions.aspx)

Note: Actual performance may differ as a result of end user environment and application. All values are design or typical values, measured under laboratory conditions at 25 °C.

ORDERING INFORMATION



A+ Capable options indicated by this color background.

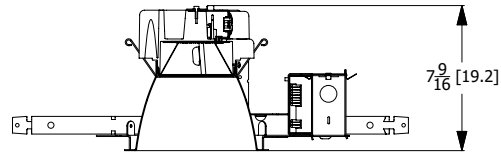
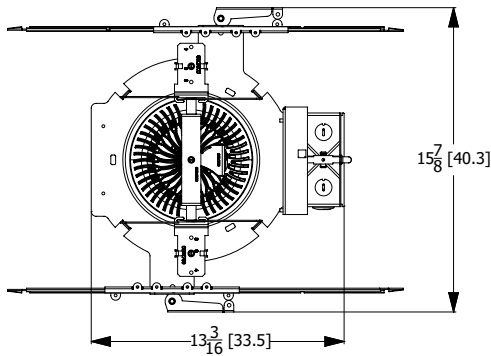
**EXAMPLE: EVO 35/10 6AR MWD LSS MVOLT EZ1**

Series	Color temperature	Nominal lumen values	Aperture/Trim color	Trim Style	Distribution	Finish	Voltage
<b>EVO</b>	<b>27/</b> 2700 K	<b>10</b> 1000 lumens	<b>6AR</b> Clear	(blank) Self-flanged	<b>VND</b> Very narrow (0.5 s/mh) <b>ND</b> Narrow (0.7 s/mh) <b>MD</b> Medium (0.9 s/mh) <b>MWD</b> Medium wide (1.0 s/mh) <b>WD</b> Wide (1.2 s/mh)	<b>LSS</b> Semi-specular <b>LD</b> Matte-diffuse <b>LS</b> Specular	<b>MVOLT</b> <b>120</b> <b>277</b> <b>347<sup>2</sup></b>
	<b>30/</b> 3000 K	<b>15</b> 1500 lumens	<b>6PR</b> Pewter	<b>FL</b> Flangeless			
	<b>35/</b> 3500 K	<b>20</b> 2000 lumens	<b>6WTR</b> Wheat				
	<b>40/</b> 4000 K	<b>25</b> 2500 lumens	<b>6GR</b> Gold				
	<b>50/</b> 5000 K	<b>30</b> 3000 lumens	<b>6WR<sup>1</sup></b> White				
		<b>35</b> 3500 lumens	<b>6BR<sup>1</sup></b> Black				
		<b>40</b> 4000 lumens	<b>6WRAMF<sup>1</sup></b> White anti-microbial				
		<b>45</b> 4500 lumens					

Driver <sup>3</sup>	Options
<b>EZ10</b> eldoLED 0-10V ECOdrive. Linear dimming to 10% min.	<b>SF</b> Single fuse. Specify 120V or 277V.
<b>EZ1</b> eldoLED 0-10V ECOdrive. Linear dimming to 1% min.	<b>TRW<sup>6</sup></b> White painted flange
<b>EZB</b> eldoLED 0-10V SOLOdrive. Logarithmic dimming to <1%.	<b>TRBL<sup>7</sup></b> Black painted flange
<b>EDAB</b> eldoLED SOLOdrive DALI. Logarithmic dimming to <1%.	<b>EL<sup>8</sup></b> Emergency battery pack with integral test switch
<b>EDXB</b> eldoLED POWERdrive DMX with RDM (remote device management). Square Law dimming to <1%. Includes termination resistor. Refer to <a href="#">DMXR Manual</a> .	<b>ELR<sup>8</sup></b> Emergency battery pack with remote test switch
<b>EXA1</b> XPoint Wireless, eldoLED 0-10V ECOdrive. Linear dimming to 1%. Refer to XPoint tech sheet.	<b>NPS80EZ<sup>5</sup></b> nLight® dimming pack controls 0-10V eldoLED drivers.
<b>EXAB</b> XPoint Wireless, eldoLED 0-10V SOLOdrive. Logarithmic dimming to <1%. Refer to XPoint tech sheet.	<b>NPS80EZER<sup>5,3</sup></b> nLight® dimming pack controls 0-10V eldoLED drivers. ER controls fixtures on emergency circuit.
<b>ECOS2<sup>4,5</sup></b> Lutron® Hi-Lume® 2-wire forward-phase driver. Minimum dimming level 1%. Minimum lumen 1000/Maximum lumen 3000.	<b>BGTD</b> Bodine generator transfer device. Specify 120V or 277V.
<b>ECOS3<sup>4</sup></b> Lutron® Hi-Lume® 3-wire or EcoSystem® dimming driver. Minimum dimming level 1%. Minimum lumen 1000/Maximum lumen 4500.	<b>CRI90</b> High CRI (90+)
	<b>CP<sup>10</sup></b> Chicago plenum. Specify 120V or 277V.
	<b>RRL</b> RELOC®-ready luminaire connectors enable a simple and consistent factory installed option across all ABL luminaire brands. Refer to <a href="#">RRL</a> for complete nomenclature.

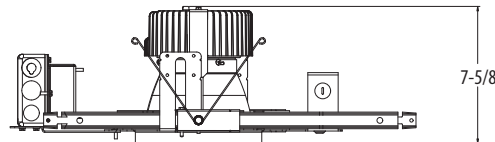
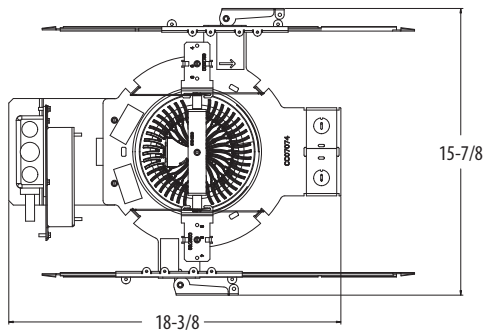
DIMENSIONAL DATA

All dimensions are inches (centimeters) unless otherwise noted.



Aperture: 6-1/4" (15.9)  
 Ceiling Opening: 7-1/8" (18.1) self-flanged  
 7-1/4" (18.4) flangeless  
 Overlap trim: 7-1/2" (19.1)

**DIMENSIONS FOR CHICAGO PLENUM**



ELECTRICAL

WATTAGE CONSUMPTION MATRIX			
LUMENS	LM ACTUAL	WATTAGE	LUMENS per WATT
1000	1,059	11.8	90.1
1500	1,572	18.5	85.0
2000	2,058	23.2	88.9
2500	2,612	29.5	88.5
3000	3,077	36.6	84.1
3500	3,591	42.1	85.3
4000	4,046	48.1	84.2
4500	4,555	46.9	97.1

EMERGENCY LUMEN OUTPUT		
LUMENS	WATTAGE	INITIAL OUTPUT
1000	9.6	1000
1500	9.6	1000
2000	9.6	1000
2500	9.6	1000
3000	9.6	1000
3500	9.6	1000
4000	9.6	1000
4500	9.6	1000

ACCESSORIES

ACCESSORIES order as separate catalog numbers (shipped separately)

- SCA6** Sloped ceiling adapter. Degree of slope must be specified (5D, 10D, 15D, 20D, 25D, 30D). Ex: SCA6 10D. Refer to [TECH-190](#).
- CTA4-8 YK** Ceiling thickness adapter (extends mounting frame to accommodate ceiling thickness up to 5"). Adds ~4" to fixture height.
- GVRT** Vandal-resistant trim accessory. Refer to [TECH-200](#).
- ISD BC** 0-10V wallbox dimmer. Refer to [ISD-BC](#).

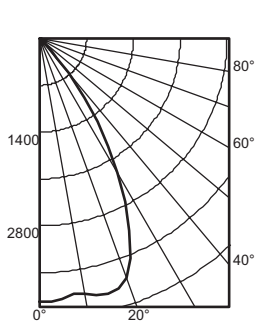
NOTES

**ORDERING NOTES**

1. Not available with finishes.
2. Not available with EL or ELR options.
3. Refer to [TECH-240](#) for compatible dimmers.
4. Not available with nLight® and XPoint options.
5. Specify voltage. ECOS2 not available in 277V.
6. Not available with white reflector. Not applicable with FL option.
7. Not available with black reflector. Not applicable with FL option.
8. For dimensional changes, refer to [TECH-140](#). Not available with 347V.
9. For use with generator supply EM power. Will require an emergency hot feed and normal hot feed.
10. ELR not available. CP & ECOS2 - 3000 lumen max. CP & ECOS3 - 4000 lumen max. CP, ECOS2/ECOS3 & EL - 2000 lumen max.

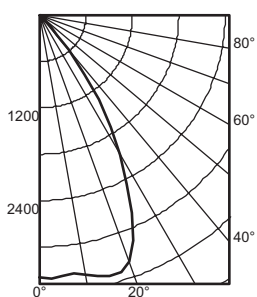
Distribution Curve      Distribution Data      Output Data      Coefficient of Utilization      Illuminance: Single Luminaire 30" Above Floor

**EVO 35/40 6AR LS**      INPUT WATTS: 48.1, DELIVERED LUMENS: 4046, LM/W=84.1 , 1.03 S/MH, TEST NO. LTL27768



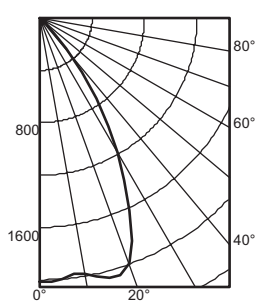
Ave	Lumens	Zone	Lumens	% Lamp	pf pc pw	80%			20%			50%		
						50%	30%	10%	50%	30%	10%	50%	30%	10%
0	3935	0° - 30°	2904.3	71.8	0	119	119	119	116	116	116	111	111	111
5	3901	0° - 40°	3830.0	94.7	1	111	108	106	109	106	104	105	103	101
15	3944	0° - 60°	4043.4	99.9	2	103	99	96	101	98	95	98	95	93
25	3172	0° - 90°	4046.3	100.0	3	96	91	87	95	90	87	92	88	85
35	1508	90° - 180°	0.0	0.0	4	90	84	80	89	84	80	87	82	79
45	221	0° - 180°	4046.3	*100.0	5	84	78	74	83	78	74	81	77	73
55	6			*Efficiency	6	79	73	69	78	73	68	77	72	68
65	2				7	74	68	64	73	68	64	72	67	63
75	1				8	70	64	60	69	63	60	68	63	59
85	0				9	66	60	56	65	60	56	64	59	56
90	0				10	62	56	52	62	56	52	61	56	52

**EVO 35/35 6AR LS**      INPUT WATTS: 42.1, DELIVERED LUMENS: 3591, LM/W=85.3, 1.05 S/MH, TEST NO. LTL27767



Ave	Lumens	Zone	Lumens	% Lamp	pf pc pw	80%			20%			50%		
						50%	30%	10%	50%	30%	10%	50%	30%	10%
0	3400	0° - 30°	2579.3	71.8	0	119	119	119	116	116	116	111	111	111
5	3390	0° - 40°	3399.8	94.7	1	111	108	106	109	106	104	105	103	101
15	3497	0° - 60°	3586.3	99.9	2	103	99	96	101	98	95	98	95	93
25	2830	0° - 90°	3590.5	100.0	3	96	91	87	95	90	87	92	88	85
35	1335	90° - 180°	0.0	0.0	4	90	84	80	89	84	80	87	82	79
45	193	0° - 180°	3590.5	*100.0	5	84	78	74	83	78	74	81	77	73
55	5			*Efficiency	6	79	73	69	78	72	68	77	72	68
65	2				7	74	68	64	73	68	64	72	67	63
75	1				8	70	64	60	69	63	59	68	63	59
85	1				9	66	60	56	65	60	56	64	59	55
90	1				10	62	56	52	62	56	52	61	56	52

**EVO 35/20 6AR LS**      INPUT WATTS: 23.2, DELIVERED LUMENS: 2058, LM/W=88.7, 1.02 S/MH, TEST NO. LTL27777



Ave	Lumens	Zone	Lumens	% Lamp	pf pc pw	80%			20%			50%		
						50%	30%	10%	50%	30%	10%	50%	30%	10%
0	2018	0° - 30°	1498.5	72.8	0	119	119	119	116	116	116	111	111	111
5	1997	0° - 40°	1958.0	95.1	1	111	108	106	109	107	105	105	103	101
15	2053	0° - 60°	2056.6	99.9	2	103	99	96	102	98	95	98	95	93
25	1618	0° - 90°	2058.3	100.0	3	96	92	88	95	91	87	92	89	86
35	749	90° - 180°	0.0	0.0	4	90	85	81	89	84	80	87	83	79
45	105	0° - 180°	2058.3	*100.0	5	84	79	74	83	78	74	82	77	73
55	3			*Efficiency	6	79	73	69	78	73	69	77	72	68
65	1				7	74	68	64	74	68	64	72	67	64
75	0				8	70	64	60	69	64	60	68	63	60
85	0				9	66	60	56	66	60	56	65	60	56
90	0				10	62	57	53	62	56	53	61	56	53

LUMEN OUTPUT MULTIPLIER - CRI	
CRI	FACTOR
80 CRI	1
90 CRI	0.79

LUMEN OUTPUT MULTIPLIER - CCT	
CRI	FACTOR
5000 K	1.101
4000 K	1.035
3500 K	1
3000 K	0.973
2700 K	0.938

LUMEN OUTPUT MULTIPLIER - TRIM FINISH						
FINISH	CLEAR (AR)	PEWTER (PR)	WHEAT (WTR)	GOLD (GR)	WHITE (WR/WRAF)	BLACK (BR)
Specular (LS)	1.00	0.88	0.83	0.95	N/A	N/A
Semi-specular (LSS)	0.95	0.84	0.79	0.90	N/A	N/A
Matte-diffuse (LD)	0.85	0.73	0.69	0.80	N/A	N/A
Paint	N/A	N/A	N/A	N/A	0.87	0.73

**PHOTOMETRY NOTES**

- Tested in accordance with IESNA LM-79-08.
- Tested to current IES and NEMA standards under stabilized laboratory conditions.
- CRI: 85 typical.

**Choose Wall Controls.**

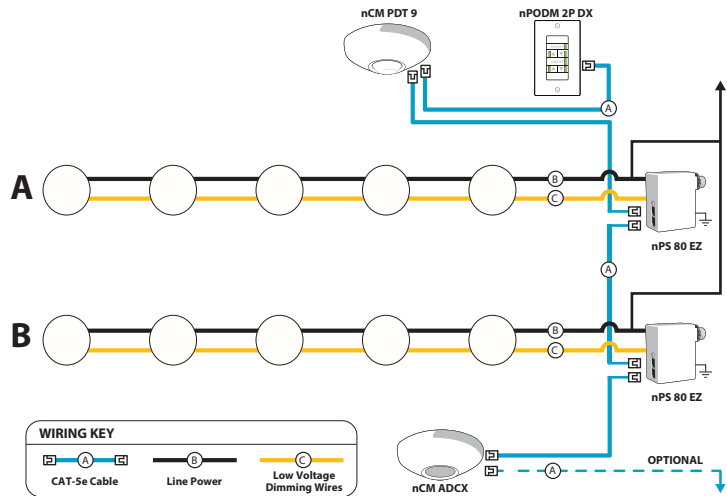
nLIGHT offers multiple styles of wall controls – each with varying features and user experience.



**Push-Button WallPod**  
Traditional tactile buttons and LED user feedback



**Graphic WallPod**  
Full color touch screen provides a sophisticated look and feel



**EXAMPLE**

Group Fixture Control\*

\*Application diagram applies for fixtures with eldoLED drivers only.

- nPS 80 EZ** Dimming/Control Pack (qty 2 required)
- nPODM 2P DX** Dual On/Off/Dim Push-Button WallPod
- nCM ADCX** Daylight Sensor with Automatic Dimming Control
- nCM PDT 9** Dual Technology Occupancy Sensor

**Description:** This design provides a dual on/off/dim wall station that enables manual control of the fixtures in Row A and Row B separately. Additionally, a daylight harvesting sensor is provided so the lights in row B can be configured to dim automatically when daylight is available. An occupancy sensor turns off all lights when the space is vacant.

nLight® Control Accessories:			
Order as separate catalog number. Visit <a href="http://www.sensorswitch.com/nLight">www.sensorswitch.com/nLight</a> for complete listing of nLight controls.			
<b>WallPod stations</b>	<b>Model number</b>	<b>Occupancy sensors</b>	<b>Model number</b>
On/Off	nPODM [color]	Small motion 360°, ceiling (PIR / dual tech)	nCM 9 / nCM PDT 9
On/Off & Raise/Lower	nPODM DX [color]	Large motion 360°, ceiling (PIR / dual tech)	nCM 10 / nCM PDT 10
Graphic Touchscreen	nPOD GFX [color]	Wide view (PIR / dual tech)	nWV 16 / nWV PDT 16
<b>Photocell controls</b>	<b>Model number</b>	Wall Switch w/ Raise/Lower (PIR / dual tech)	nWSX LV DX / nWSX PDT LV DX
Dimming	nCM ADCX	<b>Cat-5 cables (plenum rated)</b>	<b>Model number</b>
		10', CAT5 10FT	CAT5 10FT J1
		15', CAT5 15FT	CAT5 15FT J1

**A+ Capable Luminaire**

This item is an A+ capable luminaire, which has been designed and tested to provide consistent color appearance and out-of-the-box control compatibility with simple commissioning.

- All configurations of this luminaire meet the Acuity Brands' specification for chromatic consistency
- This luminaire is part of an A+ Certified solution for nLight® control networks when ordered with drivers marked by a shaded background\*
- This luminaire is part of an A+ Certified solution for nLight control networks, providing advanced control functionality at the luminaire level, when selection includes driver and control options marked by a shaded background\*

To learn more about A+, visit [www.acuitybrands.com/aplus](http://www.acuitybrands.com/aplus).

\*See ordering tree for details