

Gotham Architectural Downlighting  
Compact Fluorescent Downlights

**6" AF**  
**Open Reflector**

Horizontal Lamp  
Double Twin-Tube

FEATURES

**OPTICAL SYSTEM**

- Self-flanged, semi-specular, matte-diffuse, or specular reflector. Patented Bounding Ray™ Optical Principle design (U.S. Patent No. 5,800,050). Minimum flange matches reflector finish.

**MECHANICAL SYSTEM**

- 16-gauge galvanized steel construction; maximum 2-1/4" ceiling thickness.
- Telescopic mounting bars maximum of 32" and minimum of 15", preinstalled, 4" vertical adjustment.
- Toolless post-installation adjustments.
- Junction box capacity: 8 (4 in, 4 out) 12AWG rated for 90°C.

**ELECTRICAL SYSTEM**

- Horizontally mounted, positive-latch, thermoplastic socket.
- Class P, thermally protected, high-power-factor electronic ballast mounted to the junction box.
- SIMPLY5™ technology available.

**LISTING**

- Fixtures are UL Listed for thru-branch wiring, non-IC recessed mounting and damp locations. Listed and labeled to comply with Canadian standards.

**WARRANTY**

- 1-year limited warranty. Complete warranty terms located at [www.acuitybrands.com/CustomerResources/Terms\\_and\\_conditions.aspx](http://www.acuitybrands.com/CustomerResources/Terms_and_conditions.aspx)

**EXAMPLE: AF 2/18DTT 6AR MVOLT**

Series	Wattage/Lamp	Aperture/Trim color	Finish	Lens type	Voltage	Ballast <sup>3</sup>
AF	1/13DTT	6AR Clear	(blank) Semi-specular	(blank) No lens	MVOLT <sup>2</sup>	(blank) Electronic ballast
	2/13DTT	6PR Pewter	LD Matte-diffuse	CGL Clear glass lens	120	ECOS <sup>2,4</sup> Lutron® EcoSystem® electronic dimming ballast. Minimum dimming level 5%
	1/18DTT	6WTR Wheat		CAL Clear acrylic lens	277	ADEZ <sup>4,5</sup> Advance Mark 10® electronic dimming ballast. Minimum dimming level 5%
	2/18DTT	6BC <sup>1</sup> Black cone		PCL Clear polycarbonate lens	347	ADZT <sup>2</sup> Advance Mark 7® electronic dimming ballast. Minimum dimming level 5%
	1/26DTT	6MB <sup>1</sup> Black baffle		T73 Tempered prismatic lens		
	2/26DTT	6WR <sup>1</sup> White painted		PPC Prismatic polycarbonate lens		
		6WB <sup>1</sup> White baffle		FOL Flat opal lens		

ORDERING INFORMATION

Options

<b>DS</b>	Dual switching	<b>TRBL</b>	Black painted flange
<b>EL<sup>6</sup></b>	Emergency battery pack with integral test switch	<b>RRL<sup>7</sup></b>	RELOC®-ready luminaire. Provides compatibility with Lithonia RELOC system. Access above ceiling required.
<b>ELR<sup>6</sup></b>	Emergency battery pack with remote test switch	<b>HW</b>	Hardwire for S5 system; replaces RELOC®
<b>ELHL<sup>6</sup></b>	High-lumen-output emergency battery pack with integral test switch	<b>CP<sup>8</sup></b>	Chicago plenum
<b>ELRHL<sup>6</sup></b>	High-lumen-output emergency battery pack with remote test switch	<b>BDP<sup>8,9</sup></b>	Ballast disconnect plug
<b>GMF<sup>5</sup></b>	Single, slow-blow fuse	<b>NEPP</b>	Interface for Sensor Switch® nLight® network with integral power supply. Refer to TN-623-01.
<b>GLR<sup>5</sup></b>	Single, fast-blow fuse	<b>WL</b>	Wet location; lens required
<b>WLP</b>	With 3500 K lamp (shipped separately)	<b>WRL<sup>10</sup></b>	Wattage restriction label
<b>TRW</b>	White painted flange (standard on MB and WB)	<b>TWS</b>	Twist lock socket

ACCESSORIES order as separate catalog numbers (shipped separately)

**SCA6** Sloped ceiling adapter. Degree of slope must be specified (10D, 15D, 20D, 25D, 30D). Ex: SCA6 10D.

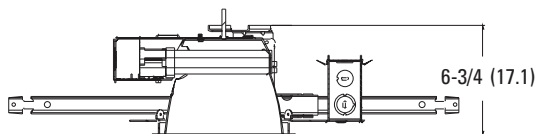
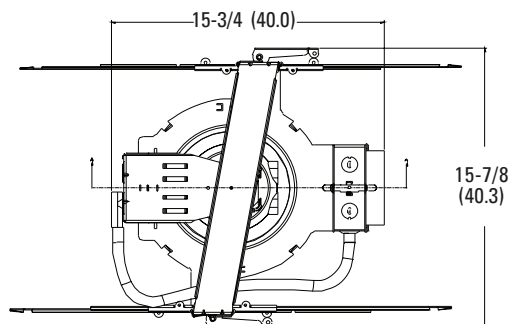
**6" AF**  
**Open Reflector**

Horizontal Lamp, Double Twin-Tube



DIMENSIONAL DATA

All dimensions are inches (centimeters) unless otherwise noted.



- Aperture: 6-1/4 (15.9)
- Ceiling opening: 7-1/8 (18.1)
- Overlap trim: 7-5/8 (19.4)
- Lens recess: 1-3/4 (4.4)

ELECTRICAL

ENERGY (Calculated in accordance with NEMA standard LE-5A)					
LER.DOL	Annual* Energy Cost	Lamps	Lamp Lumens	Ballast Factor	Input Watts
44	\$5.51	(2) 18W DTT	2500	0.98	38
40	\$6.08	(2) 26W DTT	3200	1.00	55

\*Comparative yearly lighting energy cost per 1000 lumens

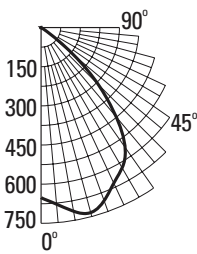
NOTES

**ORDERING NOTES**

1. Not available with finishes.
2. Multi-volt electronic ballast capable of operating on any voltage from 120V through 277V, 50 or 60 Hz.
3. For additional ballast types, refer to [TECH-250](#).
4. Not available with 13DDT.
5. Available in 120V or 277V only.
6. For dimensional changes, refer to [TECH-140](#).
7. For compatible RELOC systems, refer to [TECH-110](#).
8. Not available with emergency options.
9. Meets codes that require in-fixture disconnect.
10. Must specify wattage. EX.:WRL32

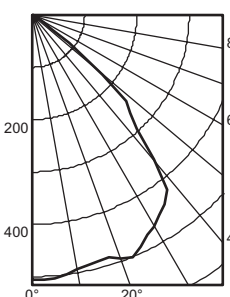
Distribution Curve    Distribution Data    Output Data    Coefficient of Utilization    Illuminance: Single Luminaire 30" Above Floor

**AF 2/18DTT 6AR**    (2) CF18DD/E/835 LAMP, 2500 TOTAL RATED LUMENS, 1.4 S/MH, TEST NO. LTL10964



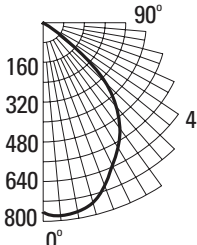
From 0°	cp.	Lumens	Zone	Lumens	%lamp	pf	Coefficient of Utilization						Mount height	Initial fc at beam center	50% beam angle 67.9°		10% beam angle 97.6°		
							pc	80%		20%		50%			Beam diameter	fc at beam edge	Beam diameter	fc at beam edge	
								pw	50%	30%	50%	30%							50%
0°	652	0	0°-30°	576	23.0	0	53	51	52	50	50	49	8'	21.6	7.4'	10.8	12.6'	2.2	
5°	679	66	0°-40°	915	36.6	1	48	46	47	45	46	44	10'	11.6	10.1'	5.8	17.1'	1.2	
15°	734	206	0°-60°	1203	48.1	2	44	41	43	41	42	40	12'	7.2	12.8'	3.6	21.7'	0.7	
25°	658	304	0°-90°	1205	48.2	3	40	37	40	37	39	36	14'	4.9	15.5'	2.5	26.3'	0.5	
35°	561	339	90°-180°	0	0.0	4	37	34	37	34	36	33	16'	3.6	18.2'	1.8	30.9'	0.4	
45°	312	240	0°-180°	1205	48.2*	5	34	31	34	31	33	30							
55°	38	48				6	32	28	31	28	31	28							
65°	1	2				7	29	26	29	26	28	25							
75°	0	0				8	27	24	27	24	26	23							
85°	0	0				9	25	22	25	22	25	22							
90°	0	0				10													

**AF 1/26DTT 6AR**    (1) CF26DTT LAMP, 1825 TOTAL RATED LUMENS, 1.4 S/MH, TEST NO. LTL17856



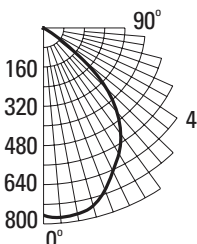
From 0°	Ave Lumens	Zone	Lumens	% Lamp	pf	Coefficient of Utilization						Mounting Height	Initial FC Center	50% beam - 68.3°		10% beam - 99.2°			
						pc	80%		20%		50%			Beam	Diameter	FC	Diameter	FC	
							pw	50%	30%	10%	50%								30%
0	505	0°-30°	411.1	22.5	0	62	62	62	61	61	61	58	58	58					
5	506	0°-40°	681.6	37.3	1	57	55	54	56	54	53	54	52	51					
15	487	0°-60°	942.4	51.6	2	52	49	47	51	48	47	49	47	45					
25	490	0°-90°	950.2	52.1	3	47	44	41	46	43	41	45	42	40					
35	441	90°-180°	0.0	0.0	4	43	39	37	42	39	37	41	38	36					
45	263	0°-180°	950.2	*52.1	5	39	36	33	39	35	33	38	35	32					
55	47				6	36	32	29	35	32	29	35	31	29					
65	5				7	33	29	27	33	29	26	32	29	26					
75	1				8	30	27	24	30	27	24	29	26	24					
85	0				9	28	24	22	28	24	22	27	24	22					
90	0				10	26	22	20	26	22	20	25	22	20					

**AF 2/26DTT 6MB**    (2) CF26DD/E/835 LAMP, 3600 TOTAL RATED LUMENS, 1.2 S/MH, TEST NO. LTL7796



From 0°	cp.	Lumens	Zone	Lumens	%lamp	pf	Coefficient of Utilization						Mount height	Initial fc at beam center	50% beam angle 59.4°		10% beam angle 97.4°		
							pc	80%		20%		50%			Beam diameter	fc at beam edge	Beam diameter	fc at beam edge	
								pw	50%	30%	50%	30%							50%
0°	762	0	0°-30°	576	16.0	1	38	37	37	36	36	35	8'	25.2	6.3'	12.6	12.5'	2.5	
5°	780	74	0°-40°	900	25.0	2	34	33	34	32	33	31	10'	13.5	8.5'	6.8	17.1'	1.4	
15°	749	209	0°-60°	1239	34.4	3	31	29	31	29	30	28	12'	8.4	10.8'	4.2	21.6'	0.8	
25°	635	293	0°-90°	1241	34.5	4	29	26	28	26	28	26	14'	5.8	13.1'	2.9	26.2'	0.6	
35°	518	323	90°-180°	0	0.0	5	26	24	26	24	25	23	16'	4.2	15.4'	2.1	30.7'	0.4	
45°	345	264	0°-180°	1241	34.5*	6	24	22	24	22	23	21							
55°	65	75				7	22	20	22	20	22	19							
65°	2	2				8	21	18	20	18	20	18							
75°	0	0				9	19	17	19	17	19	16							
85°	0	0				10	18	15	18	15	17	15							
90°	0	0																	

**AF 2/26DTT 6BC**    (1) CF26DD/E/835 LAMP, 3600 TOTAL RATED LUMENS, 1.2 S/MH, TEST NO. LTL7795



From 0°	cp.	Lumens	Zone	Lumens	%lamp	pf	Coefficient of Utilization						Mount height	Initial fc at beam center	50% beam angle 60.1°		10% beam angle 97.7°		
							pc	80%		20%		50%			Beam diameter	fc at beam edge	Beam diameter	fc at beam edge	
								pw	50%	30%	50%	30%							50%
0°	764	0	0°-30°	583	16.2	1	38	37	38	37	36	35	8'	25.3	6.4'	12.6	12.6'	2.5	
5°	776	74	0°-40°	912	25.3	2	35	33	34	33	33	32	10'	13.6	8.7'	6.8	17.2'	1.4	
15°	752	211	0°-60°	1259	35.0	3	32	30	31	29	30	29	12'	8.5	11.0'	4.2	21.7'	0.8	
25°	645	297	0°-90°	1262	35.0	4	29	27	29	27	28	26	14'	5.8	13.3'	2.9	26.3'	0.6	
35°	529	329	90°-180°	0	0.0	5	27	24	26	24	26	24	16'	4.2	15.6'	2.1	30.9'	0.4	
45°	350	269	0°-180°	1262	35.0*	6	25	22	24	22	24	22							
55°	69	78				7	23	20	22	20	22	20							
65°	2	3				8	21	18	21	18	20	18							
75°	0	0				9	19	17	19	17	19	17							
85°	0	0				10	18	16	18	16	18	15							
90°	0	0																	

PHOTOMETRY NOTES

- Tested to current IES and NEMA standards under stabilized laboratory conditions.
- Actual performance may differ as a result of end-user environment and application.
- Consult factory or IES file for microgroove baffle, black cone or other photometric reports.