

Catalog Number	
Notes	Type

FEATURES & SPECIFICATIONS

INTENDED USE

The Quick-Flex Splitter separates the branch circuit into two directions. The QS is a male/female component that can be used anywhere throughout the Quick-Flex system.

ELECTRICAL

- Rated for use on 20-amp branch circuits.
- All conductors are No. 12 AWG copper with -20°C to +90°C thermoplastic insulation rated 600V.
- All components provide a fully rated No. 12 AWG grounding conductor.
- Safety-keying prevents accidental mating of components with different voltages.

SYSTEM FEATURES

- Pin and socket contacts.
- Color-coded labels for quick voltage identification.
- Dustcover available for unused ports: QUICK FLEX DUST COVER J50.
- Plenum rated.

LISTINGS

- UL Listed to US and Canadian Safty Standards.
- Built to UL Standard 183 for Manufactured Wiring Systems and suitable for air-handling spaces above grid ceiling as described in NEC 300.22(C).
- U.S Patent Nos. 6,083,053; 6,102,733; 6,113,435; 6,126,490; 7,021,961.

WARRANTY

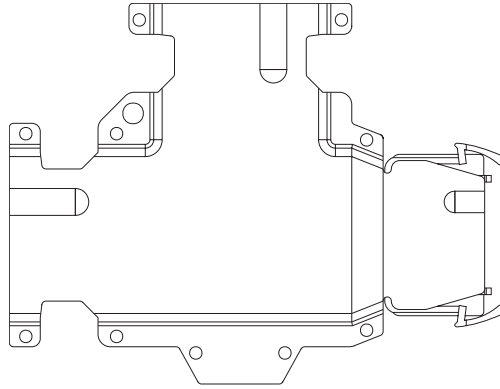
- 5-year limited warranty. Complete warranty terms located at www.acuitybrands.com/CustomerResources/Terms_and_conditions.aspx

Actual performance may differ as a result of end-user environment and application.
Note: Specifications subject to change without notice.

Quick-Flex® Splitter

RECESSED CEILING LIGHTING SYSTEM

QS



QUICK-FLEX™

ORDERING LOGIC

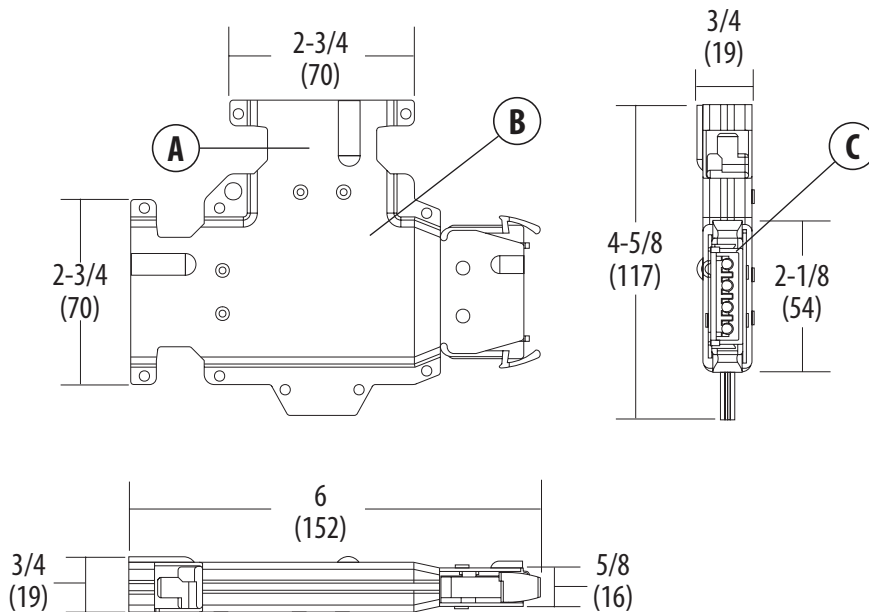
Example: QS120 12/3G

For shortest lead times, configure product using **bolded options**.

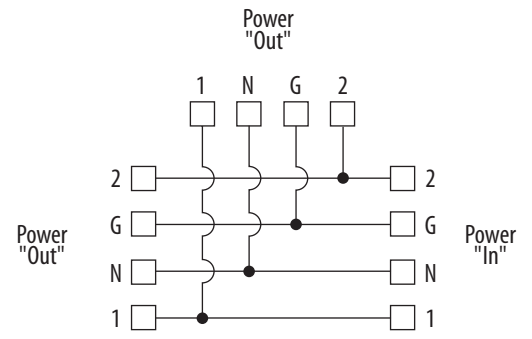
Series	Voltage	Conductors
QS	120 120V 277 277V 347 347V	12/3G Three 12 AWG conductors, plus 12 AWG ground

DIMENSIONS

Dimensions are shown in inches (millimeters)



WIRING SCHEMATICS



- A – Connector body
- B – 18-gauge galvanized steel cover, zinc alloy casting
- C – Tin-plated brass contacts

SYSTEM VIEW

System View designs are for illustrative purposes only.

