

Gotham Architectural Downlighting
Compact Fluorescent Downlights

8" AFZ
Cross Baffle Trim

Low Profile
Double Twin-Tube

FEATURES

OPTICAL SYSTEM

- Specular clear upper reflector.
- Self-flanged semi-specular or matte-diffuse cross baffle reflector. Symmetric baffle design provides precise shielding and brightness control. Minimum flange matches reflector finish.
- Optical system retained by self-align, torsion support springs.

MECHANICAL SYSTEM

- 16-gauge galvanized steel construction; maximum 7/8" ceiling thickness.
- Telescopic mounting bars maximum of 32" and minimum of 15", preinstalled, 4" vertical adjustment.
- Toolless post-installation adjustments.
- Junction box capacity: 8 (4 in, 4 out) 12AWG rated for 90°C.

ELECTRICAL SYSTEM

- Die-cast aluminum socket housing. Ventilated top for effective heat dissipation.
- Horizontally mounted, four-pin, positive latch, thermoplastic sockets.
- Class P, thermally protected, high-power-factor electronic ballast mounted to the junction box.
- SIMPLY5™ technology available.

LISTING

- Fixtures are UL Listed for thru-branch wiring, non-IC recessed mounting and damp locations. Listed and labeled to comply with Canadian standards.

WARRANTY

- 1-year limited warranty. Complete warranty terms located at www.acuitybrands.com/CustomerResources/Terms_and_conditions.aspx

ORDERING INFORMATION

EXAMPLE: AFZ 2/18DTT 84A MVOLT

Series	Wattage/Lamp	Aperture/Trim color	Finish	Voltage	Ballast ³
AFZ	2/13DTT	84A Clear	(blank) Semi-specular	MVOLT ²	(blank) Electronic ballast
	2/18DTT	84P Pewter	LD Matte-diffuse	120	ECOS ^{2,4} Lutron® EcoSystem® electronic dimming ballast. Minimum dimming level 5%
	2/26DTT	84WT Wheat		277	ADEZ ^{4,5} Advance Mark 10® electronic dimming ballast. Minimum dimming level 5%
		84W ¹ White painted		347	ADZT ² Advance Mark 7® electronic dimming ballast. Minimum dimming level 5%

Options

WLP	With 3500 K lamp (shipped separately)	GSKT	Foam gasketing
TRW	White painted flange	RRL⁷	RELOC®-ready Luminaire. Provides compatibility with Lithonia RELOC system. Access above ceiling required.
TRBL	Black painted flange	BDP⁸	Ballast disconnect plug
ELR^{5,6}	Emergency battery pack with remote test switch	NEPP	Interface for Sensor Switch® nLight® network with integral power supply. Refer to TN-623-01.
ELRHL^{5,6}	High-lumen-output emergency battery pack with remote test switch	HW	Hardwire for S5 system; replaces RELOC®
GMF⁵	Single, slow-blow fuse	WRL⁹	Wattage restriction label
GLR⁵	Single, fast-blow fuse	TWS	Twist lock socket

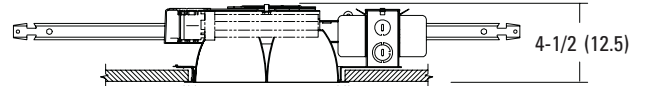
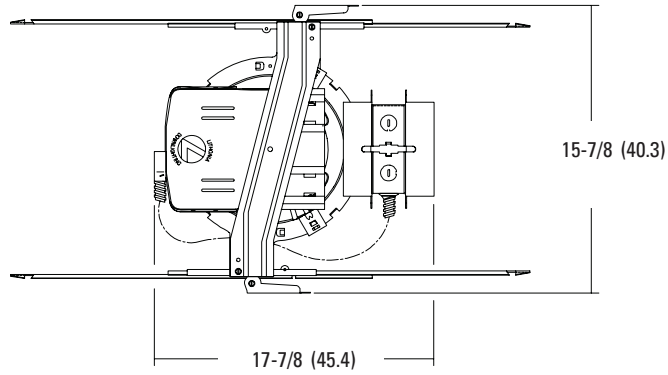
NOTES

ORDERING NOTES

1. Not available with finishes.
2. Multi-volt electronic ballast capable of operating on any voltage from 120V through 277V, 50 or 60 Hz.
3. For additional ballast types, refer to [TECH-250](#).
4. Not available with 13DTT.
5. Available in 120V or 277V only.
6. For dimensional changes, refer to [TECH-140](#).
7. For compatible RELOC systems, refer to [TECH-110](#).
8. Meets codes that require in-fixture disconnect.
9. Must specify wattage. Ex.: WRL18

DIMENSIONAL DATA

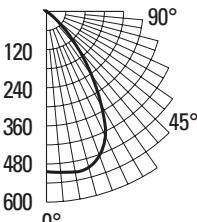
All dimensions are inches (centimeters) unless otherwise noted.



Aperture: 8 (20.3)
 Ceiling opening: 8-5/8 (21.9)
 Overlap trim: 9-1/8 (23.2)

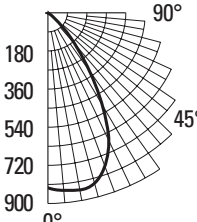
Distribution Curve Distribution Data Output Data Coefficient of Utilization Illuminance: Single Luminaire 30" Above Floor

AFZ 2/13DTT 84A (2) 13W F13DTT/27K LAMP, 1.3 S/MH, 1720 RATED LUMENS, TEST NO. 2193090903



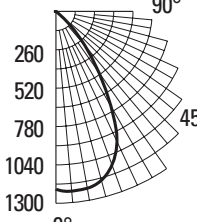
From 0°	cp.	Lumens	Zone	Lumens	%lamp	ρf ρc ρw	80%		20%		50%		Mount height	Initial fc at beam center	50% beam angle 57.4°		10% beam angle 84.6°	
							50%	30%	50%	30%	50%	30%			Beam diameter	fc at beam edge	Beam diameter	fc at beam edge
0°	504		0°-30°	387	22.51	1	40	40	40	39	38	38	8'	16.7	6.0'	8.3	10.0'	1.7
5°	508	49	0°-40°	543	31.58	2	38	37	37	36	36	35	10'	9.0	8.2'	4.5	13.7'	0.9
15°	508	143	0°-60°	620	36.06	3	36	34	35	34	34	33	12'	5.6	10.4'	2.8	17.3'	0.6
25°	433	196	0°-90°	620	36.06	4	34	32	33	32	32	31	14'	3.8	12.6'	1.9	20.9'	0.4
35°	243	156	90°-180°	0	0.0	5	32	30	31	29	31	29	16'	2.8	14.8'	1.4	24.6'	0.3
45°	86	70	0°-180°	620	36.06*	6	30	28	29	28	29	27						
55°	4	8				7	28	26	28	26	27	25						
65°	0	1	*Efficiency			8	26	24	26	24	25	24						
75°	0	1				9	24	22	24	22	24	22						
85°	0	0				10	23	21	23	21	22	21						
90°	0	0																

AFZ 2/18DTT 84A (2) 18W F18DTT/27K LAMP, 1.1 S/MH, 2400 RATED LUMENS, TEST NO. 2193090904



From 0°	cp.	Lumens	Zone	Lumens	%lamp	ρf ρc ρw	80%		20%		50%		Mount height	Initial fc at beam center	50% beam angle 54.9°		10% beam angle 81.6°	
							50%	30%	50%	30%	50%	30%			Beam diameter	fc at beam edge	Beam diameter	fc at beam edge
0°	826		0°-30°	614	25.60	1	43	42	42	42	41	40	8'	27.3	5.7'	13.7	9.5'	2.7
5°	841	81	0°-40°	829	34.56	2	41	39	40	39	39	38	10'	14.7	7.8'	7.3	13.0'	1.5
15°	833	234	0°-60°	923	38.49	3	38	37	38	36	37	36	12'	9.2	9.9'	4.6	16.4'	0.9
25°	666	302	0°-90°	923	38.49	4	36	34	36	34	35	34	14'	6.3	11.9'	3.1	19.9'	0.6
35°	332	216	90°-180°	0	0.0	5	34	32	34	32	33	31	16'	4.5	14.0'	2.3	23.3'	0.5
45°	102	86	0°-180°	923	38.49*	6	32	30	32	30	31	30						
55°	4	9	*Efficiency			7	30	28	30	28	30	28						
65°	0	1				8	29	27	28	26	28	26						
75°	0	1				9	27	25	27	25	26	25						
85°	0	0				10	25	23	25	23	25	23						
90°	0	0																

AFZ 2/26DTT 84A (2) 26W F26DTT/D835 LAMP, 1.1 S/MH, 3600 RATED LUMENS, TEST NO. 2193092406



From 0°	cp.	Lumens	Zone	Lumens	%lamp	ρf ρc ρw	80%		20%		50%		Mount height	Initial fc at beam center	50% beam angle 55.2°		10% beam angle 81.8°	
							50%	30%	50%	30%	50%	30%			Beam diameter	fc at beam edge	Beam diameter	fc at beam edge
0°	1204		0°-30°	889	24.71	1	42	41	41	41	40	39	8'	39.8	5.8'	19.9	9.5'	4.0
5°	1222	117	0°-40°	1212	33.69	2	40	38	39	38	38	37	10'	21.4	7.8'	10.7	13.0'	2.1
15°	1185	333	0°-60°	1357	37.70	3	37	36	37	35	36	35	12'	13.3	9.9'	6.7	16.4'	1.3
25°	974	441	0°-90°	1357	37.70	4	35	34	35	33	34	33	14'	9.1	12.0'	4.6	19.9'	0.9
35°	502	324	90°-180°	0	0.0	5	33	31	33	31	32	31	16'	6.6	14.1'	3.3	23.4'	0.7
45°	152	129	0°-180°	1357	37.70*	6	31	29	31	29	31	29						
55°	10	17	*Efficiency			7	30	28	29	27	29	27						
65°	0	1				8	28	26	28	26	27	25						
75°	0	1				9	26	24	26	24	26	24						
85°	0	1				10	25	23	24	23	24	22						
90°	0	0																

PHOTOMETRY NOTES

- Tested to current IES and NEMA standards under stabilized laboratory condition.
- Actual performance may differ as a result of end-user environment and application.
- Consult factory or IES file for microgroove baffle, black cone or other photometric reports.